

metal hood

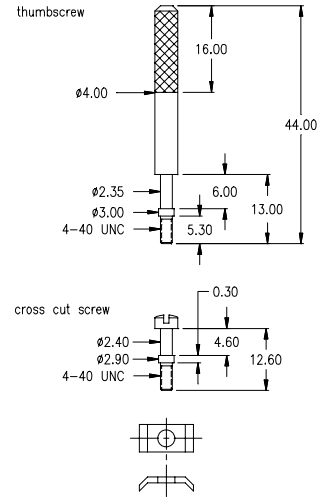
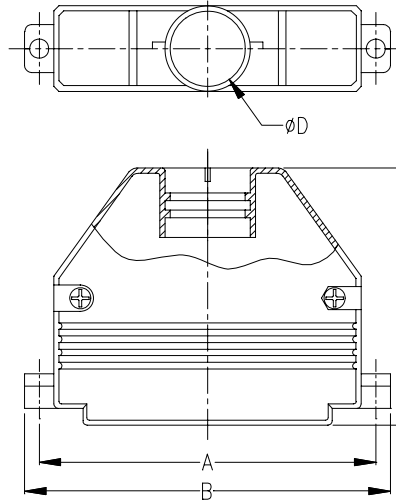
materials *RoHS compliant*

hood: zinc alloy Nickel plated

screw: steel

Please ask for detail drawing each type.

Dimension				D-Sub contacts
A	B	C	D	
24.99	31.00	47.00	7.00	009 / 015 (HD)
33.32	40.00	48.20	10.00	015 / 026 (HD)
47.04	53.30	48.70	14.00	025 / 044 (HD)
63.50	69.00	48.60	14.00	037 / 062 (HD)
61.11	67.00	48.30	14.00	050 / 078 (HD)



Ordering Code

HSM - xxx - S xxx - xx Z

<p>Size Code</p> <p>009 = 9-pole Std. / 15-pole HD 015 = 15-pole Std. / 26-pole HD 025 = 25-pole Std. / 44-pole HD 037 = 37-pole Std. / 62-pole HD 050 = 50-pole Std. / 78-pole HD</p>	<p>screw type</p> <p>101 = cross cut screw not available for 90° cable exit 102 = thumbscrew</p> <p>others on request</p>	<p>cable exit</p> <p>00 = straight 90 = 90°</p> <p>with Rubber grommet: 0R = straight 9R = 90°</p> <p>90° cable exit only for size code 009/H15 015/H26 025/H44</p>
--	---	--

plastic hood

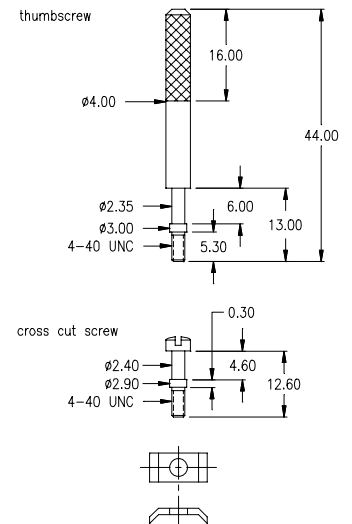
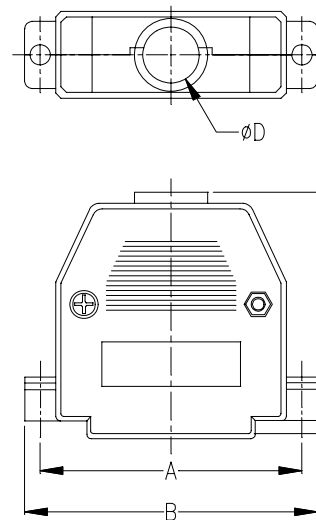
materials *RoHS compliant*

hood: PBT UL 94-V0

screw: steel

Please ask for detail drawing each type.

Dimension				D-Sub contacts
A	B	C	D	
24.99	30.80	40.50	7.00	009 / 015 (HD)
33.32	39.70	38.80	9.70	015 / 026 (HD)
47.04	55.00	44.50	14.00	025 / 044 (HD)
63.50	69.00	52.50	14.00	037 / 062 (HD)
61.11	67.00	48.30	14.00	050 / 078 (HD)



Ordering Code

HS X - xxx - S xxx - xx Z

<p>colour / type</p> <p>B = black G = grey C = chromated</p> <p>others on request</p>	<p>Size Code</p> <p>009 = 9-pole Std. / 15-pole HD 015 = 15-pole Std. / 26-pole HD 025 = 25-pole Std. / 44-pole HD 037 = 37-pole Std. / 62-pole HD 050 = 50-pole Std. / 78-pole HD</p>	<p>screw type</p> <p>101 = cross cut screw not available for 45° cable exit 102 = thumbscrew</p> <p>others on request</p>	<p>cable exit</p> <p>00 = straight 45 = 45°</p>
--	--	---	---