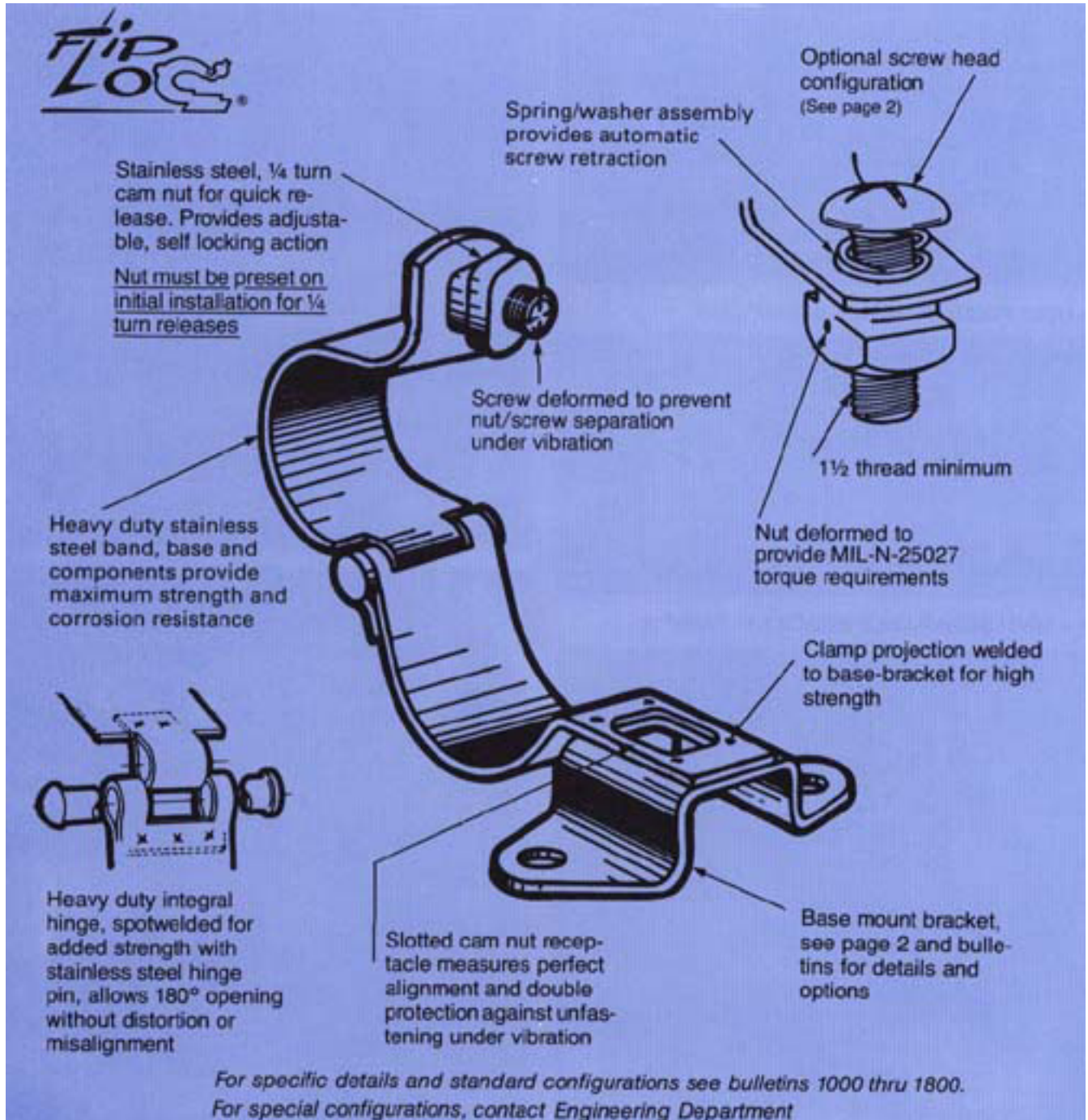
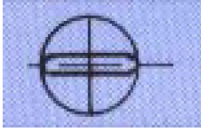
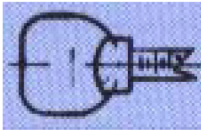
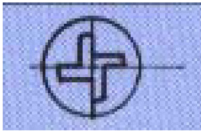
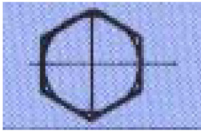





Bulletin 1000A: Flip-Loc® Assembly Details and Components

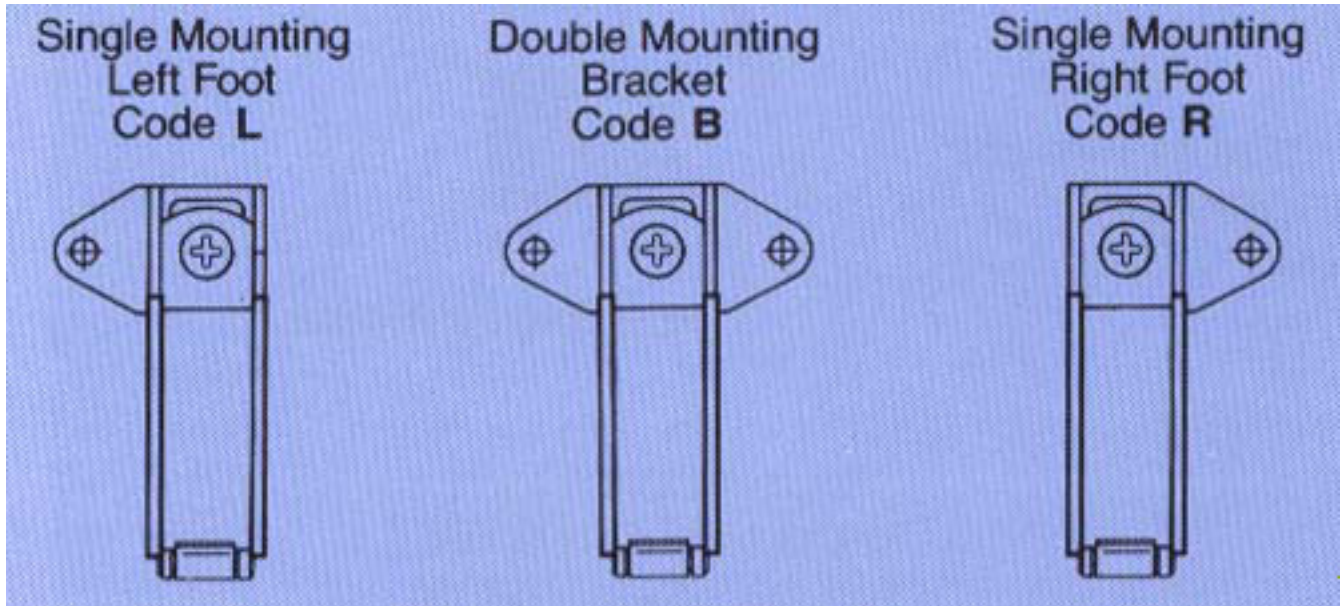


Flip-Loc® Screw Options

Code	Screw Style	Thread Size	TA Part-Ref	Material
-00 -00	 Phillips head Phillips head	.190-32-2A .250-28-2A	TA06F01A TA06F01B	Stainless Steel Stainless Steel
-01 -01	 Slotted head Slotted head	.190-32-2A .250-28-2A	TA06F03A TA06F03B	Stainless Steel Stainless Steel
-02 -02	 Thumb screw Thumb screw	.190-32-2A .250-28-2A	TA06F04 TA06F10	Stainless Steel Stainless Steel
-03 -03	 Torque set head Torque set head	.190-32-3A .250-28-3A	TA06F12A TA06F12B	A286 A286
-04 -04	 Hexagonal head Hexagonal head	.190-32-3A .250-28-3A	TA06F06A TA06F06B	Stainless Steel Stainless Steel
-05 -05	 Hexagonal socket Hexagonal socket	.190-32-3A .250-28-3A	TA06F05A TA06F05B	Stainless Steel Stainless Steel
-06 -06	 Tri-wing hexagonal head Tri-wing hexagonal head	.190-32-3A .250-28-3A	TA06F09A TA06F09B	A286 A286
-07 -07	 Double hexagonal head Double hexagonal head	.190-32-3A .250-28-3A	TA06F11A TA06F11B	Stainless Steel Stainless Steel

Dimensions in inches.

Flip-Loc® Fixed Bracket Variations



Flip-Loc® Separable Bracket

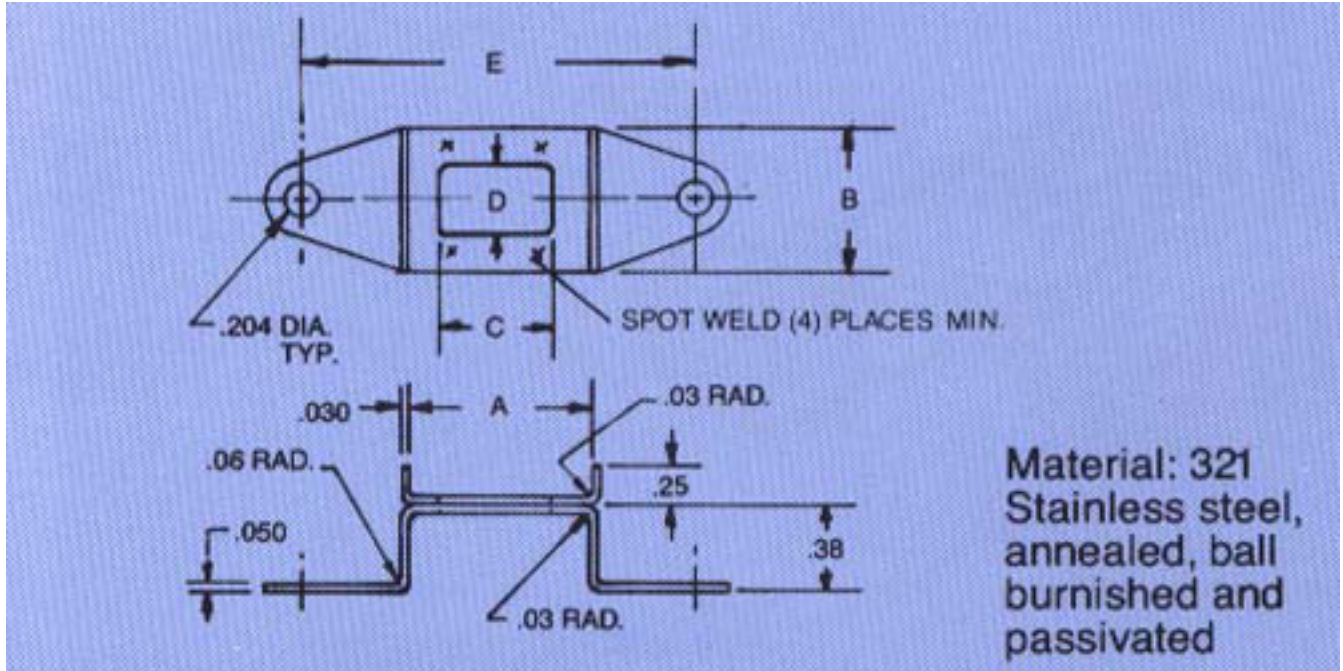


Diagram ID ▶	A	B	C	D	E
Tolerances ▶	+/- .015 - .000	+/- .015	+/- .030 - .000	+/- .030 - .000	+/- .015
Code Number					
-01	.51	.75	.53	.30	1.25
-02	.63	.81	.59	.38	1.75
-03	.76	.81	.59	.38	1.75
-04	1.01	.81	.59	.38	1.75

Part Numbering System

ex: TA05F1804 = Separable Bracket for 1" Wide Clamp

Breakdown:

Part number shown below is separated for clarity. When ordering, do not show spaces.

TA05F18 04

TA05F18= Basic Part Number
04 = Code (From Above)

Flip-Loc® Separable Bracket – TA05F23

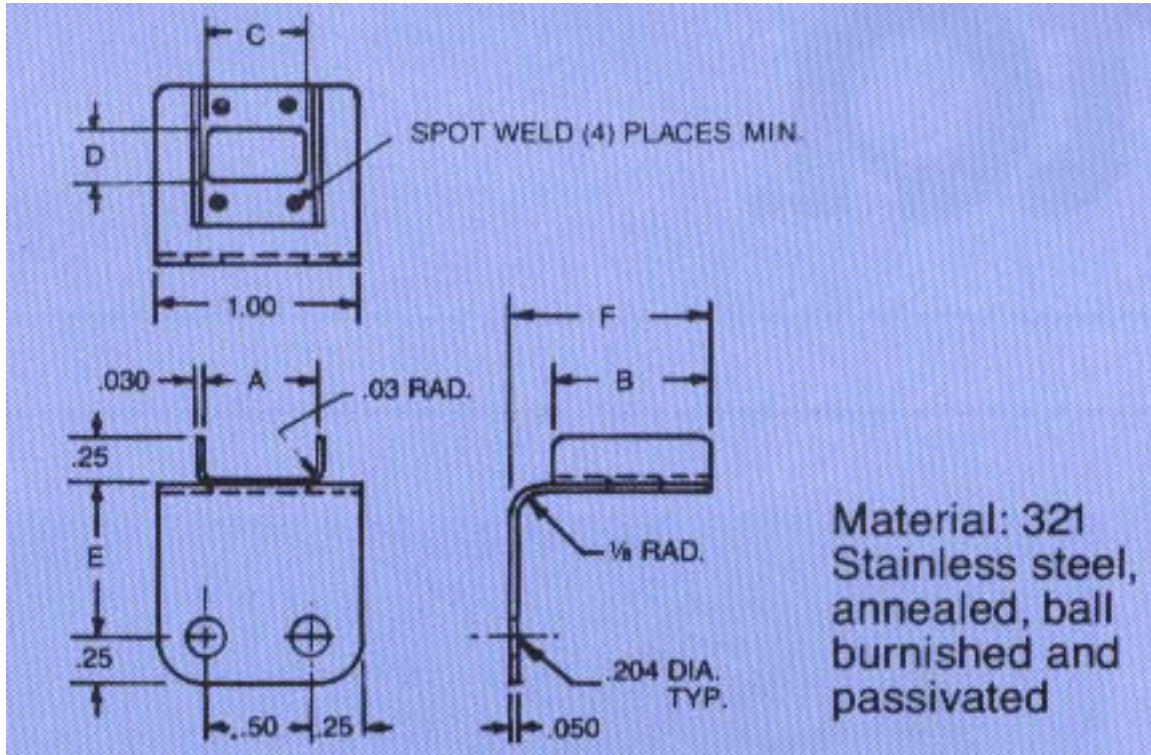


Diagram ID ▶	A	B	C	D	E	F
Tolerances ▶	+/- .015 - .000	+/- .015	+/- .030 - .000	+/- .030 - .000	Min.	Min.
Code Number						
-01	.51	.75	.53	.30	.06	12
-02	.53	.81	.59	.38	.08	12
-03	.76	.81	.59	.38	.08	13
-04	1.01	.81	.59	.38	.08	13

Part Numbering System

ex: TA05F23021012 = Separable Bracket 5/8" Wide Clamp

Breakdown:

Part number shown below is separated for clarity. When ordering, do not show spaces.

TA05F23 02 10 12

- TA05F23 = Basic Part Number
- 02 = Code (From above)
- 10 = E Leg in 1/16" Increments (Show as a minimum of 2 digits)
- 12 = F Leg in 1/16" Increments (Show as a minimum of 2 digits)

Flip-Loc® Separable Bracket – TA05F25

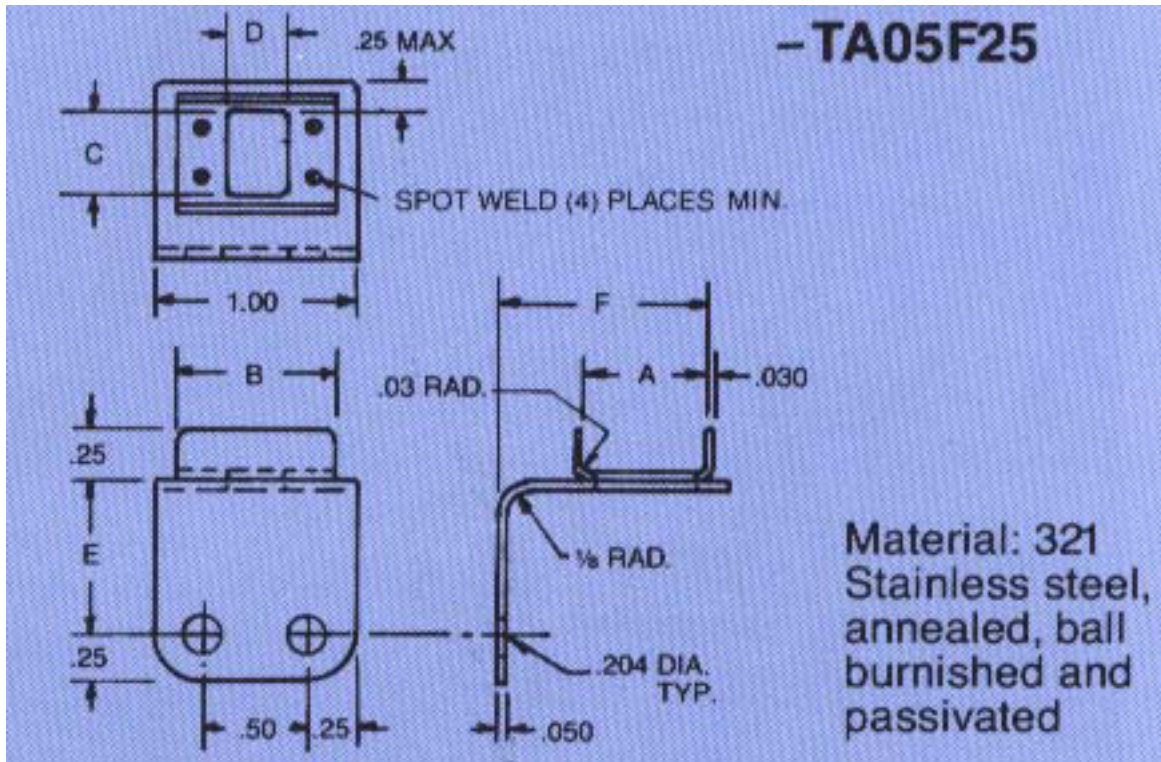


Diagram ID ▶	A	B	C	D	E	F
Tolerances ▶	+/- .015 - .000	+/- .015	+/- .030 - .000	+/- .030 - .000	Min.	Min.
Code Number						
-01	.51	.75	.53	.30	.06	10
-02	.63	.81	.59	.38	.08	12
-03	.76	.81	.59	.38	.08	14
-04	1.01	.81	.59	.38	.08	18

Part Numbering System

ex: TA05F25021012 = Separable Bracket 5/8" Wide Clamp

Breakdown:

Part number shown below is separated for clarity. When ordering, do not show spaces.

TA05F25 02 10 12

- TA05F25 = Basic Part Number
- 02 = Code (From above)
- 10 = E Leg in 1/16" Increments (Show as a minimum of 2 digits)
- 12 = F Leg in 1/16" Increments (Show as a minimum of 2 digits)