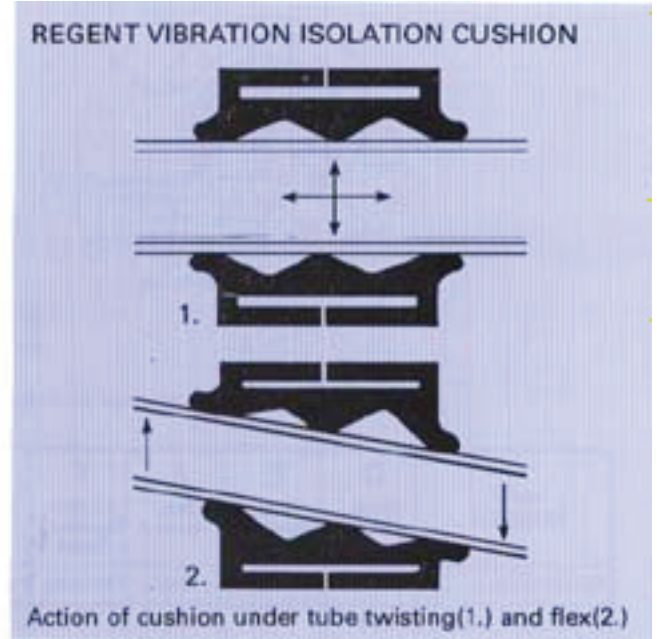


Bulletin 280: Clamp, Single Loop Vibration Isolation



Part Numbering System

ex: **TA028000PHL16HC** = Loop clamp, 17-7PH band with HC3 cushion for 1.00 diameter tube.

Breakdown:

Part number shown below is separated for clarity. When ordering, do not show spaces.

TA028000 PH L 16 HC

- TA028000 = Basic Part Number
- PH = Metal Identification. Available in DO, DA, DC, HO, PH. See Bulletin 120 for physical properties
- L = Snap-Loc (Optional). See Bulletin 130. (Omit if not required)
- 16 = Diameter in 1/16" Increments
- HB = Cushion Identification. Available in HA, HB, HC, EP, NB, WC, WG. See Bulletin 120 for physical properties.

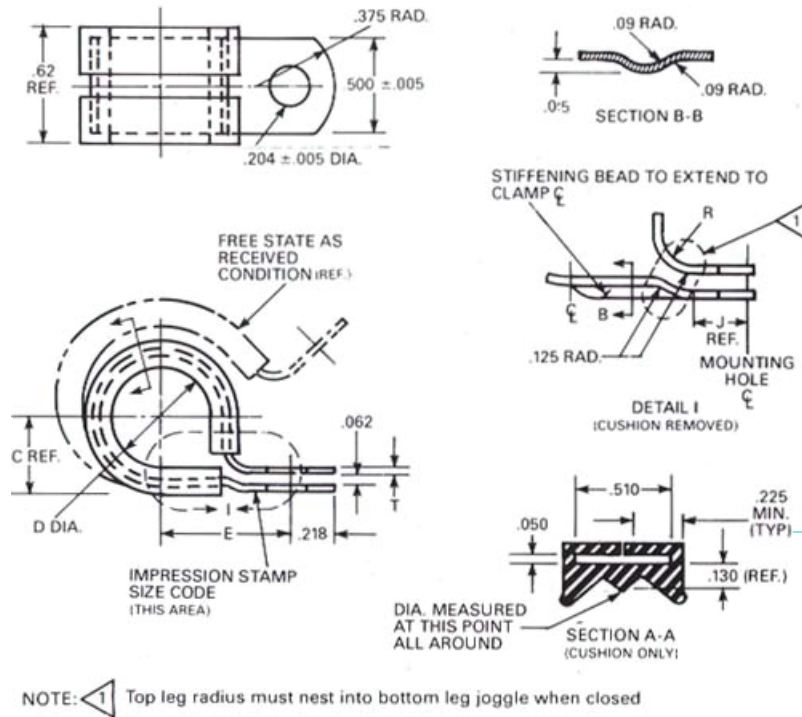


Diagram ID	Nom. Diameter	Dim.		17-7PH		17-7PH		Dim.	Rad.	Weight lbs./100 pcs.	
		Stainless Steel	Alum.	Stainless Steel	Alum.	Stainless Steel	Alum.			St. Steel	Alum.
Tolerance +/-		.015	.015	Per Spec.	Per Spec.	Ref.	Ref.	Ref.	.015		
Part Number											
TA028000()06()	.375	D/2+ .495	D/2+ .505	.020	.030	D/2+ .220	D/2+ .230	.235	.090	1.42	.82
TA028000()07()	.438	D/2+ .495	D/2+ .505	.020	.030	D/2+ .220	D/2+ .230	.235	.090	1.53	.90
TA028000()08()	.500	D/2+ .495	D/2+ .505	.020	.030	D/2+ .220	D/2+ .230	.235	.090	1.60	.99
TA028000()09()	.562	D/2+ .550	D/2+ .570	.030	.050	D/2+ .230	D/2+ .250	.256	.125	2.40	1.81
TA028000()10()	.625	D/2+ .550	D/2+ .570	.030	.050	D/2+ .230	D/2+ .250	.256	.125	2.60	1.99
TA028000()11()	.688	D/2+ .550	D/2+ .570	.030	.050	D/2+ .230	D/2+ .250	.256	.125	2.75	2.10
TA028000()12()	.750	D/2+ .550	D/2+ .570	.030	.050	D/2+ .230	D/2+ .250	.256	.125	2.90	2.31
TA028000()13()	.812	D/2+ .550	D/2+ .570	.030	.050	D/2+ .230	D/2+ .250	.256	.125	3.00	2.40
TA028000()14()	.875	D/2+ .550	D/2+ .570	.030	.050	D/2+ .230	D/2+ .250	.256	.125	3.20	2.54
TA028000()15()	.938	D/2+ .550	D/2+ .570	.030	.050	D/2+ .230	D/2+ .250	.256	.125	3.40	2.70
TA028000()16()	1.000	D/2+ .550	D/2+ .570	.030	.050	D/2+ .230	D/2+ .250	.256	.125	3.60	2.87
TA028000()17()	1.062	D/2+ .560	D/2+ .580	.040	.060	D/2+ .240	D/2+ .260	.262	.125	3.90	3.14
TA028000()18()	1.125	D/2+ .560	D/2+ .580	.040	.060	D/2+ .240	D/2+ .260	.262	.125	4.30	3.52
TA028000()19()	1.188	D/2+ .560	D/2+ .580	.040	.060	D/2+ .240	D/2+ .260	.262	.125	4.45	3.61
TA028000()20()	1.250	D/2+ .560	D/2+ .580	.040	.060	D/2+ .240	D/2+ .260	.262	.125	4.60	3.73
TA028000()21()	1.312	D/2+ .560	D/2+ .580	.040	.060	D/2+ .240	D/2+ .260	.262	.125	4.75	3.83
TA028000()22()	1.375	D/2+ .560	D/2+ .580	.040	.060	D/2+ .240	D/2+ .260	.262	.125	4.90	4.00
TA028000()23()	1.438	D/2+ .560	D/2+ .580	.040	.060	D/2+ .240	D/2+ .260	.262	.125	5.05	4.06
TA028000()24()	1.500	D/2+ .560	D/2+ .580	.040	.060	D/2+ .240	D/2+ .260	.262	.125	5.20	4.17

Dimensions in inches.

© 2003 Kirkhill-TA Co.

This document is the property of Kirkhill-TA and is conveyed with the express condition that it and the information contained in it are not to be used, disclosed or reproduced in whole or in part, for any purpose without the express written consent of Kirkhill-TA; and that no right is granted to disclose or so use any information contained in said document. These restrictions do not apply to vendor proprietary parts.