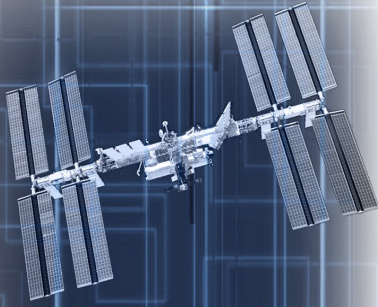


KX SERIES 75 AMP RELAY

The smallest 75 amp relay designed to “hot-switch” and carry high current loads reliably. This compact, lightweight package comes in a latching and non-latching configuration with optional auxiliary contacts for status indication.



KX Model



KXD Model



KXL Model



KXDL Model

Applications

- Space
- Aerospace
- Military
- Rail
- Ground Vehicle
- Hi-Reliability

Features

- Magnetic latch configuration (KXL and KXDL)
- Auxiliary contacts (KXD and KXDL)
- Hermetically sealed
- Low contact voltage drop
- Single pole, double break
- Optional diode suppression available
- Optional hook-pin version available

Benefits

- Designed to meet the performance standards of MIL-PRF-6106
- 150 amp at 28 Vdc carry current rating
- Withstands high mechanical shock & vibration environments
- Can be mounted in any axis
- Corrosion resistant metal enclosure
- Ruggedized construction
- Space rated version available

Specifications

COIL DATA

Nominal Operating Voltage: 28 Vdc

CONTACT DATA

Voltage: 28Vdc
Resistive: 75 Amps
Operate (Latch)/Release (Reset): 20 mS/15 mS
Minimum Operating Cycles:
20,000 cycles minimum (rated load)
200,000 cycles minimum (25% of rated load)

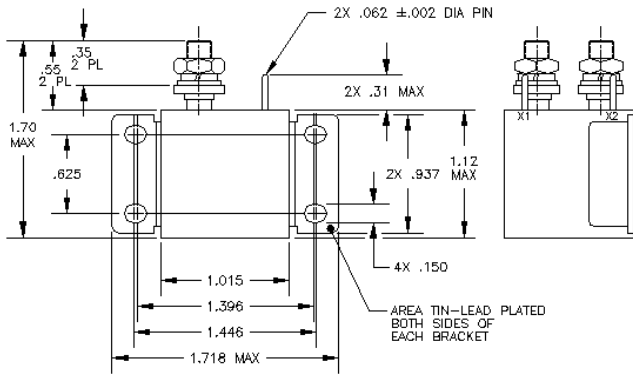
MAIN—1PST-N.O.

28Vdc
75 Amps
20 mS/15 mS

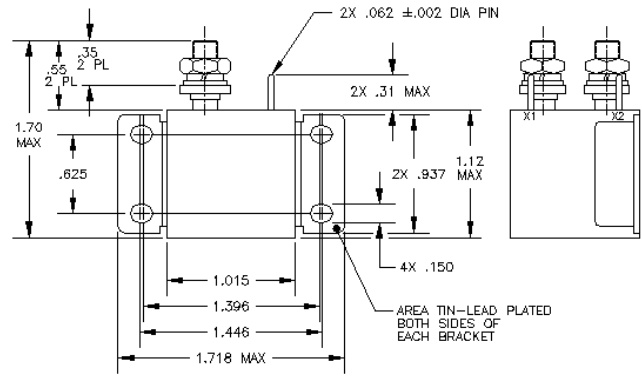
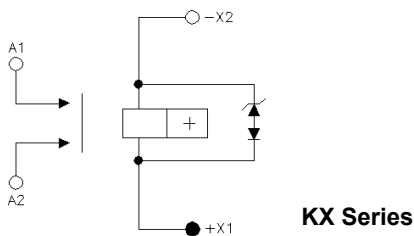
AUXILIARY CONTACTS—1PDT

28Vdc
2 Amps
20 mS/15 mS

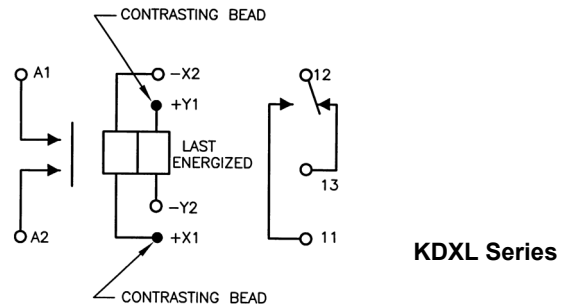
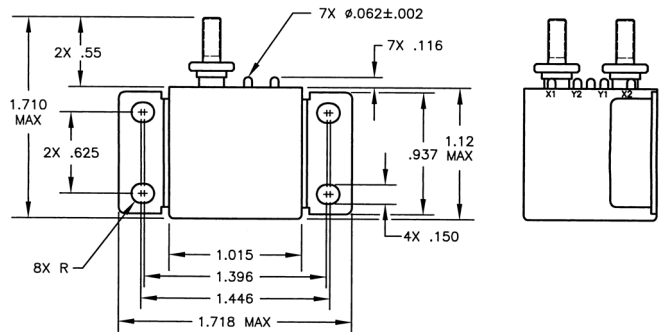
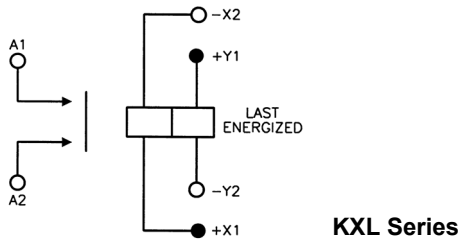
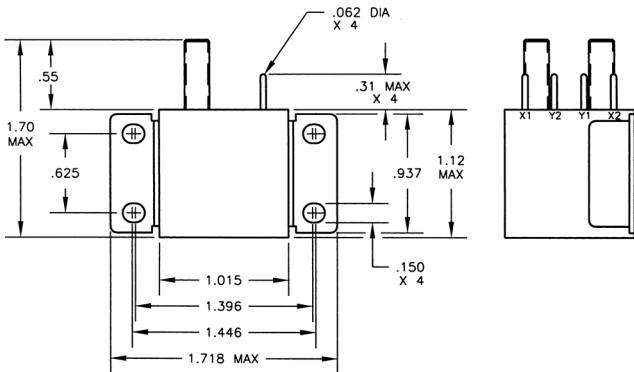
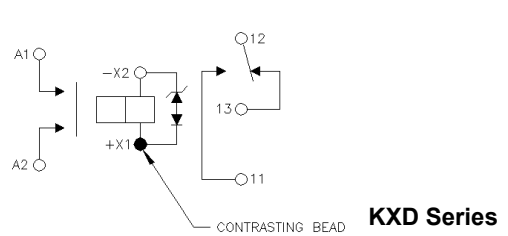
Configurations and Schematics



MOUNTING STYLE X



MOUNTING STYLE X



North America Location

6900 Orangethorpe Avenue
 Buena Park, CA 90620
 Phone: (714) 736-7599
 www.esterline.com/powersystems

