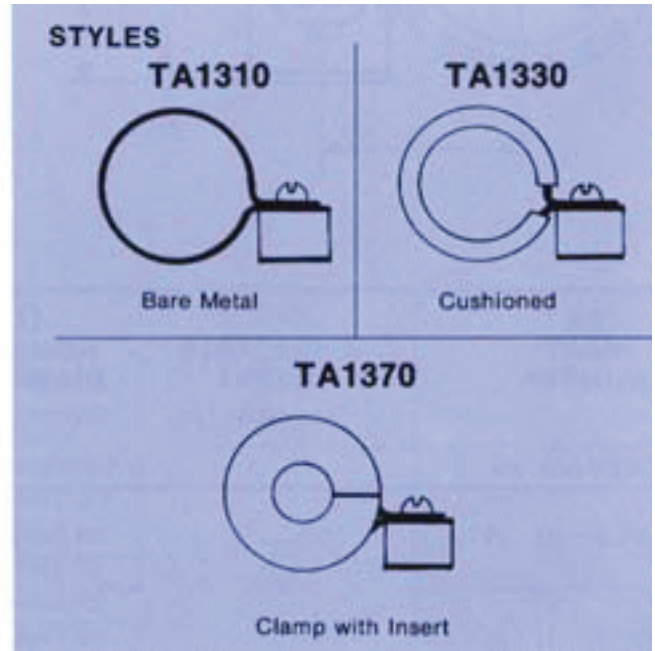


Bulletin 1300-1: Flip-Loc[®] Flush Mount No-Hinge

Mounting Bracket Fixed



Part Numbering System

ex: **TA1330B20NB02 =**

Flip-Loc clamp (.040 stainless steel x 1/2 wide) with 2-hole mounting bracket, no hinge, Nitrile Butadiene (NB) cushion, thumb screw (1/4 turn lock), for tube size 1-1/4 diameter.

Breakdown:

Part number shown below is separated for clarity. When ordering, do not show spaces.

TA1330 B 20 NB 02

- TA1330 = Basic Part Number
- B = Bracket Code (See Bulletin 1000A)
- 20 = D Tube Diameter in 1/16" Increments (Show as a minimum of 2 digits)
- NB = Cushion or Insert Material Code (See Bulletins 120 and 130)
- 02 = Screw Head Option (See Bulletin 1000A)

Specifications

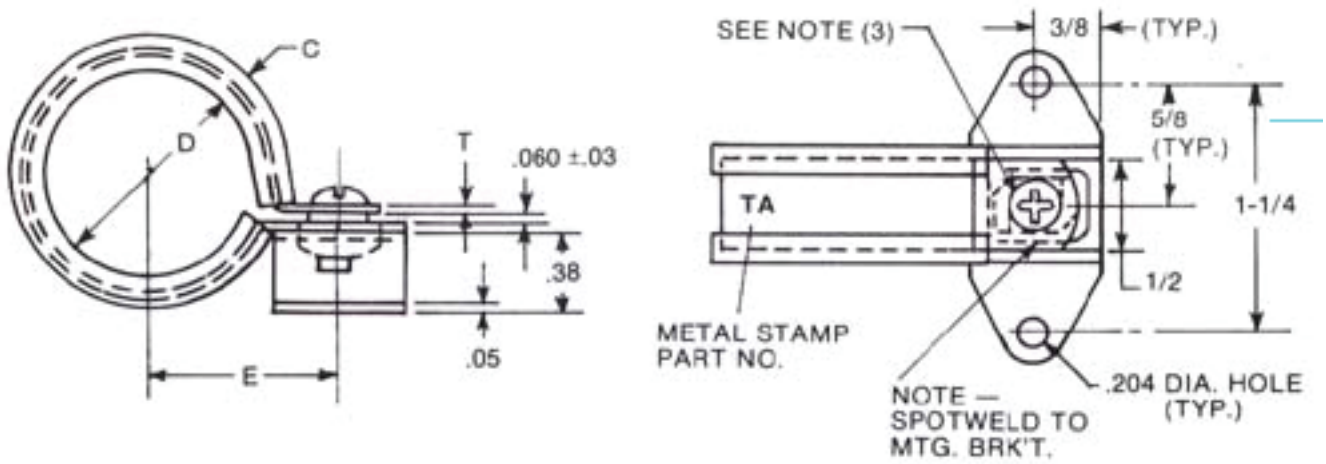


Diagram ID	Applicable Insert See Note 1	Nominal Diameter expressed in 1/16" increments	Metal Gauge	Mounting Dimension	C
Diagram ID		D	T	E	C
Tolerances			Per Spec.	+/- .015	Ref.
Part Number					
TA1310 () () () ()	N/A	06 thru 08	.020	D/2 + .441	N/A
TA1310 () () () ()	N/A	09 thru 16	.030	D/2 + .451	N/A
TA1310 () () () ()	N/A	17 thru 32	.040	D/2 + .461	N/A
TA1330 () () () ()	N/A	05 thru 08	.020	D/2 + .503	.210
TA1330 () () () ()	N/A	09 thru 16	.030	D/2 + .513	.210
TA1330 () () () ()	N/A	17 thru 32	.040	D/2 + .523	.210
TA1370 () () () ()	TA71100002	01 thru 04	.020	.629	N/A
TA1371 () () () ()	TA71100003	01 thru 05	.020	.691	N/A
TA1372 () () () ()	TA71100004	02 thru 07	.020	.753	N/A

Material: Band and bracket: 321 stainless steel, 1/8 hard, per AMS 5510

Finish: Ball burnished and passivated per AMS 2700

Note 1: Synthetic rubber inserts are required and supplied when specifying style TA1370, TA1371, and TA1372 for nominal diameters within the limits shown. Applicable insert part numbers are shown for reference only. See Bulletins 120 and 130 for insert configurations and materials available. "N/A" shown in this column indicates that standard cushion configurations and materials will be supplied as applicable for styles TA1330.

Note 2: Plastic inserts are an available option. Contact TA Product Engineering Dept.

Note 3: Screw head options, see Bulletin 1000A. Screw size (not optional) per strap width, 10-32 screws are used on 1/2 wide strap clamps, 1/4-28 screws are used on larger widths.

This document is the property of Kirkhill-TA and is conveyed with the express condition that it and the information contained in it are not to be used, disclosed or reproduced in whole or in part, for any purpose without the express written consent of Kirkhill-TA and that no right is granted to disclose or so use any information contained in said document. These restrictions do not apply to vendor proprietary parts.