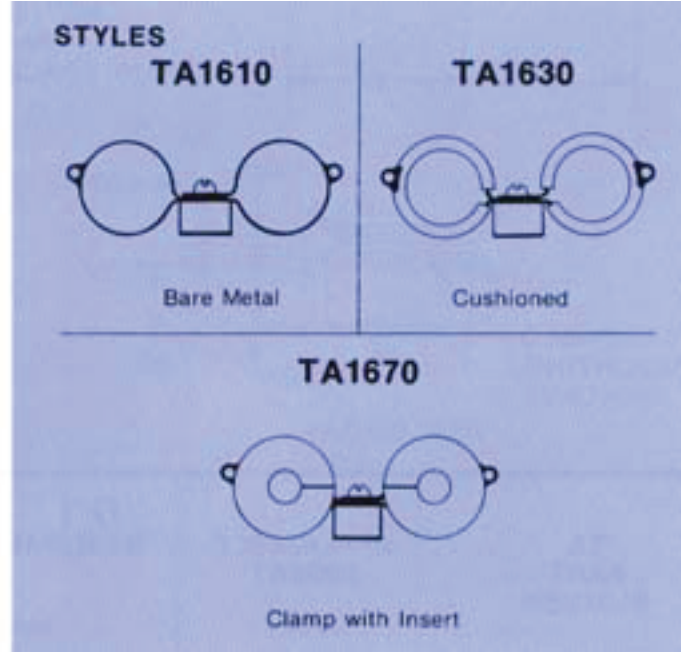
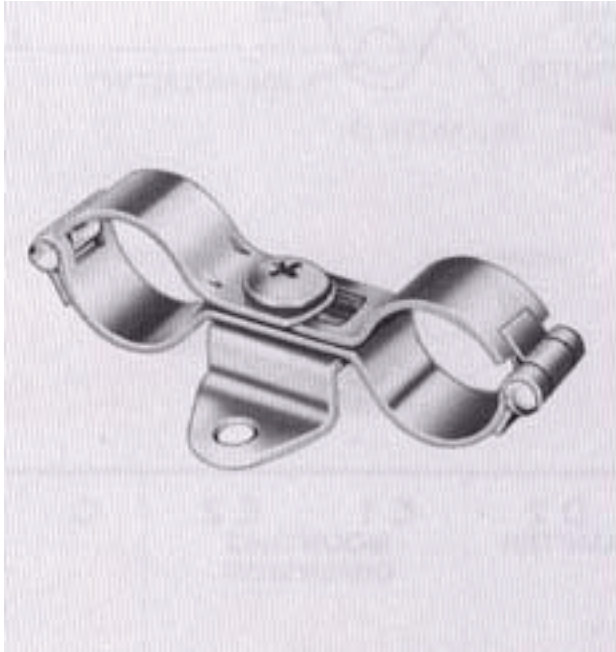


Bulletin 1600: Flip-Loc[®] Double Flush Mount Hinged

Mounting Bracket Fixed



Part Numbering System

ex: TA1630--20HB2001 = Flip-Loc clamp double loop stainless steel x 1/2 wide band with 2 hole mounting bracket. Silicone (HB) cushion, slot head screw (1/4 turn lock), for tube size 1-1/4 diameter (both loops).

Breakdown:

Part number shown below is separated for clarity. When ordering, do not show spaces.

Note: By combining above styles, sizes of each loop can range from --01 to --32.
See below for Part Numbers and details of possible configurations.

TA1630 -- 20 HB 20 01

- TA1630 = Basic Part Number
- = Bracket as Shown (For options, see Bulletin 1000A)
- 20 = D1 Tube Diameter in 1/16" increments (Show as a minimum of 2 digits)
- HB = Cushion or Insert Material Code (See Bulletins 120 and 130)
- 20 = D2 Tube Diameter in 1/16" Increments (Show as a minimum of 2 digits)
- 01 = Screw Head Option (See Bulletin 1000A)

Specifications

MOUNTING BRACKET FIXED DIMENSIONS

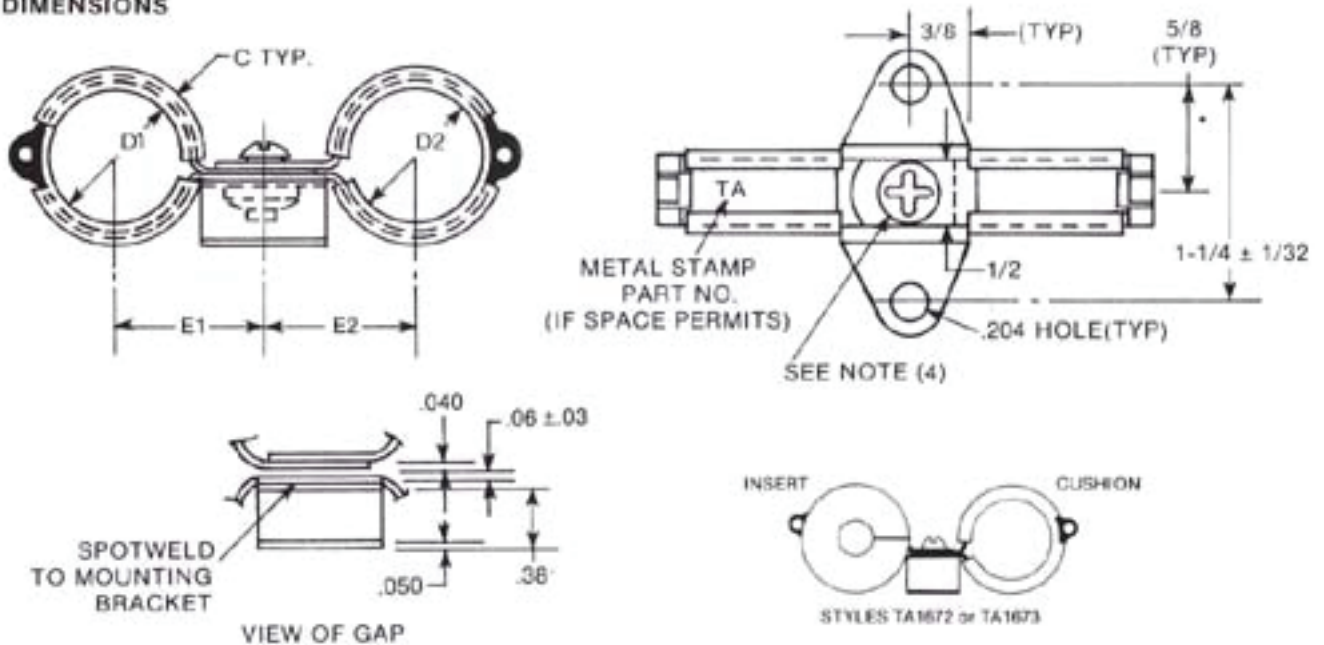


Diagram ID	Applicable Insert See Note 1	Nominal Diameter Expressed in 1/16" increments		Mounting Dimensions		C
		D ₁ D ₂		E ₁ E ₂		
Tolerances				+/- .015		Ref.
Part Number						
TA1610-- ()--()	N/A	-08 thru -32		D/2 + .476		N/A
TA1630-- ()()()	N/A	-08 thru -32		D/2 + .538		.210
TA1670-- ()()()	TA71100003	-01 thru -05		.726		N/A
TA1671-- ()()()	TA71100004	-02 thru -07		.788		N/A
TA1672-- ()()()	TA71100003	-01 thru -05	-08 thru -32	.726	D/2 + .538	
TA1673-- ()()()	TA71100004	-02 thru -07	-08 thru -32	.788	D/2 + .538	

Material: Band and bracket: 321 stainless steel, annealed, per AMS 5510

Finish: Ball burnished and passivated per AMS 2700

Note 1: Synthetic rubber inserts are required and supplied when specifying style TA1670, TA1671, TA1672 for nominal diameters within the limits shown. Applicable insert part numbers are shown for reference only. See Bulletins 120 and 130 for insert configurations and materials available. "N/A" shown in this column indicates that standard cushion configurations and materials will be supplied as applicable for styles TA1630.

Note 2: Styles TA1672 thru TA1673 combines TA1630 with TA1670 or TA1671 providing a minimum and a maximum size per double clamp.

Note 3: Plastic inserts are an available option. Contact TA Product Engineering Dept.

Note 4: Screw head options, see Bulletin 1000A Screw size (not optional) per strap width, 10-32 screws are used on 1/2 wide strap clamps, 1/4-28 screws are used on larger widths.

This document is the property of Kirkhill-TA and is conveyed with the express condition that it and the information contained in it are not to be used, disclosed or reproduced in whole or in part, for any purpose without the express written consent of Kirkhill-TA and that no right is granted to disclose or so use any information contained in said document. These restrictions do not apply to vendor proprietary parts.