

Korry® 389 LED-Illuminated 5/8-Inch Switch

A virtual industry standard for versatile, reliable switching solutions with outstanding illumination

Korry 389 switches now available on fast track with our 3-Day Quick Switch program



Our customers have asked for shorter lead times, and we've listened. Esterline now offers the Korry 389 3-Day Quick Switch: within three days after you place your order, your switches will be built and on their way. An online form is available to expedite product requests at www.esterline.com/controlandcommunication.

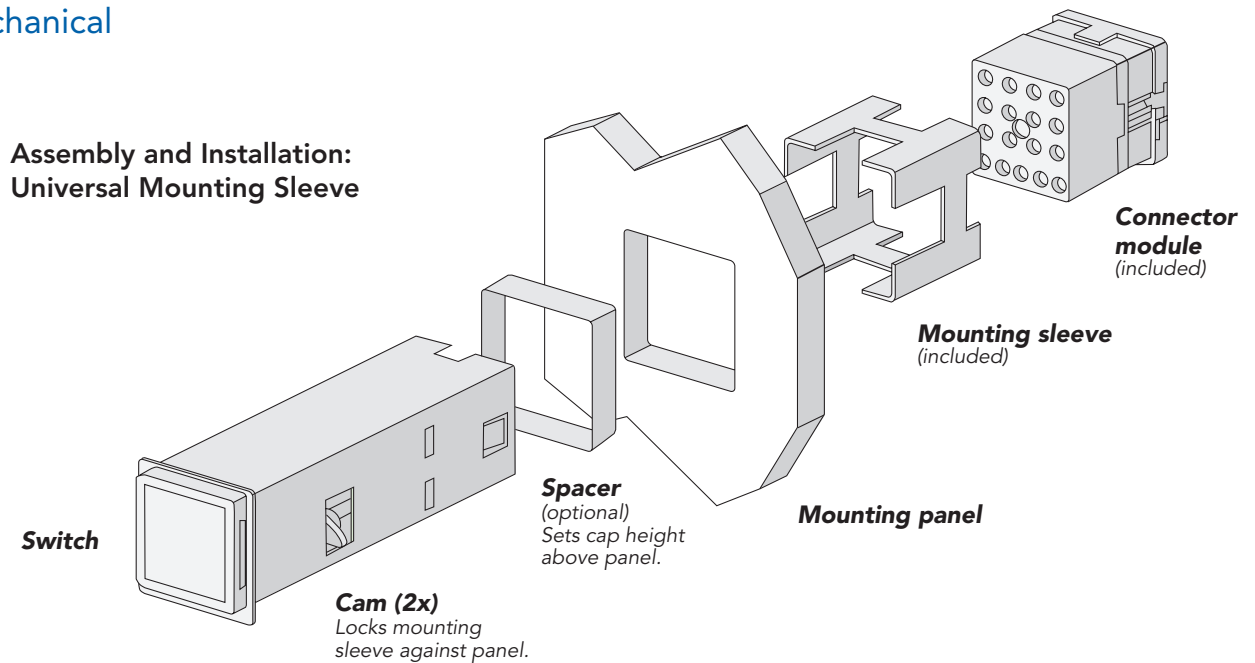
The 3-Day Quick Switch program applies to a standard set of options that most customers order most of the time. Consult the following pages for an overview of available configurations. If additional options are required, our 4-Week Korry 389 Quick Switch offers more possibilities.

Esterline has engineered its Korry 389 LED switch for human machine interface (HMI) applications where superior lighting performance, product reliability, and system versatility are required. Korry 389 switches serve on most commercial and military platforms.

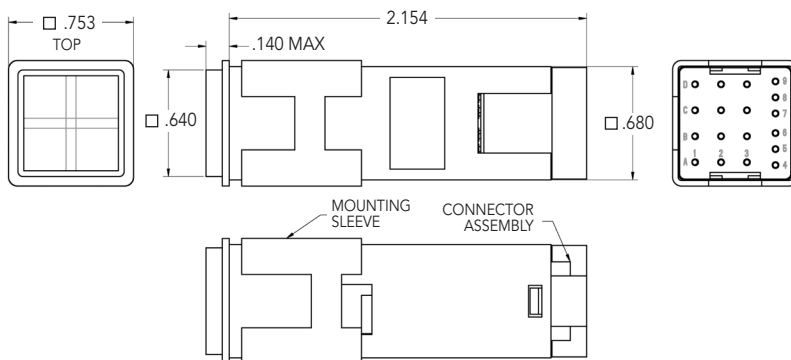
- Surface-mounted electronics with the latest generation of high-brightness LEDs
- Uncompromising performance in system interface capabilities
- Exceptional illumination characteristics such as brightness output and dimming control
- Mechanically interchangeable with most 5/8-inch switch products

Korry 389 3-Day Quick Switch Overview

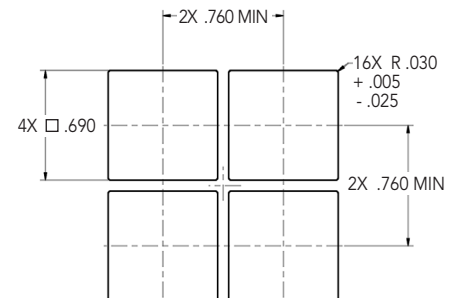
Mechanical



Universal Sleeve with Connector (dimensions in inches)



Panel Cutout

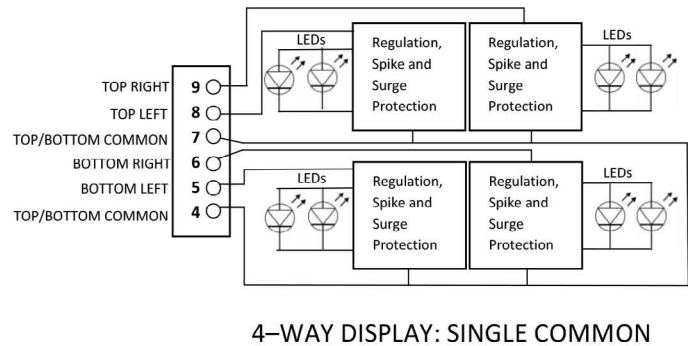
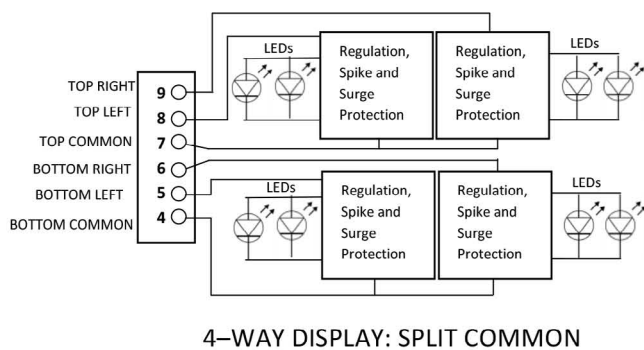
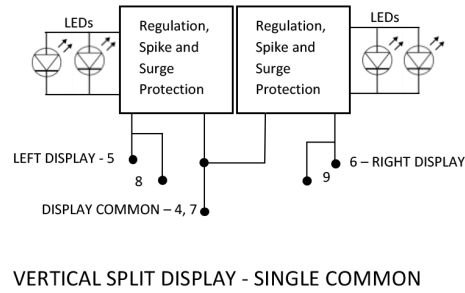
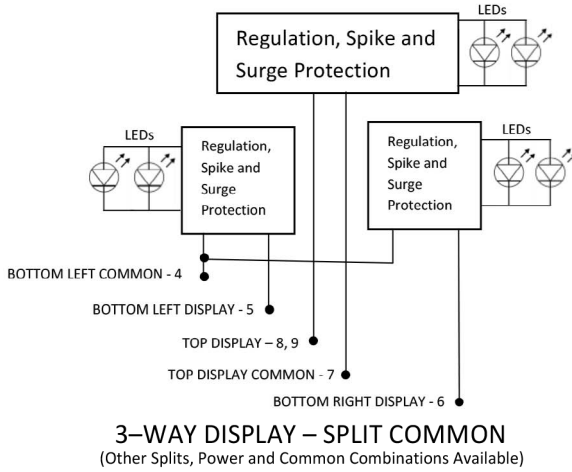
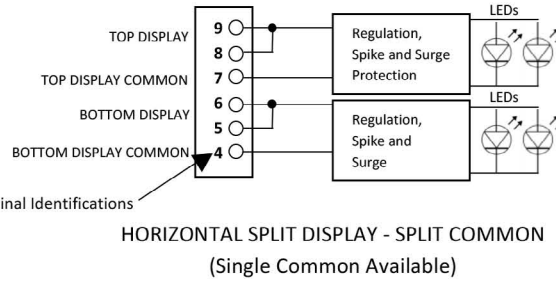
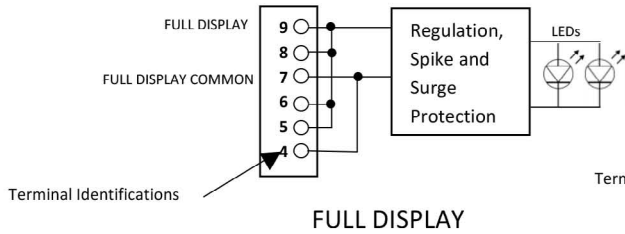


Electrical and Operating Characteristics

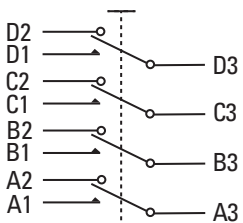
Switch type	Momentary/alternate action or indicator, four pole, double throw, form C, single break microswitch IAW MIL-PRF-8805
Switch contact ratings	Resistive: sea level 7 A at 28 VDC Inductive: sea level 4 A at 28 VDC Lamp: sea level 2.5 A at 28 VDC
LED current rating	35 mA max. at 28 VDC, bright mode, full display
Total cap travel	0.177 inch max. (4.49 mm)
Actuation force	2-5 pounds (0.91-2.27 kg)
Cap extraction	2-5 pounds (0.91-2.27 kg)
Mounting torque	16-20 inch-ounces
Actuation life	100,000 cycles (MIL-PRF-22885)
Temperature	-55° C to +85° C (MIL-PRF-22885)
MTBF	1.5 million hours (standard full display, 20° C, 3,000 flying hours per year)

Electrical Schematics and Interface

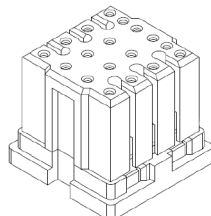
6-Pin Lamp Circuit (bipolar design)



Switch Circuit



6-Pin Connector Module









44387-001 module uses M39029/57-354 crimp pins, accepts AWG 22, 24, and 26.

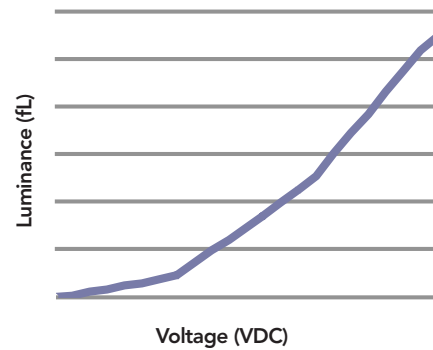
Korry 389 3-Day Quick Switch Overview, Cont'd

Legends

Legend Types

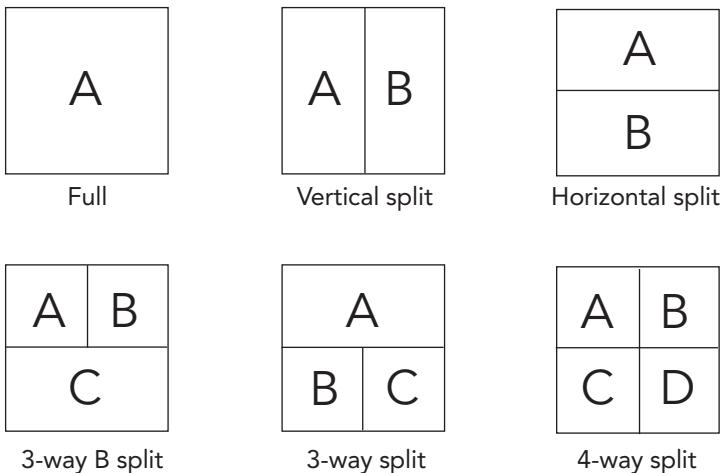
	OFF CONDITION	ON CONDITION
S (1B) Hidden legend. Letters not visible until illuminated. Lighted colored letters on opaque black background when energized.		
B (1C) Hidden legend. Letters not visible until illuminated. Lighted colored background with opaque black letters when energized.		
N (2G2) White letters on opaque black background. Letters show color when energized.		

Voltage Dimming



28 VDC only or 28 VDC bright and 14 VDC dim

Lens Configurations



Environmental

Baseline qualification is per MIL-PRF-22885/109 with additional RTCA/DO-160 environmental and EMC testing. Summary available upon request.

Accessories

Please contact us for ordering information.

- Spacers: available for insertion between the mounting panel and housing flange to position the cap assembly level with an adjacent lightplate.
- Flip-guard assembly: multiple styles available to prevent inadvertent switch actuation.

Visit our product-request form at www.esterline.com/controlandcommunication, or contact us at +1-425-297-9700 or korry.techinfo@esterline.com.

Esterline
11910 Beverly Park Road
Everett, WA 98204
425-297-9700
www.esterline.com

Esterline
Control &
Communication Systems

Products will ship three business days after receipt of order (ARO). Delivery is subject to shipping limitations. Quantity restrictions may apply. Approved for public release; distribution is unlimited.

© 2016, Esterline Technology Corporation. "Korry" is a registered trademark of Esterline Technologies Corporation.