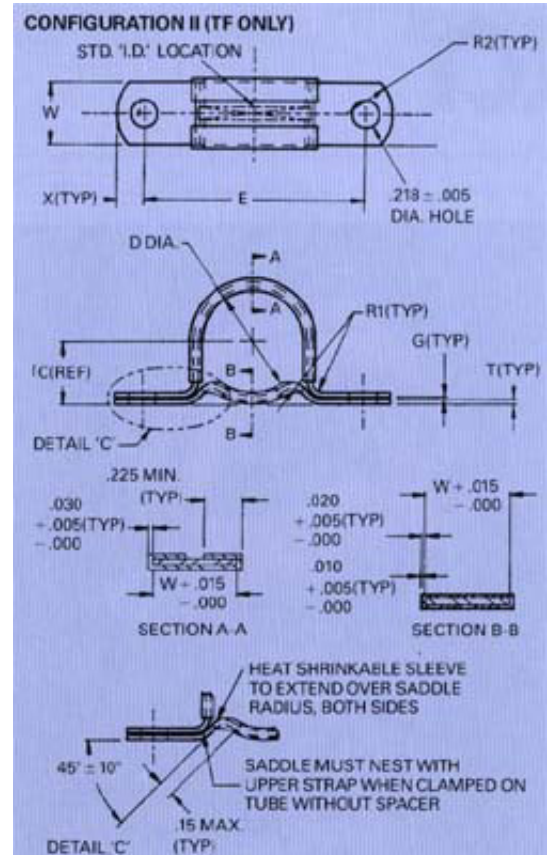
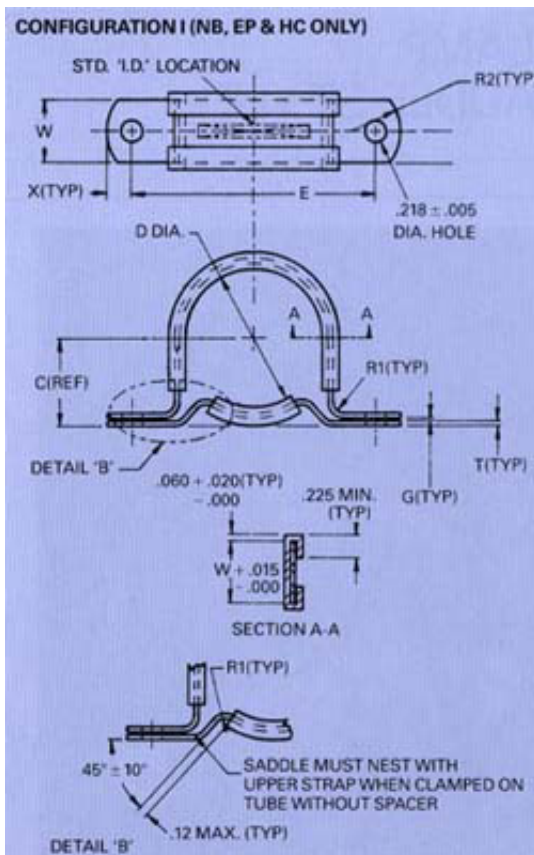


Bulletin MIL-C-85449 (QPL): Clamp Saddle Style



	Diameter					Stock				Gap	Weight in lbs.(max)
Diagram ID ▶	D	E	C(I)	C(II)	W	T	X	R ¹	R ²	G	
Tolerance +/- ▶	+/- .010	+/- .015	Ref.	Ref.	+/- .003	AMS 2242	+/- .010	+/- .010	+/- .030	+/- .001	Ref.
Part Number											
TA0960001-10()	.625	1.525	.493	.433	.500	.040	.218	.090	.37	.020	0.0417
TA0960001-12()	.750	1.650	.555	.495	.500	.040	.218	.090	.37	.020	0.0460
TA0960001-14()	.875	1.775	.618	.558	.500	.040	.218	.090	.37	.020	0.0503
TA0960001-16()	1.000	1.958	.690	.640	.625	.050	.250	.109	.50	.030	0.0814
TA0960001-18()	1.125	2.083	.753	.703	.625	.050	.250	.109	.50	.030	0.0876
TA0960001-20()	1.250	2.208	.815	.765	.625	.050	.250	.109	.50	.030	0.0937
TA0960001-24()	1.500	2.458	.940	.890	.625	.050	.250	.109	.50	.030	0.1060
TA0960001-28()	1.750	2.708	1.065	1.015	.625	.050	.250	.109	.50	.030	0.1182
TA0960001-32()	2.000	3.016	1.203	1.153	.750	.063	.250	.125	.50	.030	0.1875
TA0960001-36()	2.250	3.266	1.328	1.278	.750	.063	.250	.125	.50	.030	0.2047
TA0960001-40()	2.500	3.516	1.453	1.403	.750	.063	.250	.125	.50	.030	0.2218
TA0960001-44()	2.750	3.766	1.578	1.528	.750	.063	.250	.125	.50	.030	0.2390
TA0960001-48()	3.000	4.016	1.703	1.653	.750	.063	.250	.125	.50	.030	0.2561

Cross Reference

MIL-C-85052 Part Number	TA Equivalent	Cushion Color Code
M85449/1-10	TA0960001-10NB	Yellow
M85449/1-12	TA0960001-12NB	Yellow
M85449/1-14	TA0960001-14NB	Yellow
M85449/1-16	TA0960001-16NB	Yellow
M85449/1-18	TA0960001-18NB	Yellow
M85449/1-20	TA0960001-20NB	Yellow
M85449/1-24	TA0960001-24NB	Yellow
M85449/1-28	TA0960001-28NB	Yellow
M85449/1-32	TA0960001-32NB	Yellow
M85449/1-36	TA0960001-36NB	Yellow
M85449/1-40	TA0960001-40NB	Yellow
M85449/1-44	TA0960001-44NB	Yellow
M85449/1-48	TA0960001-48NB	Yellow

MIL-C-85052 Part Number	TA Equivalent	Cushion Color Code
M85449/2-10	TA0960001-10EP	Purple
M85449/2-12	TA0960001-12EP	Purple
M85449/2-14	TA0960001-14EP	Purple
M85449/2-16	TA0960001-16EP	Purple
M85449/2-18	TA0960001-18EP	Purple
M85449/2-20	TA0960001-20EP	Purple
M85449/2-24	TA0960001-24EP	Purple
M85449/2-28	TA0960001-28EP	Purple
M85449/2-32	TA0960001-32EP	Purple
M85449/2-36	TA0960001-36EP	Purple
M85449/2-40	TA0960001-40EP	Purple
M85449/2-44	TA0960001-44EP	Purple
M85449/2-48	TA0960001-48EP	Purple

MIL-C-85052 Part Number	TA Equivalent	Cushion Color Code
M85449/3-10	TA0960001-10HC	Blue
M85449/3-12	TA0960001-12HC	Blue
M85449/3-14	TA0960001-14HC	Blue
M85449/3-16	TA0960001-16HC	Blue
M85449/3-18	TA0960001-18HC	Blue
M85449/3-20	TA0960001-20HC	Blue
M85449/3-24	TA0960001-24HC	Blue
M85449/3-28	TA0960001-28HC	Blue
M85449/3-32	TA0960001-32HC	Blue
M85449/3-36	TA0960001-36HC	Blue
M85449/3-40	TA0960001-40HC	Blue
M85449/3-44	TA0960001-44HC	Blue
M85449/3-48	TA0960001-48HC	Blue

MIL-C-85052 Part Number	TA Equivalent	Cushion Color Code
M85449/4-10	TA0960001-10TF	White
M85449/4-12	TA0960001-12TF	White
M85449/4-14	TA0960001-14TF	White
M85449/4-16	TA0960001-16TF	White
M85449/4-18	TA0960001-18TF	White
M85449/4-20	TA0960001-20TF	White
M85449/4-24	TA0960001-24TF	White
M85449/4-28	TA0960001-28TF	White
M85449/4-32	TA0960001-32TF	White
M85449/4-36	TA0960001-36TF	White
M85449/4-40	TA0960001-40TF	White
M85449/4-44	TA0960001-44TF	White
M85449/4-48	TA0960001-48TF	White

Part Numbering System

ex: TA0960001-32HC = Stainless steel saddle clamp with HC silicone cushion for 2" diameter tube.

Breakdown:

Part number shown below is separated for clarity. When ordering, do not show spaces.

TA0960001 - 32 HC

TA0260001 = Basic Part Number
32 = Diameter in 1/16" increments (Show as a minimum of 2 digits)
HC = Cushion Code (See material options)

Materials:

Metal:

321 stainless steel per AMS 5510, roled edges to T/4 radius and 100 KSI tensil.

Finish:

Ball burnish and passivate per AMS 2700.

Cushion:

NB- Nitrile butadiene (NBR).

EP- Ethylene propylene (EPR).

HC- Silicone, fabric supported, TA 101, Color - blue. General purpose.

TF- Teflon per MIL-P-22241, TY2,G B. Color - white, General purpose, formed tape, or ASTM D 1457, molded