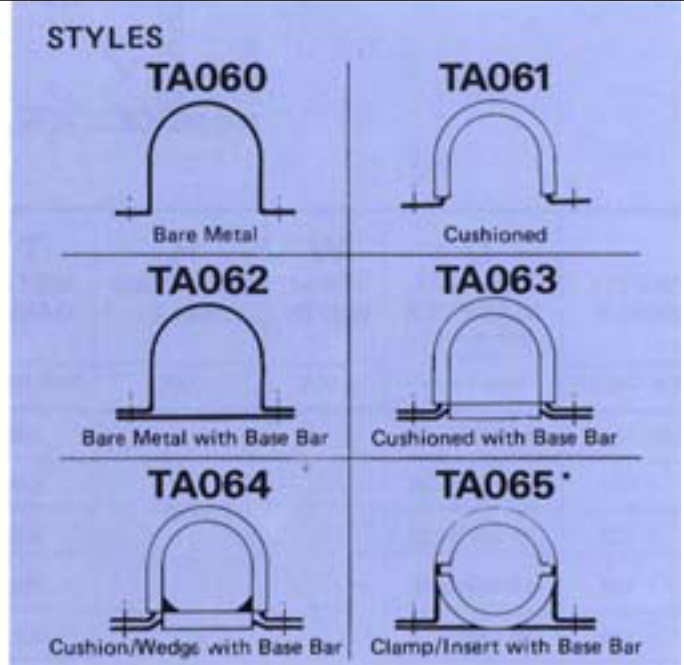
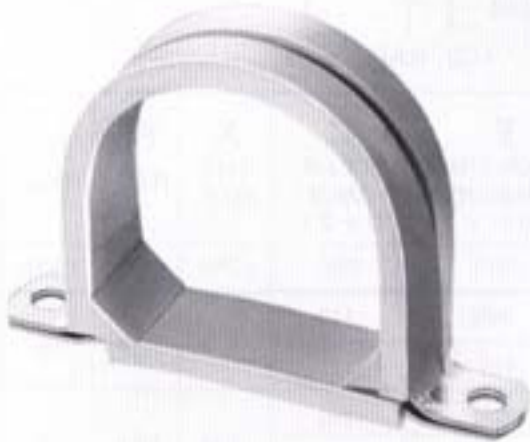


Bulletin 600: Clamp, Double Mount Single Tube

FAA TSO-C171



* For specifying Style TA065, with elastomer insert consult TA Sales Representative for details.

Part Numbering System

ex: **TA06410CO16CR=**

Double mount clamp with base bar, for 1" diameter single tube or wire bundle with neoprene cushion wedges and .204" diameter mounting holes. Made from 302 stainless steel, annealed, 5/8" wide, .050" thick, ball burnished and passivated.

Breakdown:

Part number shown below is separated for clarity. When ordering, do not show spaces.

TA064 10 CO 16 CR

- TA064 = Basic Part Number
- 10 = Design Detail (See below)
- CO = Metal Identification (See Bulletin 120)
- 16 = Diameter in 1/16" Increments (Show as a minimum of 2 digits)
- CR = Cushion Code or Plastic Insert Code (See Bulletins 120 and 130)

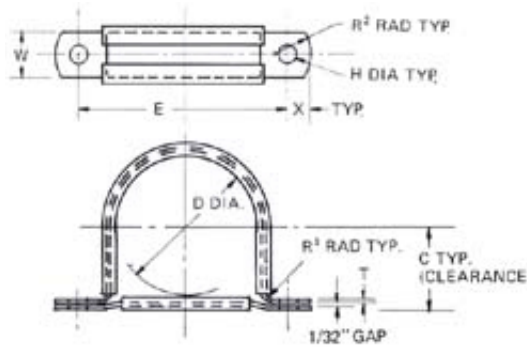


Diagram ID ▶	Nominal Dia. expressed in 1/16" increments	Strap Width	Mounting Hole	Metal Gauge	Mounting Dimension DIA+	Clearance D/2+	Cut Off	Rad	
	D							W	H
Tolerances ▶		+/- .005	+/- .005	Per Spec.	+/- .015	Ref.	+/- .010	+/- .015	+/- .015
Part Number									
TA06()01	04 to 16	1/2	.204	.030	.890	.170	.218	1/16	3/8
02	12 to 24	1/2	.204	.040	.910	.180	.218	1/16	3/8
03	16 to 32	1/2	.204	.050	1.070	.190	.250	7/64	1/2
04	24 to 48	1/2	.204	.060	1.090	.200	.250	7/64	1/2
05	04 to 16	1/2	.281	.030	.930	.170	.312	1/16	1/2
06	12 to 24	1/2	.281	.040	.950	.180	.312	1/16	1/2
07	16 to 32	1/2	.281	.050	1.070	.190	.312	7/64	1/2
08	24 to 48	1/2	.281	.060	1.090	.200	.312	7/64	1/2
TA06()09	12 to 24	5/8	.204	.040	.910	.180	.250	1/16	1/2
10	16 to 64	5/8	.204	.050	1.070	.190	.250	7/64	1/2
11	12 to 24	5/8	.281	.040	.950	.180	.312	1/16	1/2
12	16 to 64	5/8	.281	.050	1.070	.190	.312	7/64	1/2
TA06()13	17 to 48	3/4	.204	.050	1.070	.190	.250	7/64	1/2
14	32 to 96	3/4	.204	.060	1.090	.200	.250	7/64	1/2
15	17 to 48	3/4	.281	.050	1.070	.190	.312	7/64	1/2
16	32 to 96	3/4	.281	.060	1.090	.200	.312	7/64	1/2
17	17 to 96	3/4	.343	.060	1.090	.200	.312	7/64	1/2
18	17 to 96	3/4	.406	.060	1.090	.200	.312	7/64	1/2

Standard Packaging:

Individual clamp bands, clamp bases and foot reinforcing tabs (when specified) will be bulk packaged within a common container unless otherwise specified. Each double mount clamp requiring an insert will be individually bagged unless otherwise specified.