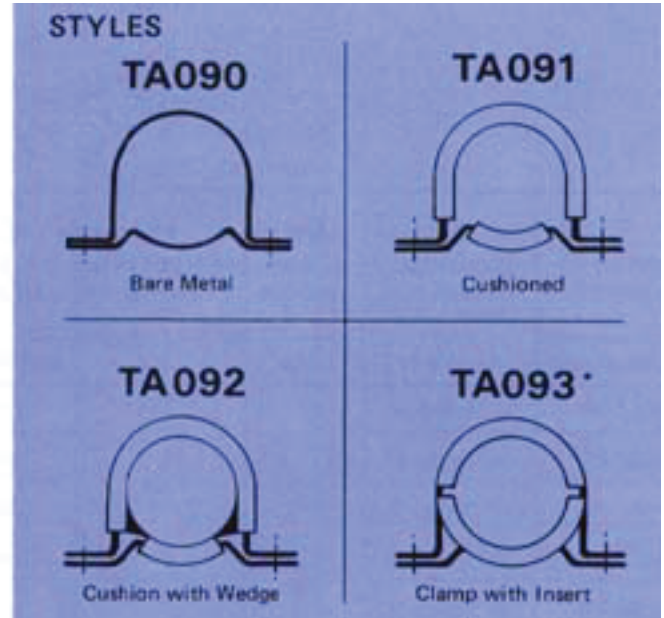


Bulletin 900: Clamp Saddle Style



Part Numbering System

* Due to material limitations, please consult TA Engineering Department before specifying. For specifying Style TA 093, with elastomer insert, consult TA Sales Representative for details.

ex: **TA09112COR16CR** = Saddle style clamp with neoprene cushion and 302 stainless steel, foot reinforcing tab for 1.00" diameter tube. -

Breakdown:

Part number shown below is separated for clarity. When ordering, do not show spaces.

TA091 12 CO R 16 CR

- TA091 = Basic Part Number
- 12 = Design Detail (See below)
- CO = Metal Identification (See Bulletin 120)
- R = Foot Reinforcing Tab (Optional – omit if not required. See Bulletin 130)
- 16 = Diameter in 1/16" Increments
- CR = Cushion Code or Plastic Insert Code (See Bulletins 120 and 130)

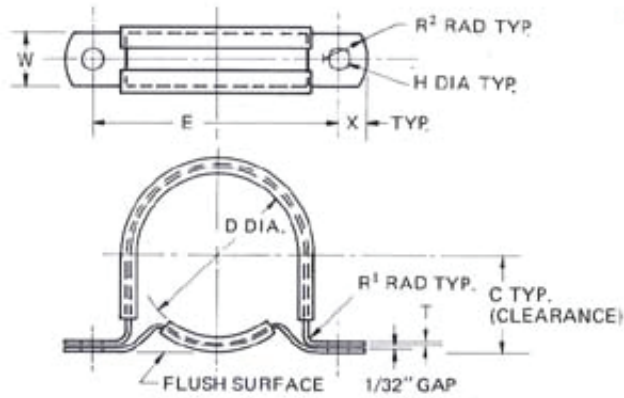


Diagram ID ▶	Nominal Diameter expressed in 1/16" increments	Strap Width	Mounting Hole	Metal Gauge	Mounting Dimension Dia. +	Clearance D/2+	Cut Off	Rad	
	D							H	T
Tolerances ▶		+/- .003	+/- .005	Per Spec.	+/- .015	Ref.	+/- .010	+/- .015	+/- .015
Part Number									
TA09()01	08 thru 16	1/2	.204	.030	.890	.170	.218	1/16	3/8
TA09()02	10 thru 24	1/2	.204	.040	.910	.180	.218	1/16	3/8
TA09()03	16 thru 32	1/2	.204	.050	1.070	.190	.250	7/64	1/2
TA09()04	24 thru 48	1/2	.204	.060	1.090	.200	.250	7/64	1/2
TA09()05	08 thru 16	1/2	.281	.030	.930	.170	.312	1/16	1/2
TA09()06	12 thru 24	1/2	.281	.040	.950	.180	.312	1/16	1/2
TA09()07	16 thru 32	1/2	.281	.050	1.070	.190	.312	7/64	1/2
TA09()08	24 thru 48	1/2	.281	.060	1.090	.200	.312	7/64	1/2
TA09()09	12 thru 24	5/8	.204	.040	.910	.180	.250	1/16	1/2
TA09()10	16 thru 64	5/8	.204	.050	1.070	.190	.250	7/64	1/2
TA09()11	12 thru 24	5/8	.281	.040	.950	.180	.312	1/16	1/2
TA09()12	16 thru 64	5/8	.281	.050	1.070	.190	.312	7/64	1/2
TA09()13	17 thru 48	3/4	.204	.050	1.070	.190	.250	7/64	1/2
TA09()14	32 thru 96	3/4	.204	.060	1.090	.200	.250	7/64	1/2
TA09()15	17 thru 48	3/4	.281	.050	1.070	.190	.312	7/64	1/2
TA09()16	32 thru 96	3/4	.281	.060	1.090	.200	.312	7/64	1/2
TA09()17	17 thru 96	3/4	.343	.060	1.090	.200	.312	7/64	1/2
TA09()18	17 thru 96	3/4	.406	.060	1.090	.200	.312	7/64	1/2

Standard Packaging: Individual clamp bands, clamp bases and foot reinforcing tabs (when specified) will be bulk packaged within a common container unless otherwise specified. Each saddle clamp requiring an insert will be individually bagged unless otherwise specified.

This document is the property of Kirkhill-TA and is conveyed with the express condition that it and the information contained in it are not to be used, disclosed or reproduced in whole or in part, for any purpose without the express written consent of Kirkhill-TA; and that no right is granted to disclose or so use any information contained in said document. These restrictions do not apply to vendor proprietary parts.