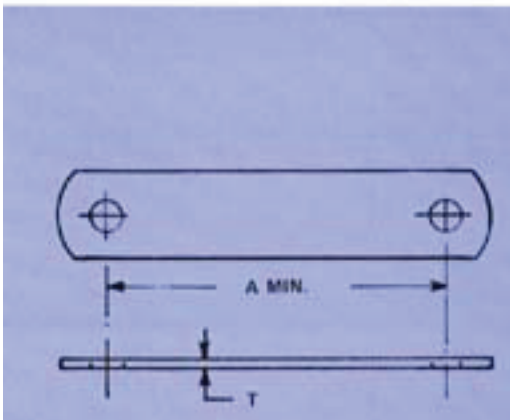


Bulletin 4000A: Bracket Flat



Part Numbering System

ex: TA4012D20 = Flat bracket 3/4" wide.
Aluminum .050 with chemical film-gold, style D, A dimension 20 (1-1/4")

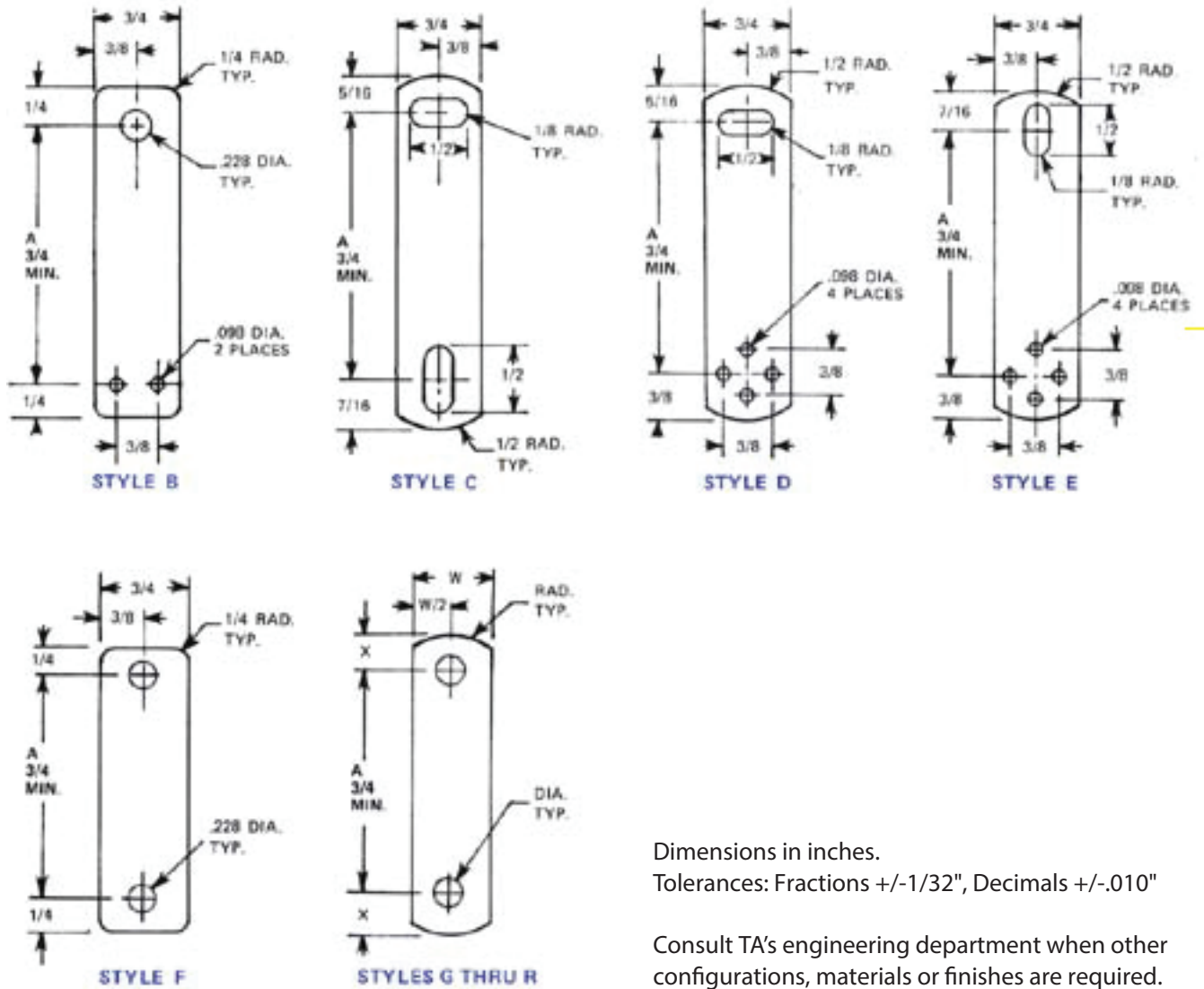
Breakdown:
Part number shown below is separated for clarity.
When ordering, do not show spaces.

TA4012 D 20

TA4012 = Basic Part Number
D = Style Code (See Below)
20 = A in 1/16" increments
(3/4" min. show as a minimum of 2 digits)

Part Number	Material Code	T
TA4010()	DO	.050
TA4011()	DO	.070
TA4012()	DC	.050
TA4013()	DC	.070
TA4014()	HO	.040
TA4015()	HO	.050

For material & finish information see Bulletin 120.



Style	W	Hole Dia.	X	Rad.
G	1/2	.147	3/16	3/8
H	1/2	.173	3/16	3/8
J	1/2	.204	7/32	3/8
K	1/2	.281	5/16	1/2
L	5/8	.281	5/16	1/2
M	5/8	.344	5/16	1/2
N	3/4	.197	1/4	1/2
P	3/4	.281	5/16	1/2
R	3/4	.344	5/16	1/2