



Is Now Part of



ON Semiconductor®

To learn more about ON Semiconductor, please visit our website at
www.onsemi.com

ON Semiconductor and the ON Semiconductor logo are trademarks of Semiconductor Components Industries, LLC dba ON Semiconductor or its subsidiaries in the United States and/or other countries. ON Semiconductor owns the rights to a number of patents, trademarks, copyrights, trade secrets, and other intellectual property. A listing of ON Semiconductor's product/patent coverage may be accessed at www.onsemi.com/site/pdf/Patent-Marking.pdf. ON Semiconductor reserves the right to make changes without further notice to any products herein. ON Semiconductor makes no warranty, representation or guarantee regarding the suitability of its products for any particular purpose, nor does ON Semiconductor assume any liability arising out of the application or use of any product or circuit, and specifically disclaims any and all liability, including without limitation special, consequential or incidental damages. Buyer is responsible for its products and applications using ON Semiconductor products, including compliance with all laws, regulations and safety requirements or standards, regardless of any support or applications information provided by ON Semiconductor. "Typical" parameters which may be provided in ON Semiconductor data sheets and/or specifications can and do vary in different applications and actual performance may vary over time. All operating parameters, including "Typicals" must be validated for each customer application by customer's technical experts. ON Semiconductor does not convey any license under its patent rights nor the rights of others. ON Semiconductor products are not designed, intended, or authorized for use as a critical component in life support systems or any FDA Class 3 medical devices or medical devices with a same or similar classification in a foreign jurisdiction or any devices intended for implantation in the human body. Should Buyer purchase or use ON Semiconductor products for any such unintended or unauthorized application, Buyer shall indemnify and hold ON Semiconductor and its officers, employees, subsidiaries, affiliates, and distributors harmless against all claims, costs, damages, and expenses, and reasonable attorney fees arising out of, directly or indirectly, any claim of personal injury or death associated with such unintended or unauthorized use, even if such claim alleges that ON Semiconductor was negligent regarding the design or manufacture of the part. ON Semiconductor is an Equal Opportunity/Affirmative Action Employer. This literature is subject to all applicable copyright laws and is not for resale in any manner.

AN9008

The Use of QFETs in a Flyback Converter

By Il Soo Yang

Introduction

Power supply designers face many challenges in designing more efficient and cost-effective power supplies. Efficiency is a major consideration in designing switching power supplies. Many factors in the design process such as the input filter capacitance, transformer core geometry and construction, output rectifier, and switching device etc., affect the efficiency of switching power supplies. Among the losses all components generate, switching device losses occupy about 30%. Hence, selecting MOSFETs with optimum efficiency and high reliability is very crucial in power supply design. This application note compares the key characteristics, power losses, and efficiency of the new QFET and a conventional MOSFET in a 60 watt flyback converter operated at 180 to 265 VAC.

QFET Characteristics

Almost all the power supplies used in TVs, VCRs, PCs, fax machines, and other home appliances rely on a switching circuit to convert the AC wall power to DC power or DC to AC. Thus, they are referred to as switched mode power supplies. To obtain high efficiency, it is crucial for designers to select switching MOSFETs to give very low losses in the circuits. MOSFETs must exhibit low conduction and switching losses with safety qualifications. Fairchild Semiconductor, in extending its commitment to develop high quality MOSFETs, now offers new high efficiency QFETs for switched mode power supply applications.

A power QFET, rated at 600V and used in a 60 watt flyback converter, features a gate charge rating which is 45 percent lower than existing devices for improved switching and drive efficiency. Figure 1 compares the new QFET FQP7N60 with its conventional MOSFET counterpart. By using unified singular well stripe technology, the Miller capacitance of the new QFET is reduced by about 40 percent.

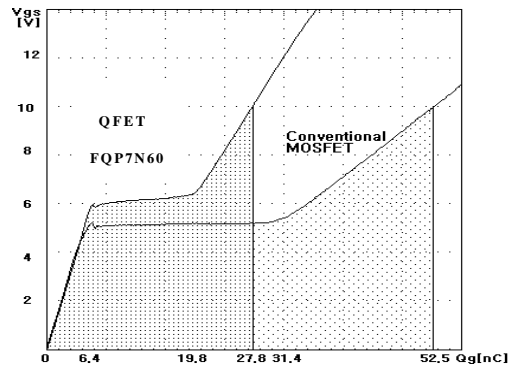


Figure 1: Gate Charge Improvement

Balanced with gate charge improvement, the on-resistance [$R_{ds(on)}$] goes down by about 20 per cent with respect to previous devices versus drain current. Figure 2 shows the improvement of on-resistance in a QFET compared with a MOSFET.

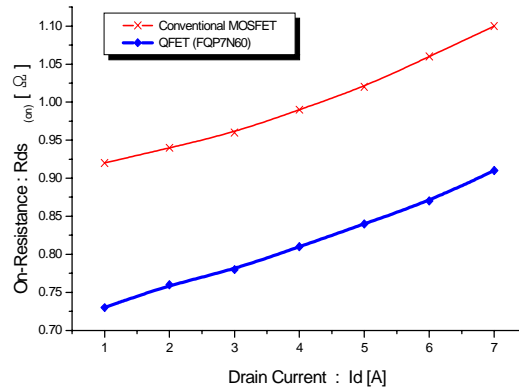


Figure 2: On-resistance Improvement vs. Drain Current

The combined improvement of gate charge and on-resistance in this 60 watt flyback converter leads to a more efficient system because of the reduced turn-off conduction loss. It is worth emphasizing that QFETs offer designers significant improvements in terms of lower overall system cost due to lower gate driver requirements, a smaller heat sink, and narrower PCB. Table 1 illustrates the features which are useful in flyback converters and other applications.

Table 1: Q_g and $R_{ds(on)}$ Improvements

Voltage Rating	Device	On-resistance	Gate Charge	Package
600V	Conventional Part	1.2 Ω	65 nC	TO-220
600V	FQP7N60(QFET)	1.0 Ω	38 nC	TO-220

Performance in a Flyback Converter

Figure 3 shows the design of a commercially available 60 watt flyback converter with two outputs (+160V, +15V), operating at a switching frequency of 80kHz and an input voltage of 220VAC. This type of switching power supply is used for applications, such as monitors, TVs, and miscellaneous instruments, requiring multiple output voltages. This discontinuous mode flyback converter, using a KA3882 current mode controller, features good voltage tracking with the use of pulse by pulse current sensing on the primary side, and an isolated secondary feedback loop. The PWM IC KA3882 directly drives the power MOSFET.

As the power MOSFET sequentially turns on and off, energy is stored in the transformer core during the on time, and is then transferred to the output capacitor during the off time. When the power MOSFET turns off, the energy stored in the leakage inductance causes a voltage spike across the drain-to-source terminal of the power MOSFET, which amounts to at least twice the input voltage ($V_{in} + nV_o + \text{leakage inductance voltage}^1$). Most applications need clamp circuits to restrict this voltage spike from exceeding the BV_{dss} rating of a MOSFET. A power MOSFET must have high voltage capability with lower on-resistance and smaller gate charge for higher efficiency.

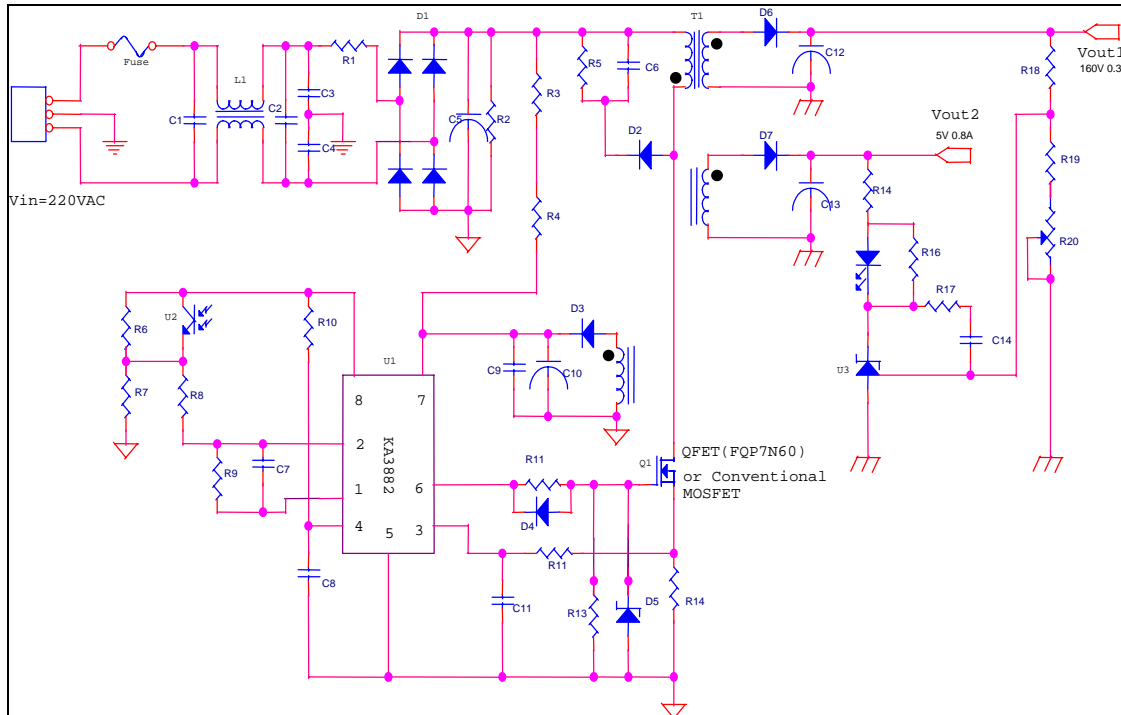


Figure 3: Flyback Converter Circuit Diagram

1. 'n' indicates a turns ratio of the transformer windings. The voltage of $V_{in} + nV_o + \text{leakage inductance voltage}$ of the transformer appears at the primary side.

Table 2: Power Supply Specifications

1. Operating mode	:	Flyback Discontinuous Mode
2. Input voltage (V_{in})	:	180 VAC to 265 VAC (50Hz/60Hz)
3. Switching frequency (f_{sw})	:	80 kHz
4. Output voltage (V_{out})	:	A. 160V \pm 5% 0.3A B. 15V \pm 5% 0.8A
5. Efficiency (η)	:	75%

This flyback converter was tested in rated conditions of 220VAC input voltage, 80kHz switching frequency, and 60W output power.

Figure 4 shows the waveforms for rated operating conditions using the QFET(FQP7N60) as the switching device. The QFET is driven by a gate-source voltage of 15V and the voltage spike across the drain-source terminal is adequately clamped to about 500V by an additional clamp circuit during off-time.

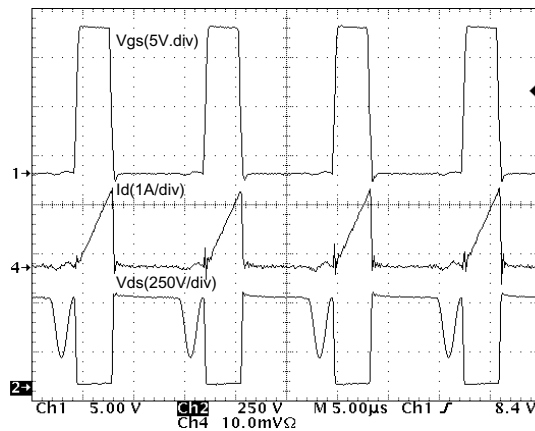


Figure 4: Operating Waveforms at Rated Conditions (V_{in} =220VAC, P_{out} =60W)

Figure 5 compares the waveforms of a conventional MOSFET with the new QFET(FQP7N60) at turn-off without the additional clamped circuit (R5, C6, and D2), and the high conduction diode (D4) for gate discharging (refer to Figure 3).

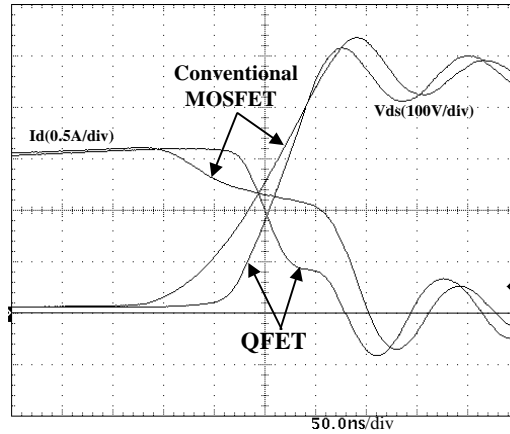


Figure 5: Turn-off Improvement at Rated Conditions ($V_{in}=220VAC$, $P_{out}=60W$)

Note that the switching time of the QFET is faster than that of the conventional MOSFET because of the reduction of gate charge by at least 45 percent. Figure 6 shows the difference in turn-off loss between both MOSFETs without clamped circuits and the conduction diode, D4. The turn-on loss in the crossover losses is very small and can be negligible. The turn-off loss period is due to the finite switching time of the MOSFET which is directly related to the gate charge.

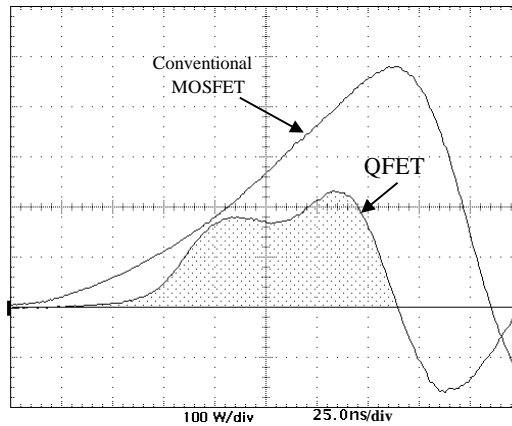


Figure 6: Turn-off Loss Improvement

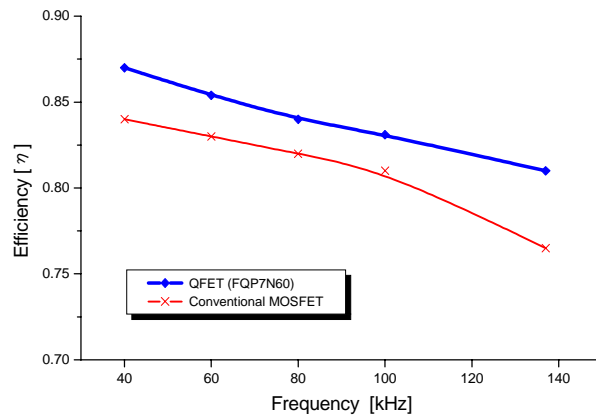


Figure 7: Efficiency vs. Frequency (40~140 kHz, @ $V_{in}=220VAC$, $P_{out}=60W$)

The turn-off loss area of QFET(FQP7N60) is half that of of the MOSFET.

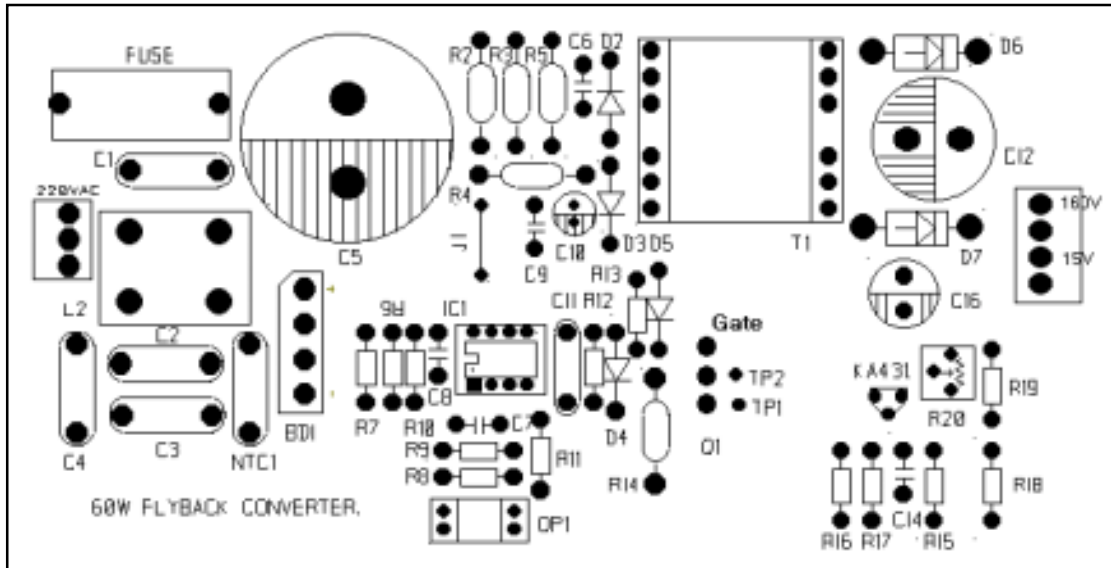
During turn on and off, there is a short period when there is a significant overlap of voltage and current across the MOSFET. Figure 5 shows that the QFET(FQP7N60) has a shorter overlap period than the conventional MOSFET, resulting in a lower loss (Figure 6). In Figure 7 the efficiencies of the converter are calculated without D4 (high conduction diode, refer to Figure 3) operating at rated conditions of 220 VAC input voltage and 60 watt output as a function of frequency. As shown in Figure 7, the QFET (FQP7N60) design is more efficient than its conventional MOSFET counterpart. The advantage of QFET design is more pronounced as the switching frequency of the power supply increases. These waveforms clearly demonstrate that faster switching translates into lower switching loss and much better efficiency.

Summary

To ensure high efficiency and reliable performance of the flyback converter, or any other converter, the designer must ensure that the MOSFET operates effectively with lower on-resistance and gate charge in the system. In this application note, that QFET(FQP7N60) flyback design demonstrates higher efficiency than the previous MOSFET design because of the improvement of on-resistance and gate charge. The other series of Fairchild's QFETs with high voltage ratings (600, 800, and 900 V) allow designers to improve the performance of a switching mode power supply by a significant reduction in gate charge and on-resistance.

Appendix:

A. The printed circuit board layout



Rev D, July 2000

B. Parts List

Designator	Value	Designator	Value	Designator	Value
C1, C2, C3, C4	0.0047 μ F	R1	NTC	R19	1.9 k Ω (1/4W)
C5	220 μ F	R2	220 k Ω (1W)	R20	500 Ω (variable)
C6	0.0022 μ F	R3	220 k Ω (1W)	L1	BSF2125
C7	0.0033 μ F	R4	220 k Ω (1W)	T1	Transformer
C8	0.0022 μ F	R5	68 k Ω (1W)	U1	KA3882
C9	100 μ F	R6	12 k Ω (1/4W)	U2	PC817 (Photocoupler)
C10	10 nF	R7	2.7 k Ω (1/4W)	U3	KA431
C11	560 pF	R8	100 k Ω (1/4W)	Q1	FQP7N60
C12	33 μ F	R9	100 k Ω (1/4W)		
C13	1000 μ F	R10	9 k Ω (1/4W)		
C14	10 nF	R11	50 k Ω (1/4W)		
D1	Bridge Diode	R12	1 k Ω (1/4W)		
D2	1N4937	R13	100 k Ω (1/4W)		
D3	1N4937	R14	0.5 k Ω (1W)		
D4	1N4148	R15	5 k Ω (1/4W)		
D5	1N4744	R16	1 k Ω (1/4W)		
D6	FR304	R17	33 k Ω (1/4W)		
D7	UF5404	R18	120 k Ω (1/4W)		

TRADEMARKS

The following are registered and unregistered trademarks Fairchild Semiconductor owns or is authorized to use and is not intended to be an exhaustive list of all such trademarks.

ACE _x TM	HiSeC TM	SuperSOT TM -8
Bottomless TM	ISOPLANAR TM	SyncFET TM
CoolFET TM	MICROWIRE TM	TinyLogic TM
CROSSVOLT TM	POP TM	UHC TM
E ² CMOS TM	PowerTrench [®]	VCX TM
FACT TM	QFET TM	
FACT Quiet Series TM	QS TM	
FAST [®]	Quiet Series TM	
FAST _r TM	SuperSOT TM -3	
GTO TM	SuperSOT TM -6	

DISCLAIMER

FAIRCHILD SEMICONDUCTOR RESERVES THE RIGHT TO MAKE CHANGES WITHOUT FURTHER NOTICE TO ANY PRODUCTS HEREIN TO IMPROVE RELIABILITY, FUNCTION OR DESIGN. FAIRCHILD DOES NOT ASSUME ANY LIABILITY ARISING OUT OF THE APPLICATION OR USE OF ANY PRODUCT OR CIRCUIT DESCRIBED HEREIN; NEITHER DOES IT CONVEY ANY LICENSE UNDER ITS PATENT RIGHTS, NOR THE RIGHTS OF OTHERS.

LIFE SUPPORT POLICY

FAIRCHILD'S PRODUCTS ARE NOT AUTHORIZED FOR USE AS CRITICAL COMPONENTS IN LIFE SUPPORT DEVICES OR SYSTEMS WITHOUT THE EXPRESS WRITTEN APPROVAL OF FAIRCHILD SEMICONDUCTOR INTERNATIONAL.

As used herein:

1. Life support devices or systems are devices or systems which, (a) are intended for surgical implant into the body, or (b) support or sustain life, or (c) whose failure to perform when properly used in accordance with instructions for use provided in the labeling, can be reasonably expected to result in significant injury to the user.
2. A critical component is any component of a life support device or system whose failure to perform can be reasonably expected to cause the failure of the life support device or system, or to affect its safety or effectiveness.

PRODUCT STATUS DEFINITIONS

Definition of Terms

Datasheet Identification	Product Status	Definition
Advance Information	Formative or In Design	This datasheet contains the design specifications for product development. Specifications may change in any manner without notice.
Preliminary	First Production	This datasheet contains preliminary data, and supplementary data will be published at a later date. Fairchild Semiconductor reserves the right to make changes at any time without notice in order to improve design.
No Identification Needed	Full Production	This datasheet contains final specifications. Fairchild Semiconductor reserves the right to make changes at any time without notice in order to improve design.
Obsolete	Not In Production	This datasheet contains specifications on a product that has been discontinued by Fairchild semiconductor. The datasheet is printed for reference information only.

ON Semiconductor and  are trademarks of Semiconductor Components Industries, LLC dba ON Semiconductor or its subsidiaries in the United States and/or other countries. ON Semiconductor owns the rights to a number of patents, trademarks, copyrights, trade secrets, and other intellectual property. A listing of ON Semiconductor's product/patent coverage may be accessed at www.onsemi.com/site/pdf/Patent-Marking.pdf. ON Semiconductor reserves the right to make changes without further notice to any products herein. ON Semiconductor makes no warranty, representation or guarantee regarding the suitability of its products for any particular purpose, nor does ON Semiconductor assume any liability arising out of the application or use of any product or circuit, and specifically disclaims any and all liability, including without limitation special, consequential or incidental damages. Buyer is responsible for its products and applications using ON Semiconductor products, including compliance with all laws, regulations and safety requirements or standards, regardless of any support or applications information provided by ON Semiconductor. "Typical" parameters which may be provided in ON Semiconductor data sheets and/or specifications can and do vary in different applications and actual performance may vary over time. All operating parameters, including "Typicals" must be validated for each customer application by customer's technical experts. ON Semiconductor does not convey any license under its patent rights nor the rights of others. ON Semiconductor products are not designed, intended, or authorized for use as a critical component in life support systems or any FDA Class 3 medical devices or medical devices with a same or similar classification in a foreign jurisdiction or any devices intended for implantation in the human body. Should Buyer purchase or use ON Semiconductor products for any such unintended or unauthorized application, Buyer shall indemnify and hold ON Semiconductor and its officers, employees, subsidiaries, affiliates, and distributors harmless against all claims, costs, damages, and expenses, and reasonable attorney fees arising out of, directly or indirectly, any claim of personal injury or death associated with such unintended or unauthorized use, even if such claim alleges that ON Semiconductor was negligent regarding the design or manufacture of the part. ON Semiconductor is an Equal Opportunity/Affirmative Action Employer. This literature is subject to all applicable copyright laws and is not for resale in any manner.

PUBLICATION ORDERING INFORMATION

LITERATURE FULFILLMENT:

Literature Distribution Center for ON Semiconductor
19521 E. 32nd Pkwy, Aurora, Colorado 80011 USA
Phone: 303-675-2175 or 800-344-3860 Toll Free USA/Canada
Fax: 303-675-2176 or 800-344-3867 Toll Free USA/Canada
Email: orderlit@onsemi.com

N. American Technical Support: 800-282-9855 Toll Free
USA/Canada
Europe, Middle East and Africa Technical Support:
Phone: 421 33 790 2910
Japan Customer Focus Center
Phone: 81-3-5817-1050

ON Semiconductor Website: www.onsemi.com
Order Literature: <http://www.onsemi.com/orderlit>
For additional information, please contact your local
Sales Representative