



Is Now Part of



ON Semiconductor®

To learn more about ON Semiconductor, please visit our website at

www.onsemi.com

ON Semiconductor and the ON Semiconductor logo are trademarks of Semiconductor Components Industries, LLC dba ON Semiconductor or its subsidiaries in the United States and/or other countries. ON Semiconductor owns the rights to a number of patents, trademarks, copyrights, trade secrets, and other intellectual property. A listing of ON Semiconductor's product/patent coverage may be accessed at www.onsemi.com/site/pdf/Patent-Marking.pdf. ON Semiconductor reserves the right to make changes without further notice to any products herein. ON Semiconductor makes no warranty, representation or guarantee regarding the suitability of its products for any particular purpose, nor does ON Semiconductor assume any liability arising out of the application or use of any product or circuit, and specifically disclaims any and all liability, including without limitation special, consequential or incidental damages. Buyer is responsible for its products and applications using ON Semiconductor products, including compliance with all laws, regulations and safety requirements or standards, regardless of any support or applications information provided by ON Semiconductor. "Typical" parameters which may be provided in ON Semiconductor data sheets and/or specifications can and do vary in different applications and actual performance may vary over time. All operating parameters, including "Typicals" must be validated for each customer application by customer's technical experts. ON Semiconductor does not convey any license under its patent rights nor the rights of others. ON Semiconductor products are not designed, intended, or authorized for use as a critical component in life support systems or any FDA Class 3 medical devices or medical devices with a same or similar classification in a foreign jurisdiction or any devices intended for implantation in the human body. Should Buyer purchase or use ON Semiconductor products for any such unintended or unauthorized application, Buyer shall indemnify and hold ON Semiconductor and its officers, employees, subsidiaries, affiliates, and distributors harmless against all claims, costs, damages, and expenses, and reasonable attorney fees arising out of, directly or indirectly, any claim of personal injury or death associated with such unintended or unauthorized use, even if such claim alleges that ON Semiconductor was negligent regarding the design or manufacture of the part. ON Semiconductor is an Equal Opportunity/Affirmative Action Employer. This literature is subject to all applicable copyright laws and is not for resale in any manner.



AN-7515

Combined Single-Pulse and Repetitive UIS Rating System

Summary

A rating system for Unclamped Inductive Switching (UIS) in PowerMOS transistors already widely accepted and implemented on Fairchild PowerMOS transistor datasheets can be applied to a wide range of applications and expanded to cover repetitive UIS pulses by superposition. This allows PowerMOS transistor users to determine if their application lies within the rated capability of a power transistor. Two examples are given of the analysis of UIS stress level in representative applications. The ability of PowerMOS transistors to withstand UIS has been recognized since 1985. Although Blackburn has clearly shown^[1] UIS stress level is not directly related to energy, many manufacturers of PowerMOS transistors persist in rating their devices in terms of energy capability. Since the energy capability varies with the operating conditions, this rating is valid only at the condition specified and the PowerMOS transistor user has no way to calculate whether the particular application exceeds the device rating. Ronan has defined a rating system^[3], herein after called the UIS Rating System, that allows manufacturers to specify the capability of PowerMOS transistors for single-pulse UIS in such a way that users can determine if the application exposes the device to more UIS stress than is guaranteed in the datasheet.

Single-Pulse UIS Rating System

This UIS Rating System requires the user to determine only the peak current through the PowerMOS transistor (I_{AS}), the junction temperature at the start of the UIS pulse (T_J), and the time the transistor remains in avalanche (t_{AV}). It allows the determination of the conformance of any application to a specified UIS capability where the worst-case conditions can be simulated. It is also quite feasible to calculate the UIS stresses for circuits not yet constructed or conditions not easily simulated.

The UIS rating for a PowerMOS transistor (see Figure 1) is presented as a chart with a vertical axis of (I_{AS}) maximum avalanche current vs. (t_{AV}) time in avalanche as the horizontal axis. Two lines are shown, one for 25°C and one for a higher junction temperature. It is fairly easy, in most applications, to determine the avalanche current and time in avalanche in an existing application by using a current probe. If the time in avalanche and avalanche current plotted on the UIS rating curve fall above and to the right of the 25°C line, the application is beyond the UIS rating of the device and the user stands a risk of device failure. If the time and current plotted

on the rating curve fall below and to the left of the maximum junction temperature line, the application is within the UIS rating of the device. In either case, no further analysis is needed. If the time and current plotted on the rating chart falls between the 25°C and the maximum junction temperature lines, further analysis is required.

To analyze those cases where the starting temperature and time in avalanche fall between the 25°C and maximum junction temperature line, determine the junction temperature of the PowerMOS transistor at the start of the UIS pulse. If the UIS stress occurs after a long period in conduction, it may be sufficient to measure the case temperature of the device and calculate the temperature rise between the case and junction from the dissipation and thermal resistance of the device. Any other approach may be used. Once the junction temperature at the start of the pulse has been determined, extrapolate between the two published rating curves to determine the UIS capability at that starting junction temperature.

Ronan^[3], Stoltenburg^[2] and Blackburn^[1] have all indicated that the UIS capability $I_{AS}^2 t_{AV}$ is a linear function of temperature. Using this allows a straight line extrapolation of the UIS capability of the device at the calculated junction temperature. Then compare the calculated capability to the stress to determine if the device is within ratings. This simple approach allows users to decide if the application is safe for any single UIS pulse.

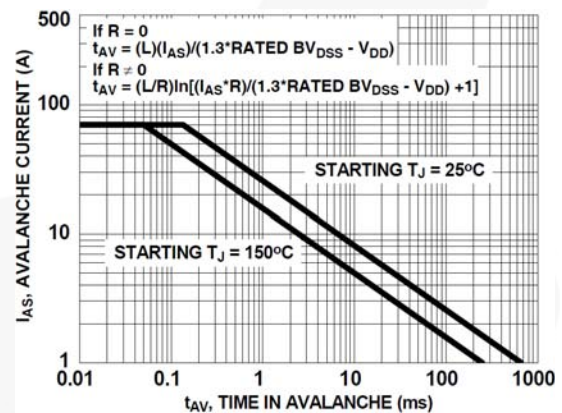


Figure 1. FDB8444 Unclamped Inductive Switching (Single-Pulse UIS)

Multiple or Repetitive UIS

The handling of repetitive UIS pulses has been mostly ignored by PowerMOS transistor manufacturers except for an attempt by one manufacturer to rate repetitive UIS at 0.01% of the 25°C power rating with no further qualifications. The UIS rating system outlined by Ronan's^[3] is applicable to repetitive pulses by using the technique of superposition as is commonly used in evaluating repetitive SOA pulses. Each UIS pulse is considered a separate event and evaluated as if no other pulse existed. It is necessary only to determine I_{AV} (avalanche current), t_{AV} (time in avalanche), and T_J (junction temperature at the start of the pulse); just as in the single pulse case^[6]. Usually the last pulse in a series occurs at the highest junction temperature and is therefore the most severe stress. If the PowerMOS transistor is within the specified UIS rating for that pulse, it is certainly within the UIS ratings for previous pulses that occurred at a lower junction temperature.

The junction temperature variation of a PowerMOS transistor over a full repetitive period is usually very small. The device has a thermal capacitance and does not change temperature instantaneously, so using average junction temperature for starting temperature to evaluate avalanche stress does not usually result in appreciable error. Where the period is long, other means must be used to determine junction temperature at the start of the UIS pulse.

Examples

The following two examples shown next are intended only to illustrate the techniques used to calculate whether or not a PowerMOS transistor is within its UIS rating. Since UIS capability is an interactive function of other environmental stresses, it is necessary to include some calculation of other operating conditions as part of this analysis. The operating conditions in both examples are calculated rather than measured since the determination of UIS capability using measured values for I_{AV} and t_{AV} seemed trivial and self explanatory. The first example is a "single" pulse stress with sufficient time between stresses so that there is no interaction between subsequent pulses. The second has a period short enough that the temperature variation over a period is small.

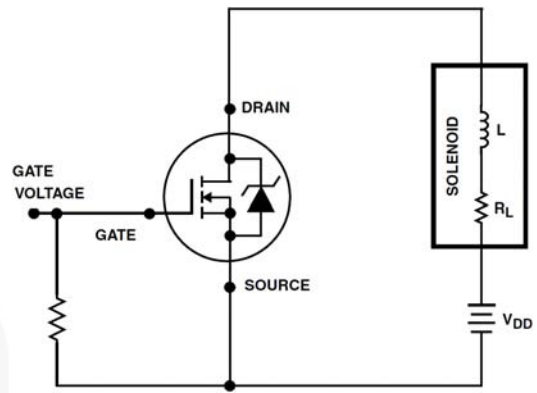


Figure 2. Schematic

Solenoid Driver: Single Pulse

Given: $V_{DD}=13.4V$

$R_L=1.25\Omega$

Pulse width=Steady state ON

Transistor=FDB8444, $R_{DS(ON)}=5.5m\Omega$

Gate "on" drive=10V

Maximum $T_J=150^\circ C$

$T_A=110^\circ C$

Calculate: L (Maximum allowable inductance)

θ_{CA} (Required case-to-ambient thermal resistance)

$R_{TOTAL}=R_L + R_{DS(ON)}=1.25 + (0.0055 \times 1.67)$ (see Figure 3 for the 150C r_n multiplication factor)

$R_{TOTAL}=1.259\Omega$

$I_{AVALANCHE}=213.4/1.259=10.64A$ (peak avalanche current)

Using the guideline that the avalanche voltage is equal to the rated breakdown rating multiplied by 1.3:

$V_{AVALANCHE}=40 \times 1.3=52V$

$t_{AVALANCHE}=(L/ R_{TOTAL}) \times \ln[(I_{AV} \times R_{TOTAL})/(V_{AV} - V_{DD}) + 1]$

$t_{AVALANCHE}=(L/1.259) \times \ln[(10.64 \times 1.259)/(52 - 13.4) + 1]$

$L=t_{AVALANCHE} / 0.237$

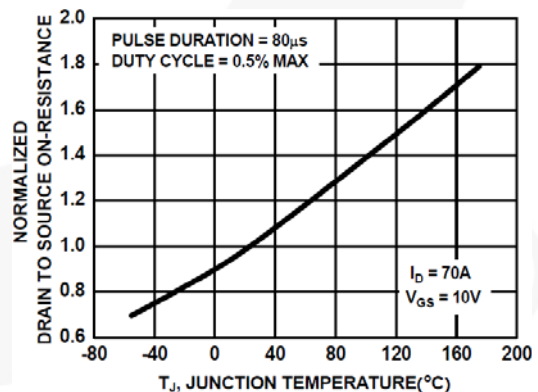


Figure 3. FDB8444 Normalized $I_{DS(ON)}$ vs. Junction Temperature

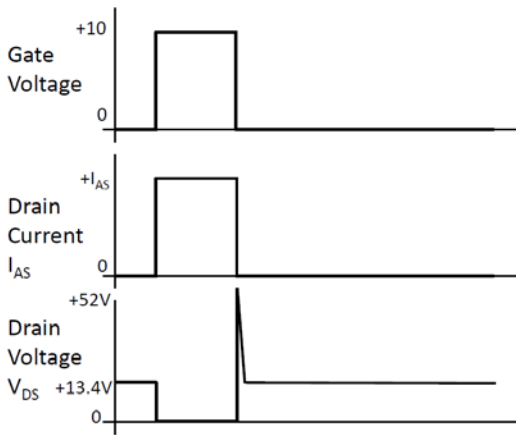


Figure 4. Single UIS Event Waveform

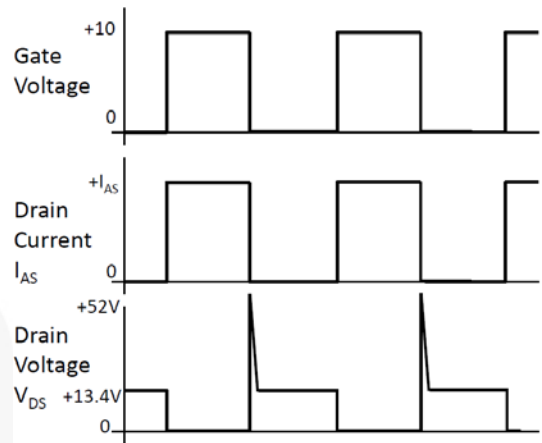


Figure 6. Repetitive UIS Waveform

Referring to the FDB8444 UIS chart (see Figure 1) at 150°C and for IAS=10.64A, read an allowable tAVALANCHE of 2ms. This gives a maximum allowable L of:

$$L = (0.002)/0.237 = 8.45mH \tag{1}$$

where L= maximum allowable inductance

Now to calculate the required heat sink thermal resistance:

$$P_D = (I^2 \times R_{DS(ON)}) = (10.06^2) \times (0.0055 \times 1.67) = 1.04W \tag{2}$$

$$\Theta_{CA} = [T_{JMAX} - P_D \times \Theta_{JC} - T_A]/P_D \tag{3}$$

$$\Theta_{CA} = [150 - (1.04 \times 0.9) - 110]/1.04 \tag{4}$$

where required case to ambient thermal resistance.

$$\Theta_{CA} = 37.6^\circ C/W \tag{5}$$

Example 2

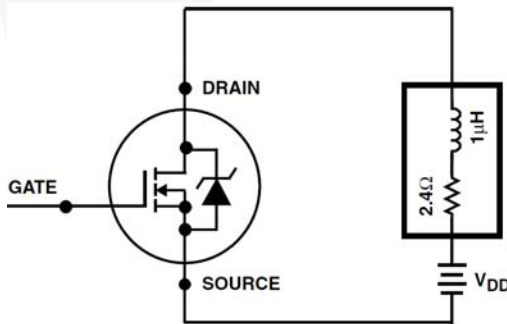


Figure 5. Schematic

Switching Regulator =100kHz

Given:

Frequency=100kHz

Duty Cycle=50%

RL=2.4Ω

VDD=13.4V

TA=110°C

TJUNCTION=150°C maximum junction temperature objective

L=1μH (leakage inductance)

PowerMOS transistor=FDB8444 (rated Tj is 175°C).

Determine:

Is the PowerMOS transistor within UIS rating?

What θCA is required?

$$I_{AVALANCHE} = V_{DD}/(R_L + R_{DS(ON)})$$

$$I_{AVALANCHE} = 13.4/(2.4 + (0.0055 \times 1.67)) \text{ (see Figure 3 for the } 150C \text{ } r_n \text{ multiplication factor)}$$

$$I_{AVALANCHE} = 5.56A$$

$$t_{AVALANCHE} = (L / (R_L + r_{DS(ON)}) \times \ln[(I_{AV} \times (R_L + R_{DS(ON)})) / (V_{AV} - V_{DD}) + 1]$$

$$t_{AVALANCHE} = (1E-6 / 2.409) \times \ln[5.34 \times 2.409 / (52 - 13.4) + 1]$$

$$t_{AVALANCHE} = 0.124\mu s$$

Referring to the FDB8444 UIS chart (see Figure 1) at 5.56A, device has a tAVALANCHE capability at 150°C of 7.5ms.

This application does not challenge the UIS capability of the FDB8444.

Calculate the required heat sink thermal resistance:

$$E_{AVALANCHE} = (V_{AVALANCHE} \times I_{AVALANCHE} \times t_{AVALANCHE}) / 2$$

$$E_{AV} = ((40 \times 1.3) \times 5.34 \times (0.119\mu)) / 2$$

$$E_{AV} = 17.9\mu J \text{ per avalanche}$$

$$P_{AVALANCHE} = E_{AVALANCHE} \times \text{frequency}$$

$$P_{AVALANCHE} = 17.9\mu \times 100K$$

$$P_{AVALANCHE} = 1.78W$$

$$P_{CONDUCTION} = (I_{AV}^2 \times R_{DS(ON)}) / 2$$

$$P_C = ((5.56)^2 \times 0.00919) / 2$$

$$P_C = 0.14W$$

$$P_{TOTAL} = P_{AV} + P_C$$

$$P_{TOTAL} = 1.78 + 0.14$$

$$P_{TOTAL} = 1.93W$$

$$\Theta_{CA} = [T_{JMAX} - (P_{TOTAL} \times \Theta_{JC}) - T_A] / P_{TOTAL}$$

$$\Theta_{CA} = [150 - (1.93 \times 0.9) - 110] / 1.93$$

$$\Theta_{CA} = 19.8^\circ C/W \text{ as a heatsink requirement.}$$

Application to Other Circuits

Usually the designer has carefully determined the temperature of the devices over the entire range of operating conditions. Using only the junction temperature of the device at the start of a UIS pulse, the duration of the pulse, and the current level of the pulse; the designer can determine whether or not the application exceeds the UIS rating of the device. These quantities are easily measured or calculated. By superposition, this rating can be applied to multiple or repetitive pulses as illustrated in the two examples shown. Any circuit can be analyzed for UIS stress using this approach. There is no need for a separate repetitive UIS rating.

Thermal Modeling

Avalanche waveforms in operating waveforms often have avalanche currents of variable amplitudes and repetition rates. Thermal analysis of such waveforms often requires more sophisticated analysis methods to adequately estimate operating junction temperature. A reasonable estimate of the PowerMOS transistor junction temperature may be obtained with the use of circuit simulation software, the device thermal impedance model, the heatsink thermal impedance model (or a reasonable estimate of the PowerMOS transistor case temperature), and operating waveforms.

Measurement of semiconductor thermal response involves a calibrated power pulse. Power dissipated within a device causes a junction temperature rise because of the thermal impedance from the die and package. Expression $Z_{\theta JC}(t)$ describes thermal impedance as the result of a change in junction temperature divided by power dissipation.

$$Z_{\theta JC}(t) = \frac{\Delta T_J(t)}{P_D} = \frac{T_J(t) - T_J(0)}{P_D} \tag{6}$$

A basic semiconductor thermal model and its electrical analogue are shown in Figure 7. Heat is generated at the device junction, flows through the silicon to the case, and finally to the heat sink.

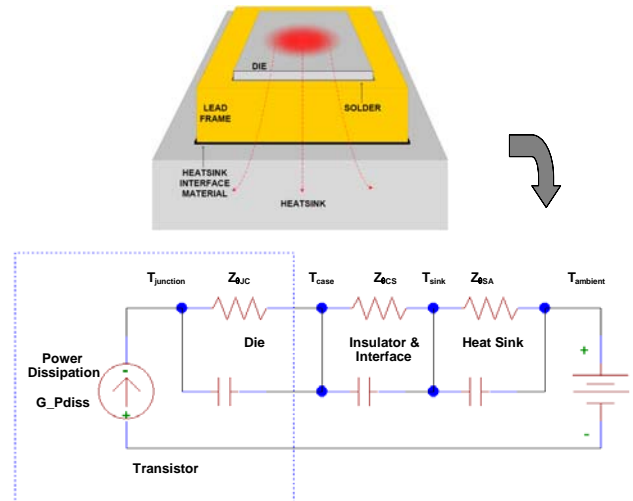


Figure 7. Semiconductor Thermal Impedance Model

Junction temperature information is determined by the inclusion of the device’s thermal network $Z_{\theta JC}$ and current source G_PDISS . G_PDISS is the semiconductor’s instantaneous operating loss and expresses the result in the form of a current. This is a circuit form representation of the junction temperature as expressed as:

$$T_J = T_{ambient} + G_Pdiss \cdot (Z_{\theta JC} + Z_{\theta CS} + Z_{\theta SA}) \tag{7}$$

where:

T_J = junction temperature

G_P_{diss} = instantaneous power loss

$Z_{\theta JC}$ = thermal impedance junction-to-case

$Z_{\theta CS}$ = thermal impedance case-to-heat sink

$Z_{\theta SA}$ = thermal impedance heat sink-to-ambient.

The unit conversion for the electrical analogy of the thermal system is listed in Table 1. $Z_{\theta JC}$ is provided in manufacturer datasheets using the single-pulse normalized thermal impedance curve as in Figure 8. $Z_{\theta JC}$ may be represented using an equivalent electrical analogy model as in Figure 9.

Table 1. Electrical / Thermal Analogy

Electrical	Thermal
Ω Resistance	°C/Watt (Thermal Resistance)
Farad (Capacitance)	Joules/°C (Thermal Capacitance)
Amp. (Current)	Watt (Power)
Volt (Voltage)	°C (Temperature)

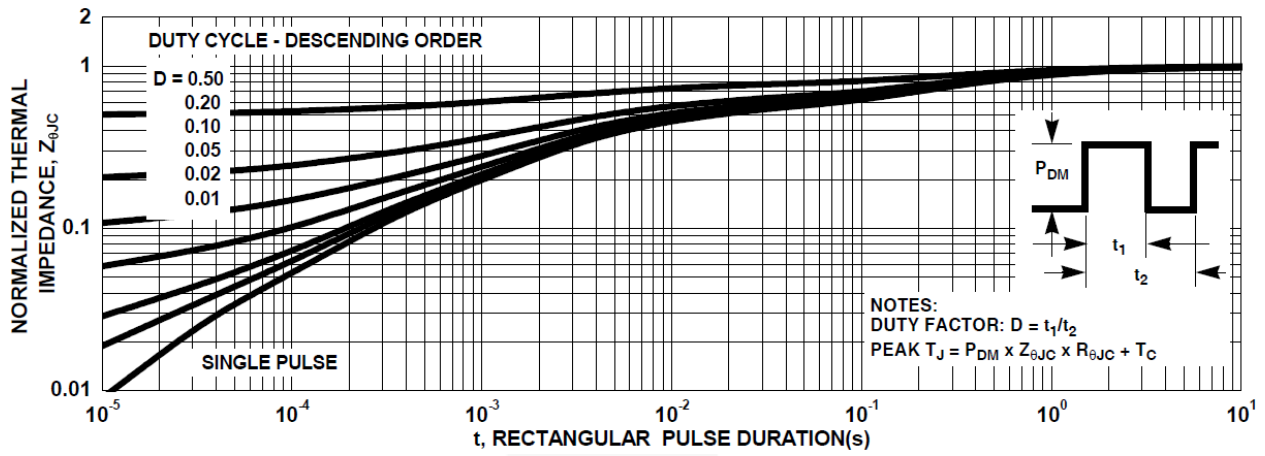


Figure 8. FSB8444 Normalized Transient Thermal Impedance Curve

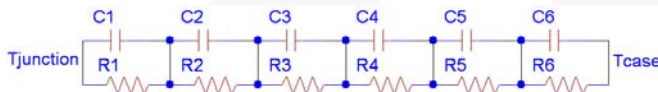


Figure 9. $Z_{\theta_{JC}}$ Thermal Impedance Model Structure

When thermal model parameters are unavailable, they may be derived from the datasheet θ_{JC} and by extracting data points from the single-pulse normalized thermal transient impedance curve. The electrical analog model may be expressed as:

$$Z(t) = R_1 \cdot (1 - e^{-\frac{t}{R_1 \cdot C_1}}) + \dots + R_6 \cdot (1 - e^{-\frac{t}{R_6 \cdot C_6}}) \quad (8)$$

R-C parameters may be found by using curve fitting software such as TableCurve 2D[®][5].

Knowing operating waveforms and system-level thermal impedance information, thermal response to complex waveforms may be analyzed. An example circuit and simulation result for an FDB8444 MOSFET at a case temperature of 125°C driving a 1mH/0.6Ω solenoid operated under repetitive avalanche during PowerMOS turn-off is shown in Figure 10. Although average power dissipation is within the 175°C device operating temperature rating (Figure 11), peak temperature excursions during avalanche exceed the maximum rating and could result in degrade a operating life of the transistor.

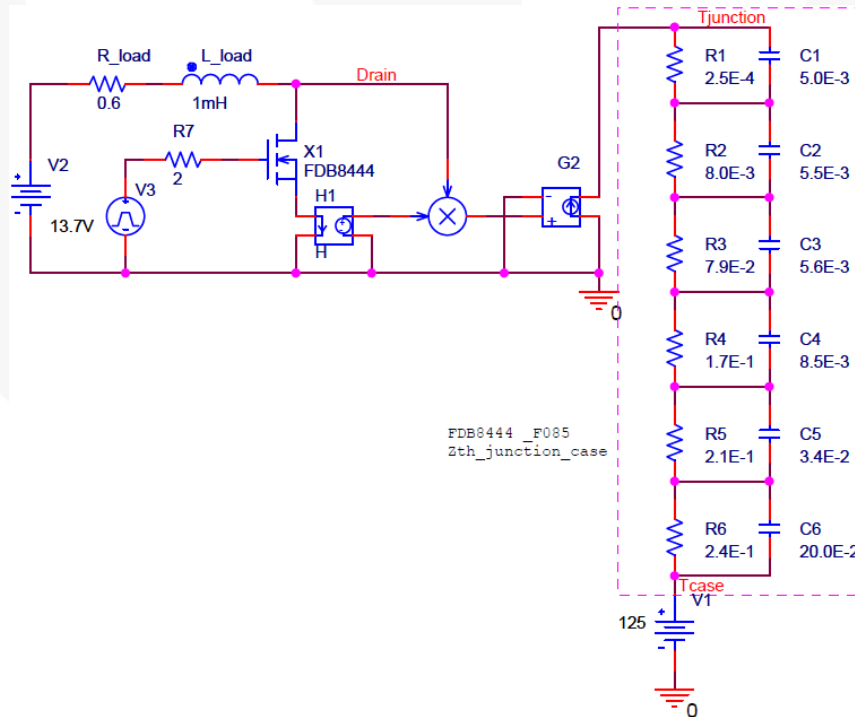


Figure 10. Electrical Analogy of System Losses

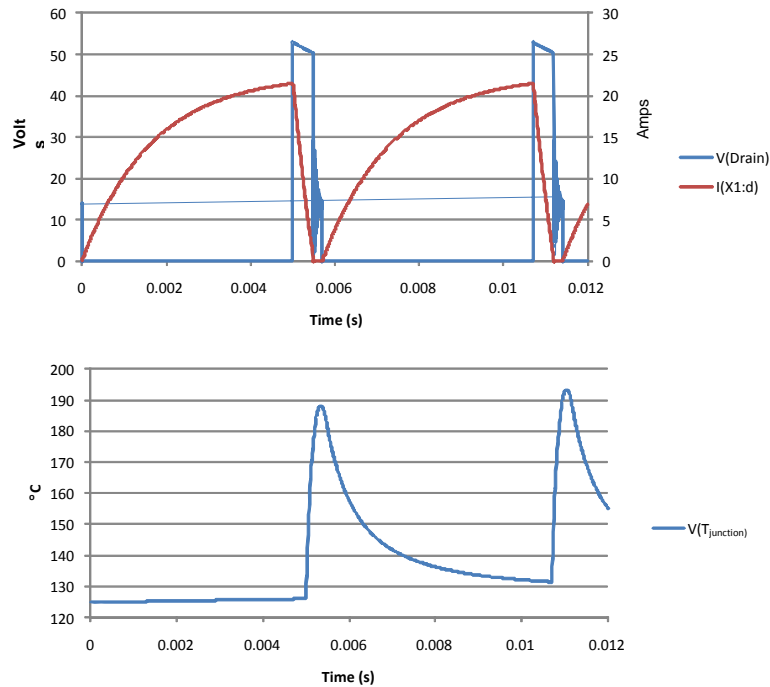


Figure 11. Simulation Results

The FDB8444 MOSFET thermal impedance model is provided by an RC ladder network (R1-R6, C1-C6). Instantaneous power dissipation information is evaluated by multiplying the MOSFET current I(H1) by the drain voltage. The resulting power pulse is represented as a voltage waveform that is then converted as an electrical analogy of the power thermal pulse by current source G2. Case temperature is set with voltage source V1. A more detailed system-level thermal impedance network could be implemented in place of V1. Instantaneous junction temperature information is represented at node T_J .

Summary

Thermal analysis methods for simple and complex repetitive UIS events were described. Reasonable junction temperature estimates can be made given single-pulse UIS datasheet rating curves, PowerMOS thermal impedance models, and an analytical understanding of the transistor ambient operating condition.

References

For Fairchild documents available on the internet, see web site <http://www.fairchildsemi.com>

- [1] D.L. Blackburn, "Turn-off Failure of Power MOSFETS," Proc. 1985 IEEE Power Electronics Specialists Conference, pp 429-435, June, 1985.
- [2] Rodney R. Stoltenburg, "Boundary of Power-MOSFET Unclamped Inductive Switching (UIS) Avalanche Current Capability," Proc. 1989 Applied Power Electronics Conference, pp 359-364, March 1989.
- [3] Harold R. Ronan, "Rating System Compares Single Pulse Unclamped Inductive Switching for MOSFETS," Power Conversion and Intelligent Motion, pp 32-40, September 1991.
- [4] Fairchild Semiconductor Corporation, Datasheet FDB8444, <http://www.fairchildsemi.com>.
- [5] <http://www.systat.com/products/TableCurve2D/>
- [6] Fairchild Semiconductor Corporation, "Single Pulse Unclamped Inductive Switching: A Rating System", Application Note AN7514", <http://www.fairchildsemi.com>.

DISCLAIMER

FAIRCHILD SEMICONDUCTOR RESERVES THE RIGHT TO MAKE CHANGES WITHOUT FURTHER NOTICE TO ANY PRODUCTS HEREIN TO IMPROVE RELIABILITY, FUNCTION, OR DESIGN. FAIRCHILD DOES NOT ASSUME ANY LIABILITY ARISING OUT OF THE APPLICATION OR USE OF ANY PRODUCT OR CIRCUIT DESCRIBED HEREIN; NEITHER DOES IT CONVEY ANY LICENSE UNDER ITS PATENT RIGHTS, NOR THE RIGHTS OF OTHERS.

LIFE SUPPORT POLICY

FAIRCHILD'S PRODUCTS ARE NOT AUTHORIZED FOR USE AS CRITICAL COMPONENTS IN LIFE SUPPORT DEVICES OR SYSTEMS WITHOUT THE EXPRESS WRITTEN APPROVAL OF THE PRESIDENT OF FAIRCHILD SEMICONDUCTOR CORPORATION.

As used herein:

1. Life support devices or systems are devices or systems which, (a) are intended for surgical implant into the body, or (b) support or sustain life, or (c) whose failure to perform when properly used in accordance with instructions for use provided in the labeling, can be reasonably expected to result in significant injury to the user.
2. A critical component is any component of a life support device or system whose failure to perform can be reasonably expected to cause the failure of the life support device or system, or to affect its safety or effectiveness.

ON Semiconductor and  are trademarks of Semiconductor Components Industries, LLC dba ON Semiconductor or its subsidiaries in the United States and/or other countries. ON Semiconductor owns the rights to a number of patents, trademarks, copyrights, trade secrets, and other intellectual property. A listing of ON Semiconductor's product/patent coverage may be accessed at www.onsemi.com/site/pdf/Patent-Marking.pdf. ON Semiconductor reserves the right to make changes without further notice to any products herein. ON Semiconductor makes no warranty, representation or guarantee regarding the suitability of its products for any particular purpose, nor does ON Semiconductor assume any liability arising out of the application or use of any product or circuit, and specifically disclaims any and all liability, including without limitation special, consequential or incidental damages. Buyer is responsible for its products and applications using ON Semiconductor products, including compliance with all laws, regulations and safety requirements or standards, regardless of any support or applications information provided by ON Semiconductor. "Typical" parameters which may be provided in ON Semiconductor data sheets and/or specifications can and do vary in different applications and actual performance may vary over time. All operating parameters, including "Typicals" must be validated for each customer application by customer's technical experts. ON Semiconductor does not convey any license under its patent rights nor the rights of others. ON Semiconductor products are not designed, intended, or authorized for use as a critical component in life support systems or any FDA Class 3 medical devices or medical devices with a same or similar classification in a foreign jurisdiction or any devices intended for implantation in the human body. Should Buyer purchase or use ON Semiconductor products for any such unintended or unauthorized application, Buyer shall indemnify and hold ON Semiconductor and its officers, employees, subsidiaries, affiliates, and distributors harmless against all claims, costs, damages, and expenses, and reasonable attorney fees arising out of, directly or indirectly, any claim of personal injury or death associated with such unintended or unauthorized use, even if such claim alleges that ON Semiconductor was negligent regarding the design or manufacture of the part. ON Semiconductor is an Equal Opportunity/Affirmative Action Employer. This literature is subject to all applicable copyright laws and is not for resale in any manner.

PUBLICATION ORDERING INFORMATION

LITERATURE FULFILLMENT:

Literature Distribution Center for ON Semiconductor
19521 E. 32nd Pkwy, Aurora, Colorado 80011 USA
Phone: 303-675-2175 or 800-344-3860 Toll Free USA/Canada
Fax: 303-675-2176 or 800-344-3867 Toll Free USA/Canada
Email: orderlit@onsemi.com

N. American Technical Support: 800-282-9855 Toll Free
USA/Canada
Europe, Middle East and Africa Technical Support:
Phone: 421 33 790 2910
Japan Customer Focus Center
Phone: 81-3-5817-1050

ON Semiconductor Website: www.onsemi.com
Order Literature: <http://www.onsemi.com/orderlit>
For additional information, please contact your local
Sales Representative