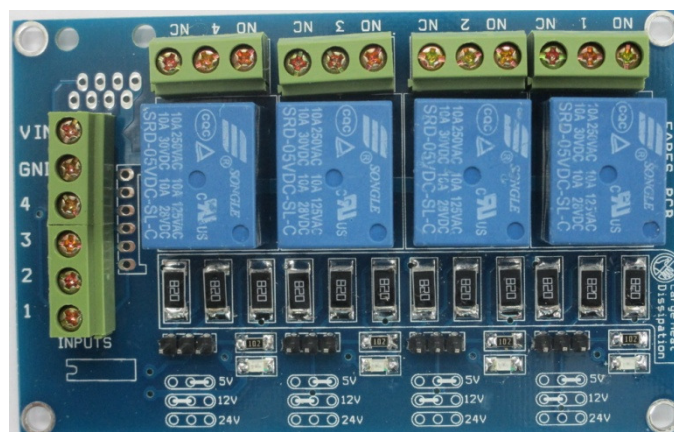


GENERAL DESCRIPTION

RK4 is a simple cheap Relay driver module. It supports four output relays that can be used to control AC and DC electrical devices such as lamps, motors, locks, solenoids. **RK4** may be powered from 5V, 12V, 24V DC supply.

Some of possible applications

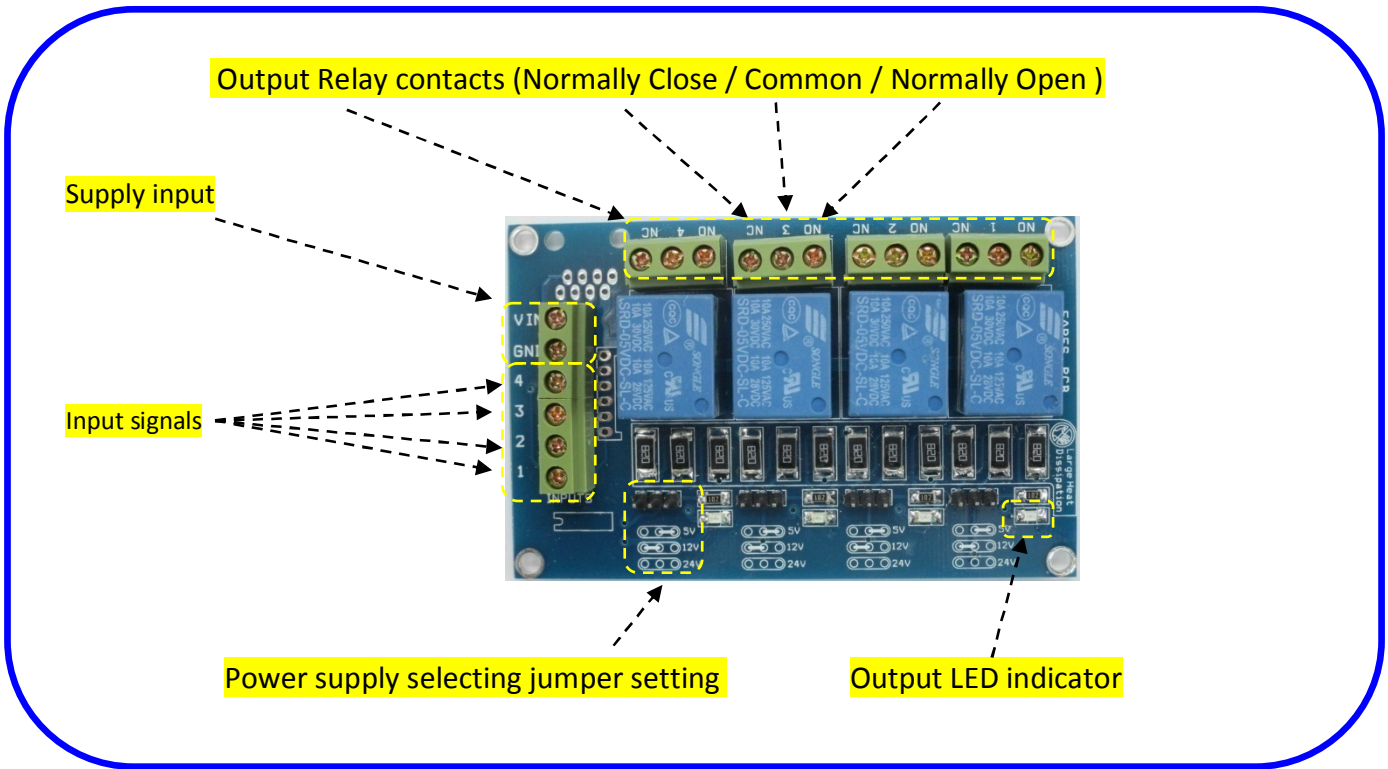
- Home Automation
- Lighting Control
- Garden Equipment Control
- Industrial Automation



RK8 features

- 1- Four output relays rated for 5A contacts (resistive load).
- 2- Flexible Power supply range (5V, 12V, 24V).
- 3- Normally open and normally closed contacts are available.
- 4- LED indicator for each relay status.
- 5 - Dimension: 95 x 60 x 17 mm.

RK4 Layout

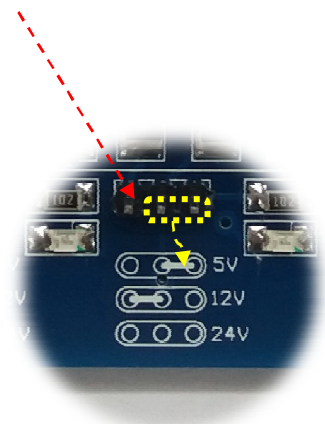
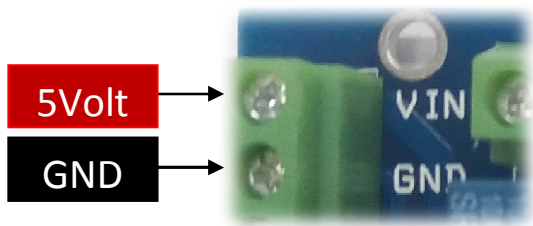


Caution:
 In case of 24 Volt supply, **RK4** Card radiates high temperature.
 Please, do not touch card while it's powered.

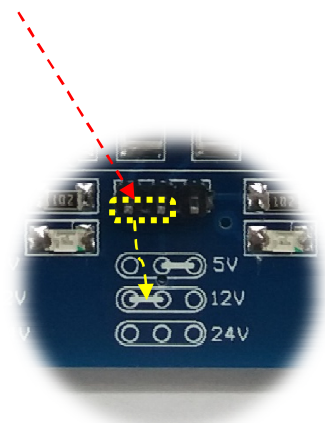
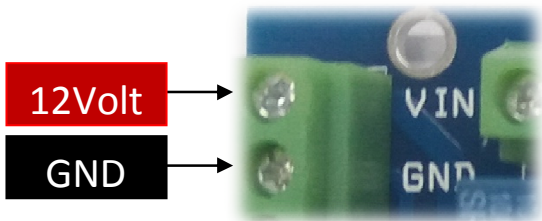
Power Supply Selecting

RK4 Card can be powered from 5V, 12V or 24V supply 500 mA minimum current via screw clamp terminal labeled (VIN, GND).

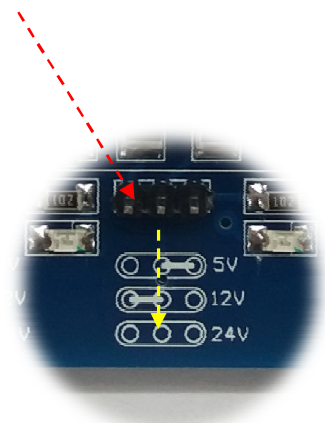
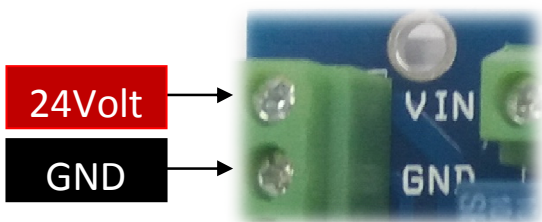
To drive card using 5 Volt Power supply, set all jumpers to 5V side as seen in figure below.



To drive card using 12 Volt Power supply, set all jumpers to 12V side as seen in figure below.



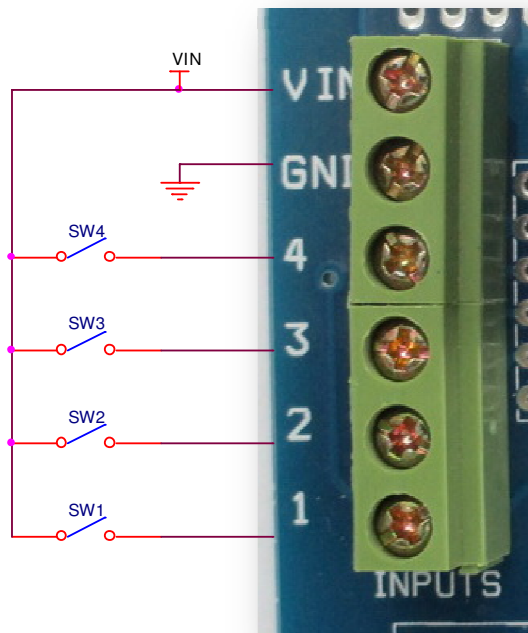
To drive card using 24 Volt Power supply, disconnect all jumpers as seen in figure below.



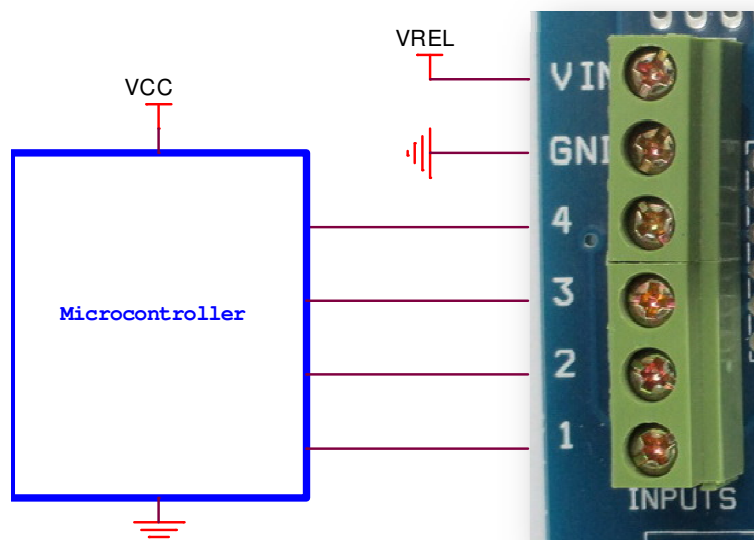
Inputs

RK4 has four inputs that can be derived from any TTL logic source or any voltage in the range from 5 to 24 volt.

Example of connecting four dry contact input switches.



Example of driving relays from microcontroller.



Copyright © 2016 by FARESPCB™

For our full range of products see our website at <http://www.farespcb-eg.com>
If you have any technical questions about our products, e-mail us at
www.support@farespcb-eg.com

FARES_{PCB} co. (Headquarters)
17 Yossif elgendy st.
Bab ellouq , Tahreer , Cairo
Egypt.
Tel: 02-23904484
Mob: 01000652977

FARES_{PCB} Co reserves the right to make changes in circuit design, software and/or specifications at any time without prior notification. For the most up-to-date information, please visit our web site at <http://www.farespcb-eg.com>

Information furnished by FARESPCB is believed to be accurate and reliable. However, FARESPCB assumes no responsibility arising from the use of the specifications described.

Warrantee: FARESPCB™ warrants its products against defects in materials and workmanship for a period of 30 days. If you discover a defect, we will, at our option, repair or replace your product or refund your purchase price. This warrantee does not cover products that have been physically abused or misused in any way.

Distributor:
RAM Electronics
32 El Falaky St. Bab El Louk
Tahreer, Cairo
Egypt.
Tel: 02-27960551
www.ram.com.eg
Sales@ram-electronics.com

RAM® Electronics
INTEGRATED SOLUTIONS AT ONE PLACE