

NUMBER <b>GS-20-033</b>	CATEGORY <b>APPLICATION SPECIFICATION</b>	<b>Amphenol FCI</b>	
TITLE <b>MEG-Array® High Speed Mezzanine Connectors</b>		PAGE 1 of 23	REVISION J
		GUARDIAN (VERIFIED BY) Robert Brown	DATE 04/27/16
		APPROVED BY Robert Marshall	
		CLASSIFICATION : <b>UNRESTRICTED</b>	

**1.0 OBJECTIVE**

The objective of this specification is to provide information to assist with the application and use of MEG-Array® High Speed Mezzanine BGA (Ball Grid Array) connectors system. This specification is intended to provide general guidance for process development. It is recognized that no single process will work for all board assemblies and that customers will develop processes to meet their needs. However, if these processes differ greatly from the following recommendations, FCI cannot guarantee results.

**2.0 SCOPE**

This specification provides application guidelines and requirements regarding customer application of standard MEG-Array® BGA connectors with eutectic SnPb BGA and lead free SnAgCu, RoHS compliant BGA parts to printed circuit boards.

**3.0 GENERAL**

This document is meant to be an application guide. If there is conflict between the product drawings and specifications, the drawing takes precedence.

This specification consists of the following sections:

1.0 Objective.....	1
2.0 Scope.....	1
3.0 General.....	1
4.0 Product Drawings and Applicable Documents.....	1
5.0 Application Requirements.....	3-9
6.0 Application Tooling .....	9
7.0 Application Procedure.....	9-14
8.0 Post Application Inspection.....	14
9.0 Rework / Repair Tooling.....	14
10.0 Rework Procedure Guidelines.....	14-16
11.0 Additional Information.....	16-20
12.0 Revision Record.....	21

**4.0 DRAWINGS AND APPLICABLE DOCUMENTS**

Customer drawings and FCI Product Specification GS-12-100 are available on the FCI Interactive Product Catalog Web Site <http://12.30.8.43/fci/ss.asp?FAM=Meg-Array> or by calling Technical Service at 800-237-2374 (717-938-7212 from outside the USA). Customers are advised to refer to the latest revision of FCI customer drawings for appropriate details. In the event of a conflict between this document and the drawing or product specification, the drawing and product specification will take precedence. Table 1 describes available board stack heights and numbers of contact positions to assist with connector part number selection. For details on regulative compliance such as EU Directive and RoHS reference FCI specification GS-22-008.

NUMBER	CATEGORY	<b>Amphenol FCI</b>	
<b>GS-20-033</b>	<b>APPLICATION SPECIFICATION</b>		
<b>MEG-Array® High Speed Mezzanine Connectors</b>		PAGE	REVISION
		2 of 23	J
		GUARDIAN (VERIFIED BY)	DATE
		Robert Brown	04/27/16
		APPROVED BY	Robert Marshall
		CLASSIFICATION :	<b>UNRESTRICTED</b>

Table 1: Connector Sizes and Stack Heights

Board-to-Board Height***							
Size	Type	4.0mm	6.0mm	8.0mm	10.0mm	12.0mm	14.0mm
<b>81 position 9x9</b>	<b>Plug</b>	<b>55714 0mm</b>					
	<b>Receptacle</b>	<b>55715 4mm</b>					
<b>100 position 10x10</b>	<b>Plug</b>	<b>84512 0mm</b>					
	<b>Receptacle</b>	<b>84513 4mm</b>					
<b>200 position 10x20</b>	<b>Plug</b>	<b>84516 0mm</b>	<b>84516 0mm</b>	<b>84516 0mm</b>	<b>84530 6mm</b>	<b>84530 6mm</b>	<b>84530 6mm</b>
	<b>Receptacle</b>	<b>84517 4mm</b>	<b>55724 6mm</b>	<b>84535 8mm</b>	<b>84517 4mm</b>	<b>55724 6mm</b>	<b>84535 8mm</b>
<b>300 position 10x30</b>	<b>Plug</b>	<b>84500 0mm</b>	<b>84500 0mm</b>	<b>84500 0mm</b>	<b>84578 6mm</b>	<b>84578 6mm</b>	<b>84578 6mm</b>
	<b>Receptacle</b>	<b>84501 4mm</b>	<b>84502 * 5.5mm</b>	<b>84553 8mm</b>	<b>84501 4mm</b>	<b>84502 ** 5.5mm</b>	<b>84553 8mm</b>
<b>320 position 10x32</b>	<b>Plug</b>	<b>10123981 0mm</b>					
	<b>Receptacle</b>	<b>10123982 4mm</b>					
<b>400 position 10x40</b>	<b>Plug</b>	<b>84740 0mm</b>	<b>84740 0mm</b>	<b>84740 0mm</b>	<b>84520 6mm</b>	<b>84520 6mm</b>	<b>84520 6mm</b>
	<b>Receptacle</b>	<b>74221 4mm</b>	<b>74388 6mm</b>	<b>74390 8mm</b>	<b>74221 4mm</b>	<b>74388 6mm</b>	<b>74390 8mm</b>
<b>240 position 8x30</b>	<b>Plug</b>	<b>74213 0mm</b>	<b>74213 0mm</b>				
	<b>Receptacle</b>	<b>74217 4mm</b>	<b>55755 6mm</b>				
<b>528 position 12 x 44</b>	<b>Plug</b>		<b>10022617 0mm</b>				
	<b>Receptacle</b>		<b>10026846 6mm</b>				

\*P/N 84502 mated with P/N 84500 results in a 5.5mm mated height.

\*\* P/N 84502 mated with P/N 84578 results in a 11.5mm mated height

\*\*\*Mated board-to-board height is affected by PCB pad size, plating, solder paste and solder profile.

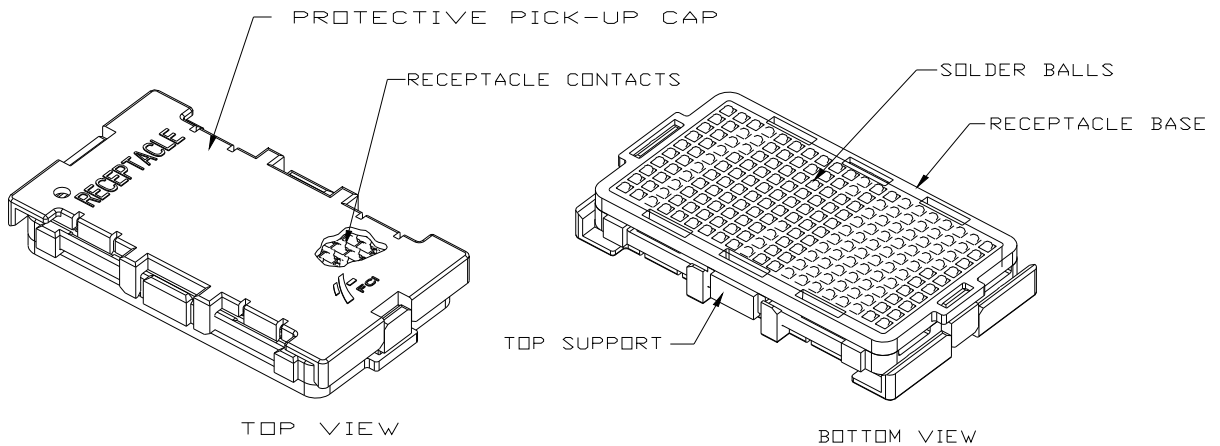
NUMBER	CATEGORY	<b>Amphenol FCI</b>	
<b>GS-20-033</b>	<b>APPLICATION SPECIFICATION</b>		
<b>MEG-Array® High Speed Mezzanine Connectors</b>		PAGE	REVISION
		3 of 23	J
		GUARDIAN (VERIFIED BY)	DATE
		Robert Brown	04/27/16
		APPROVED BY	Robert Marshall
		CLASSIFICATION :	<b>UNRESTRICTED</b>

## 5.0 APPLICATION REQUIREMENTS

### 5.1 GENERAL PRODUCT FEATURES

MEG-Array® connectors are an effective solution for high density, high-speed mezzanine applications. The taller stack height connectors support 10Gb/s data rates with less than 1% cross-talk when configured differentially. 4mm and 6mm stack heights tested to 28Gb/s. The broad range of stack heights (4mm to 14mm in 2mm increments) and numbers of contacts (81 signals to 528 signals) provide design flexibility. The connector utilizes Ball Grid Array (BGA) for solder attachment to the PCB (See Figures 1A and 1B). Connectors are available in Eutectic SnPb or Lead Free 95.5Sn / 4Ag / 0.5Cu BGA. For initial alignment during connector engagement, the plug housing has a chamfered lead-in that captures and guides the receptacle housing. To assure proper mating orientation, plug connectors are keyed with a “large slot” at one end and a “small slot” at the other end, and the receptacle parts are keyed with a “large key” at one end and a “small key” at the other end. The A1 position is identified with a “Δ” at the end of the connector.

Connectors are supplied on tape and reel (See Figure 5) and a pick-up cap is standard for vacuum pick-and-place during automated assembly.



**Figure 1A: Receptacle Connector Features**

NUMBER	CATEGORY	<b>Amphenol FCI</b>	
<b>GS-20-033</b>	<b>APPLICATION SPECIFICATION</b>		
<b>MEG-Array® High Speed Mezzanine Connectors</b>		PAGE	REVISION
		4 of 23	J
		GUARDIAN (VERIFIED BY)	DATE
		Robert Brown	04/27/16
		APPROVED BY	Robert Marshall
		CLASSIFICATION :	<b>UNRESTRICTED</b>

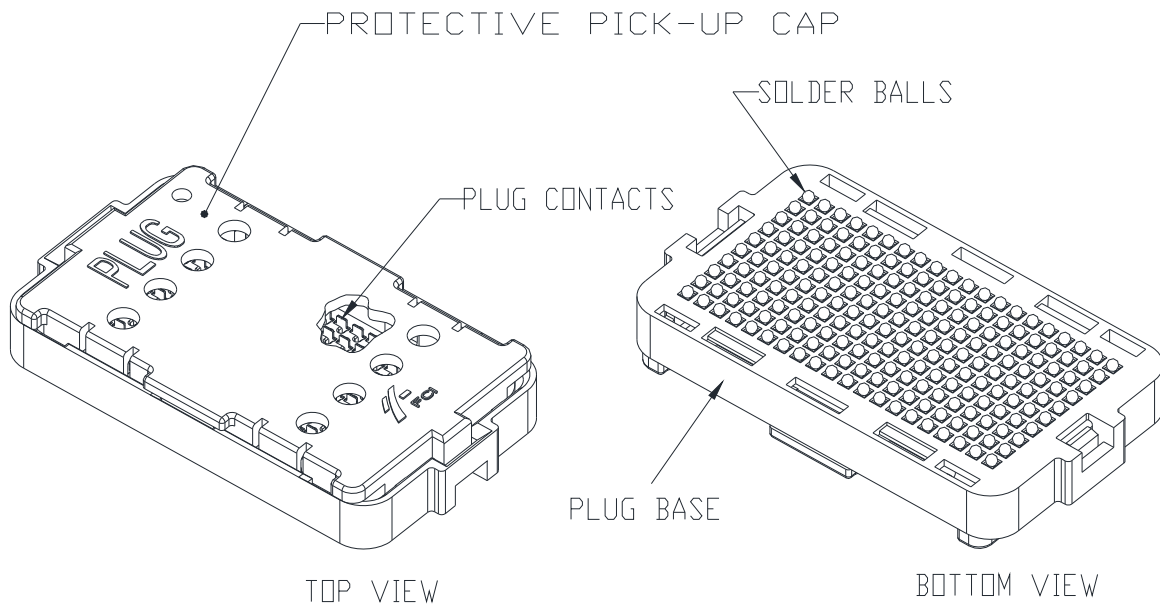
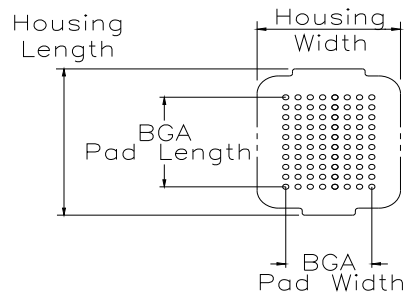


Figure 1B: Plug Connector Features

NUMBER <b>GS-20-033</b>	CATEGORY <b>APPLICATION SPECIFICATION</b>	<b>Amphenol FCI</b>	
TITLE  <b>MEG-Array® High Speed Mezzanine Connectors</b>		PAGE 5 of 23	REVISION J
		GUARDIAN (VERIFIED BY) Robert Brown	DATE 04/27/16
		APPROVED BY Robert Marshall	
		CLASSIFICATION : <b>UNRESTRICTED</b>	

## 5.2 PRODUCT SIZES

Table 2 outlines the PCB area required for each of the MEG-Array connector sizes. Table 3 provides the connector heights, weights and weight/ball.



Feature Description	81 Position (9 x 9)	100 Position (10 x 10)	200 Position (10 x 20)	240 Position (8 x 30)	300 Position (10 x 30)	320 Position (10 x 32)	400 Position (10 x 40)	528 position (12 x 44)
Housing Length (mm)	17.43	18.70	31.40	42.30	44.10	46.64	56.80	61.88
Housing width (mm)	16.07	17.34	17.34	14.80	17.34	17.34	17.34	19.88
BGA/Pad Length (mm)	10.16	11.43	24.13	36.83	36.83	39.37	49.53	54.61
BGA/Pad Width (mm)	10.16	11.43	11.43	8.89	11.43	11.43	11.43	13.97

Table 2: Connector Size and Board Space Requirements

NUMBER <b>GS-20-033</b>	CATEGORY <b>APPLICATION SPECIFICATION</b>	<b>Amphenol FCI</b>		
<b>TITLE</b>  <b>MEG-Array® High Speed Mezzanine Connectors</b>		PAGE 6 of 23	REVISION J	
		GUARDIAN (VERIFIED BY) Robert Brown	DATE 04/27/16	
		APPROVED BY Robert Marshall		
		CLASSIFICATION : <b>UNRESTRICTED</b>		

Table 3: Connector Heights and Weights

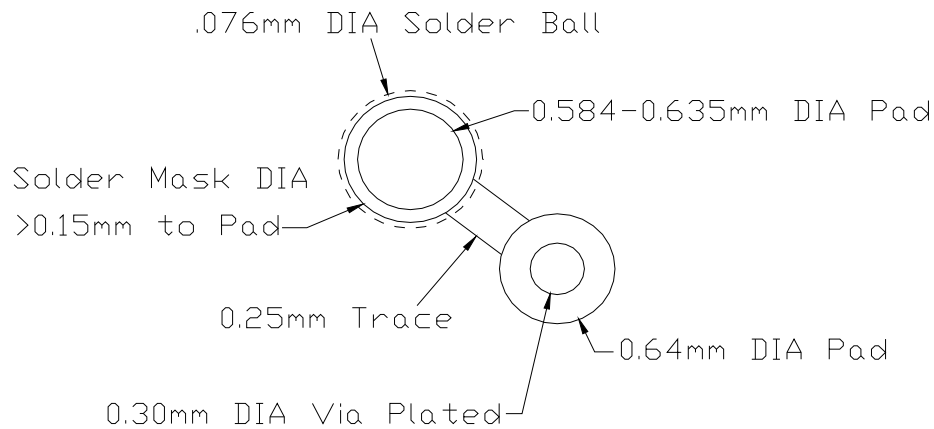
Connector Heights and Weights							
Description	Base Part Number	With Pick-up Cover			W/Out Pick-up Cover		
		Height (mm)	Weight (grams)	Weight/Ball (grams)	Height (mm)	Weight (grams)	Weight/Ball (grams)
Plug (81 Positions, 0mm)	55714	4.91	1.15	0.014	3.89	0.74	0.009
Receptacle (81 Positions, 4mm)	55715	5.04	1.28	0.015	3.89	0.87	0.011
Plug (100 Positions, 0mm)	84512	4.91	1.37	0.014	3.89	0.94	0.009
Receptacle (100 Positions, 4mm)	84513	5.04	1.51	0.015	3.89	1.08	0.011
Plug (200 Positions, 0mm)	84516	4.91	2.41	0.012	3.89	1.66	0.008
Plug (200 Positions, 6mm)	84530	10.91	4.67	0.023	9.89	3.92	0.019
Receptacle (200 Positions, 4mm)	84517	5.04	2.67	0.013	3.89	1.92	0.009
Receptacle (200 Positions, 6mm)	55724	7.04	3.54	0.018	5.89	2.79	0.015
Receptacle (200 Positions, 8mm)	84535	9.04	3.97	0.020	7.89	3.22	0.016
Plug (240 Positions, 0mm)	74213	4.91	2.82	0.012	3.89	1.90	0.008
Receptacle (240 Positions, 4mm)	74217	5.04	3.08	0.013	3.89	2.16	0.009
Receptacle (240 Positions, 6mm)	55755	7.04	4.13	0.017	5.89	3.21	0.013
Plug (300 Positions, 0mm)	84500	4.91	3.44	0.011	3.89	2.38	0.008
Plug (300 Positions, 6mm)	84578	10.91	6.77	0.022	9.89	5.71	0.019
Receptacle (300 Positions, 4mm)	84501	5.04	3.83	0.013	3.89	2.77	0.009
Receptacle (300 Positions, 5.5mm)	84502	6.54	4.94	0.016	5.39	3.88	0.013
Receptacle (300 Positions, 8mm)	84553	9.04	5.74	0.019	7.89	4.68	0.015
Plug (320 Positions, 0mm)	10123981	4.91	3.67	0.011	3.89	2.54	0.008
Receptacle (320 Positions, 4mm)	10123982	5.04	4.08	0.013	3.89	2.95	0.009
Plug (400 Positions, 0mm)	84740	4.91	4.41	0.011	3.89	3.15	0.008
Plug (400 Positions, 6mm)	84520	10.91	8.51	0.021	9.89	7.25	0.018
Receptacle (400 Positions, 4mm)	74221	5.04	4.91	0.012	3.89	3.65	0.009
Receptacle (400 Positions, 6mm)	74388	7.04	6.61	0.016	5.89	5.35	0.013
Receptacle (400 Positions, 8mm)	74390	9.04	7.33	0.018	7.89	6.07	0.015
Plug (528 Positions, 0mm)	10022671	4.91	5.42	0.010	3.89	4.02	0.008
Receptacle (528 Positions, 6mm)	10026846	7.04	8.38	0.016	5.89	6.82	0.013

NUMBER <b>GS-20-033</b>	CATEGORY <b>APPLICATION SPECIFICATION</b>	<b>Amphenol FCI</b>	
TITLE <b>MEG-Array® High Speed Mezzanine Connectors</b>		PAGE 7 of 23	REVISION J
		GUARDIAN (VERIFIED BY) Robert Brown	DATE 04/27/16
		APPROVED BY Robert Marshall	
		CLASSIFICATION : <b>UNRESTRICTED</b>	

### 5.3 PCB DESIGN

Proper PCB design affects connector reliability and performance. The following recommendations are intended to ensure reliable electrical connections, while maximizing manufacturing yields and aiding in possible rework applications. Refer to customer drawings for overall pad layout. See Figure 2 for the detail of a single pad and via design.

- PCB pad diameter: 0.584 – 0.635 mm (.023 – .025 in.).
- Copper defined solder pads
- Pad materials: Copper with OSP or HASL
- Solder mask opening diameter must be greater than the PCB pad diameter and be registered properly so that 0.15 mm (.006 in.) minimum clearance is met all around the pad.
- PCB vias should not be included in the ball grid array solder pads (See Figure 2). The connector side of the via shall be fully covered with solder mask. Solder mask may be truncated along interconnect trace.
- Keep out area around the part perimeter, 5.10 mm (.201in.), is generally recommended for clearance of rework equipment. Consult with equipment manufacturers for recommended clearance specifics.

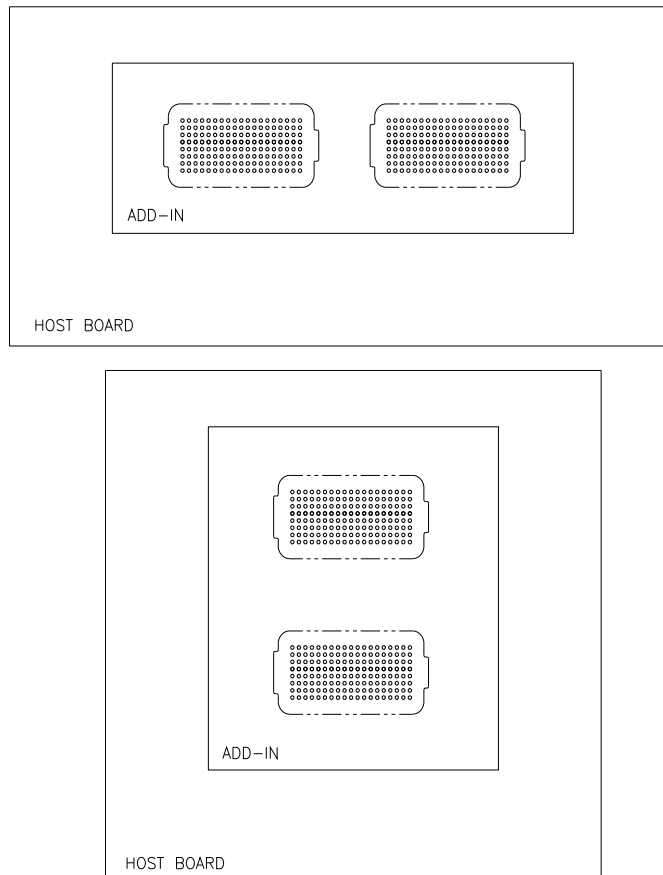


**Figure 2: Pad Layout Example**

NUMBER <b>GS-20-033</b>	CATEGORY <b>APPLICATION SPECIFICATION</b>	<b>Amphenol FCI</b>	
TITLE  <b>MEG-Array® High Speed Mezzanine Connectors</b>		PAGE 8 of 23	REVISION J
		GUARDIAN (VERIFIED BY) Robert Brown	DATE 04/27/16
		APPROVED BY Robert Marshall	
		CLASSIFICATION : <b>UNRESTRICTED</b>	

### 5.3.1 Multiple Connector Applications

When designing for multiple mating applications, the ball grid array patterns shall be within +/-0.05 true position relative to each other (Connector to connector final location tolerance +/-0.1mm.). It is recommended that multiple connectors be parallel to each other or in the same orientation as shown in Figure 3. Orientation as shown in Figure 4 is not recommended. Proper connector orientation will aid compliance with the recommended connector mating and un-mating procedures that are described in section 11.2.



**Figure 3: Recommended Orientation for Multiple Pairs**



NUMBER	CATEGORY	<b>Amphenol FCI</b>	
<b>GS-20-033</b>	<b>APPLICATION SPECIFICATION</b>		
<b>MEG-Array® High Speed Mezzanine Connectors</b>		PAGE	REVISION
		9 of 23	J
		GUARDIAN (VERIFIED BY)	DATE
		Robert Brown	04/27/16
		APPROVED BY	Robert Marshall
		CLASSIFICATION :	<b>UNRESTRICTED</b>

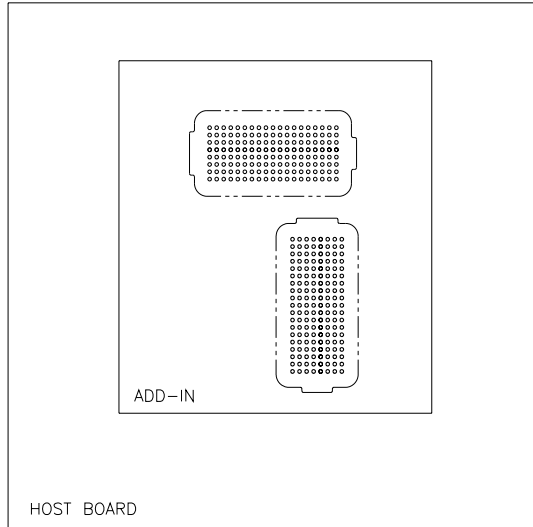


Figure 4: NOT Recommended unless eventual mating with another PCB is done vertically (without zippering)

## 6.0 APPLICATION TOOLING

Connector placement and assembly to PCB does not require any special tooling. However, depending upon a user's process, application specific tooling may be required.

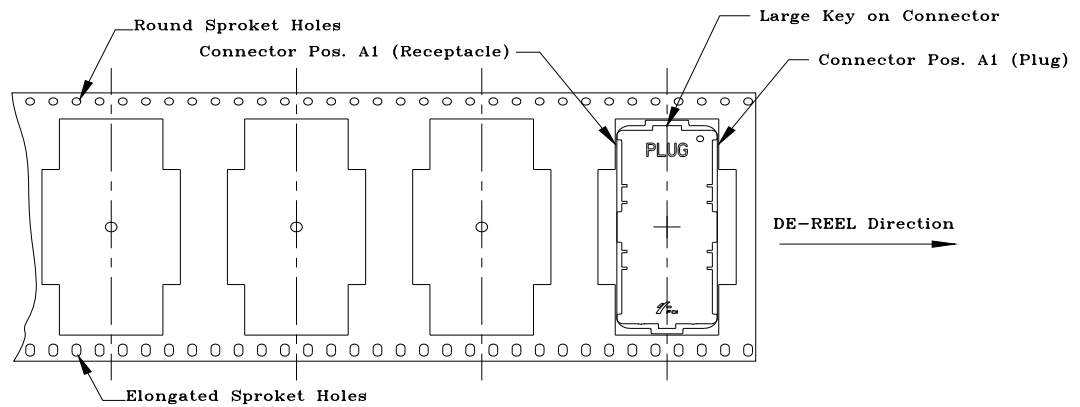
## 7.0 APPLICATION PROCEDURE

IPC-A-610 defines specific criteria for Acceptable Electronic Assembly. Section 8.2.12 defines Surface Mount Area Array processing. Final Assembly must meet the acceptable industry criteria for SMT processing.

### 7.1 CONNECTOR PLACEMENT

- Connectors are packaged and shipped in anti-static plastic tape pockets, as shown in Figure 5. For additional information on connectors and tape, see Table 4. Reel diameter is 330mm.
- The pick-up cap, attached to the housing can be used for vacuum pick-up and placement with automated equipment. Placement by hand or with mechanical grippers that grip the outside of the connector housing will also work.
- Connector shall be placed so that solder balls are placed on top of or lightly pushed into the solder paste. Connector shall not be dragged into place, since this will track solder paste that may cause bridging and result in an electrical short.
- Connector placement utilizes typical BGA placement procedures.

NUMBER <b>GS-20-033</b>	CATEGORY <b>APPLICATION SPECIFICATION</b>	<b>Amphenol FCI</b>	
<b>MEG-Array® High Speed Mezzanine Connectors</b>		PAGE 10 of 23	REVISION J
		GUARDIAN (VERIFIED BY) Robert Brown	DATE 04/27/16
		APPROVED BY Robert Marshall	
		CLASSIFICATION : <b>UNRESTRICTED</b>	



TAPE & REEL PACKAGING  
PER EIA-481-B

Figure 5: Tape-and-Reel Configuration (Plug Shown)

NUMBER <b>GS-20-033</b>	CATEGORY <b>APPLICATION SPECIFICATION</b>	<b>Amphenol FCI</b>	
TITLE <b>MEG-Array® High Speed Mezzanine Connectors</b>		PAGE 11 of 23	REVISION J
		GUARDIAN (VERIFIED BY) Robert Brown	DATE 04/27/16
		APPROVED BY Robert Marshall	
		CLASSIFICATION : <b>UNRESTRICTED</b>	

Tape and Reel Dimensions & Reel Quantities						
Description	Base Part Number	Carrier Tape Width	Tape Pocket Pitch	Tape Pocket Depth	Quantity Per Reel	
Plug (81 Positions, 0mm)	55714	32mm	28mm	5.69	250	
Receptacle (81 Positions, 4mm)	55715	32mm	28mm	5.79	250	
Plug (100 Positions, 0mm)	84512	32mm	28mm	5.65	250	
Receptacle (100 Positions, 4mm)	84513	32mm	28mm	5.80	250	
Plug (200 Positions, 0mm)	84516	44mm	32mm	5.42	250	
Plug (200 Positions, 6mm)	84530	44mm	28mm	11.50	150	
Receptacle (200 Positions, 4mm)	84517	44mm	28mm	5.75	250	
Receptacle (200 Positions, 6mm)	55724	44mm	28mm	6.90	200	
Receptacle (200 Positions, 8mm)	84535	44mm	32mm	9.55	150	
Plug (240 Positions, 0mm)	74213	56mm	24mm	5.65	300	
Receptacle (240 Positions, 4mm)	74217	56mm	24mm	6.13	300	
Receptacle (240 Positions, 6mm)	55755	56mm	28mm	6.95	250	
Plug (300 Positions, 0mm)	84500	56mm	32mm	5.65	250	
Plug (300 Positions, 6mm)	84578	72mm	32mm	10.46	150	
Receptacle (300 Positions, 4mm)	84501	56mm	28mm	5.75	250	
Receptacle (300 Positions, 5.5mm)	84502	56mm	28mm	7.18	200	
Receptacle (300 Positions, 8mm)	84553	56mm	28mm	9.75	150	
Plug (320 Position, 0mm)	10123981	56mm	32mm	5.65	250	
Receptacle (320 Positions, 4mm)	10123982	56mm	28mm	5.75	250	
Plug (400 Positions, 0mm)	84740	72mm	28mm	5.91	250	
Plug (400 Positions, 6mm)	84520	72mm	32mm	12.13	150	
Receptacle (400 Positions, 4mm)	74221	72mm	28mm	6.05	250	
Receptacle (400 Positions, 6mm)	74388	72mm	28mm	7.82	250	
Receptacle (400 Positions, 8mm)	74390	72mm	28mm	9.90	200	
Plug (528 Positions, 0mm)	10022671	88mm	28mm	5.91	250	
Receptacle (528 Positions, 6mm)	10026846	88mm	28mm	7.82	250	

Table 4: Tape and Reel Information

NUMBER <b>GS-20-033</b>	CATEGORY <b>APPLICATION SPECIFICATION</b>	<b>Amphenol FCI</b>	
TITLE <b>MEG-Array® High Speed Mezzanine Connectors</b>		PAGE 12 of 23	REVISION J
		GUARDIAN (VERIFIED BY) Robert Brown	DATE 04/27/16
		APPROVED BY Robert Marshall	
CLASSIFICATION : <b>UNRESTRICTED</b>			

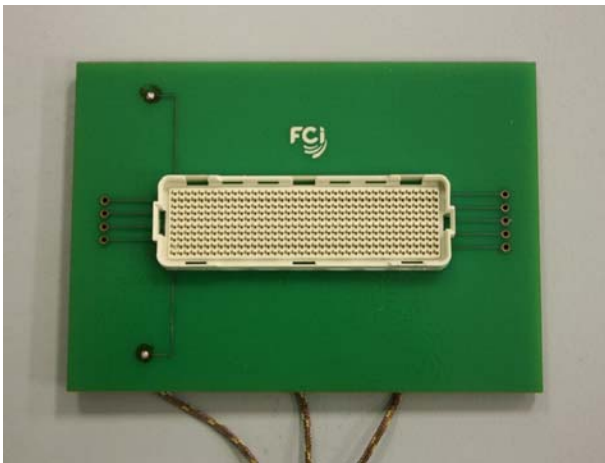
## 7.2 SOLDER PASTE & DEPOSITION

- For ease of use, a no-clean solder paste is recommended.
- Eutectic SnPb solder paste is required for standard product.
- 95.5Sn /4Ag /0.5Cu solder paste is recommended for Lead Free RoHS product.
- Recommended stencil thickness is 0.127 – 0.152 mm (.005 - .006 inch).
- Recommend a round aperture diameter of 0.66 mm (for 0.127 mm thick stencil) or 0.61 mm (for 0.152mm thick stencil). These combinations give paste volume of approximately 0.044 mm<sup>3</sup> (2.68E-6 inch<sup>3</sup>).

## 7.3 SOLDER REFLOW

Thermal profiles are specified by the requirements of the solder paste being used. Solder paste companies use different flux chemistries and require different thermal profiles specific to their product. These requirements must be followed for best results. Figure 6 is a recommended general guideline. All products designed for reflow processing will withstand these ranges.

**The most critical aspect of the profile is the location of the Thermocouples.** As a minimum; thermocouples need to be placed in the middle and corner of the BGA field. Failure to do this can result in open and or incomplete solder joints. This is a common mistake that is made when processing the MegArray™ for the first time. Verifying the temperature in the center of the MegArray™ connector is the best way to ensure trouble free processing.



NUMBER <b>GS-20-033</b>	CATEGORY <b>APPLICATION SPECIFICATION</b>	<b>Amphenol FCI</b>	
TITLE <b>MEG-Array® High Speed Mezzanine Connectors</b>		PAGE 13 of 23	REVISION J
		GUARDIAN (VERIFIED BY) Robert Brown	DATE 04/27/16
		APPROVED BY Robert Marshall	
CLASSIFICATION : <b>UNRESTRICTED</b>			

Profile Feature	Sn-Pb Eutectic Assembly	Pb-Free Assembly
Average ramp-up rate (T <sub>smax</sub> to T <sub>p</sub> )	3° C/second max.	3° C/second max.
<b>Preheat</b>		
- Temperature Min (T <sub>smin</sub> )	100 °C	150 °C
- Temperature Max (T <sub>smax</sub> )	150 °C	200 °C
- Time (T <sub>smin</sub> to T <sub>smax</sub> ) (t <sub>s</sub> )	60-120 seconds	60-180 seconds
Time maintained above:		
- Temperature (T <sub>L</sub> )	183 °C	217 °C
- Time (t <sub>L</sub> )	60-150 seconds	60-150 seconds
Peak Temperature (T <sub>p</sub> )	See Table 4.1	See Table 4.2
Time within 5°C of actual Peak Temperature (t <sub>p</sub> ) <sup>2</sup>	10-30 seconds	20-40 seconds
Ramp-down Rate	6 °C/second max.	6 °C/second max.
Time 25°C to Peak Temperature	6 minutes max.	8 minutes max.

**Note 1:** All temperatures refer to topside of the package, measured on the package body surface.

**Note 2:** Time within 5 °C of actual peak temperature (t<sub>p</sub>) specified for the reflow profiles is a “supplier” minimum and “user” maximum.

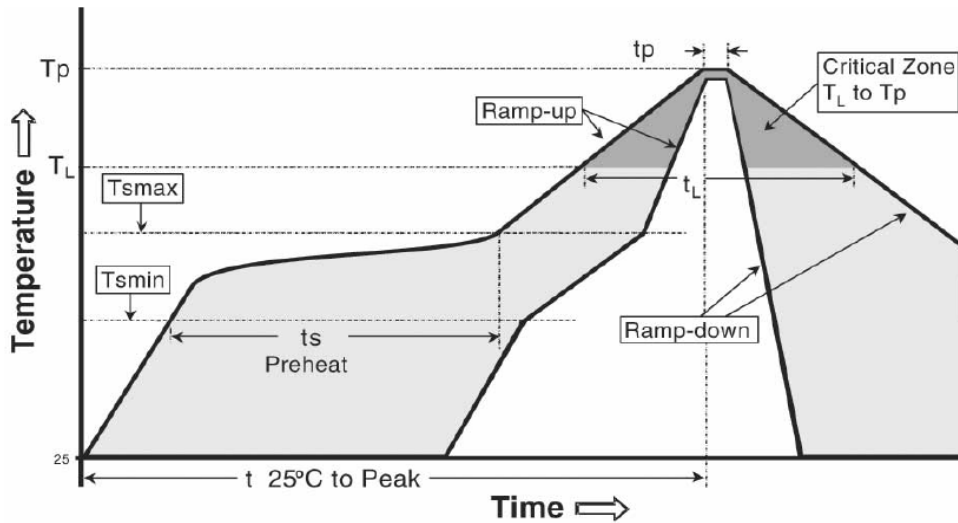


Figure 6:

NUMBER	CATEGORY	<b>Amphenol FCI</b>	
<b>GS-20-033</b>	<b>APPLICATION SPECIFICATION</b>		
<b>MEG-Array® High Speed Mezzanine Connectors</b>		PAGE	REVISION
		14 of 23	J
		GUARDIAN (VERIFIED BY)	DATE
		Robert Brown	04/27/16
		APPROVED BY	Robert Marshall
		CLASSIFICATION :	<b>UNRESTRICTED</b>

#### 7.4 DOUBLE-SIDED REFLOW

All MEG-Array® connector sizes are suitable for double-sided reflow (DSR). See Table 3 for individual connector weights. In all cases, users should verify connector applicability for inverted reflow through process verification testing.

#### 7.5 CLEANING

If desired, following reflow the connector and board assembly can be washed with an appropriate cleaner to remove any residue or contaminants. Vacuum pickup caps should be removed prior to cleaning to reduce the chance of trapping cleaning solutions.

#### 8.0 POST APPLICATION INSPECTION

- Visually inspect the connector for damage and cleanliness.
- Solder joints can be inspected with X-ray techniques that are typical to BGA components.
- Electrical testing can be performed with a customer-designed system. Caution must be taken to avoid damage to the connector terminals during electrical testing.

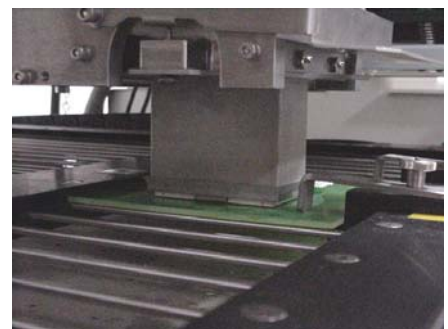
#### 9.0 REWORK / REPAIR TOOLING

Naturally, prevention of defects is preferred to rework. Rework can be avoided through good process control, such as proper equipment setup and maintenance, in-process inspection, SPC use, and adequate operator training. The following rework procedure was developed using an SRT Summit 1100 rework station and a Pinnacle Scavenger to remove residual solder once the connector is removed. Other rework equipment would follow a similar procedure and would only need to be modified according to the equipment manufacturer's recommendations.

**10.0 REWORK PROCEDURE:** In the event that rework is required, the following guidelines are general for eutectic solder applications. Adjust the temperatures accordingly for lead free applications. Consult and follow all equipment manufactures recommendations.

##### Step 1: Develop the Thermal Process

To develop the thermal process, a thermocouple should be attached next to the outer row of solder balls and under the connector. Using the reflow nozzle as shown in the photograph.



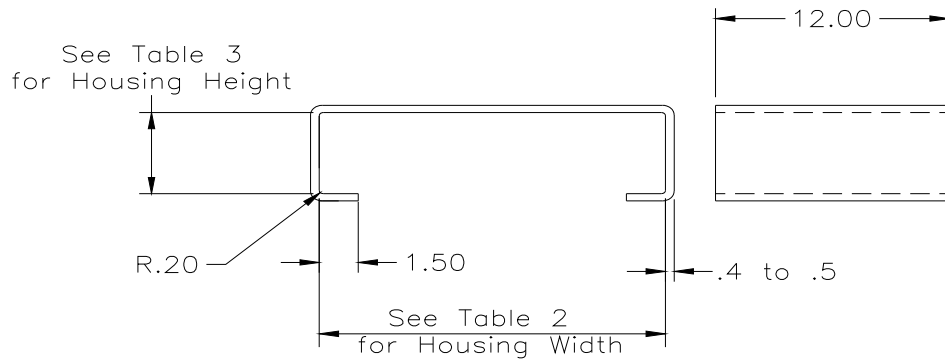
Reflow Nozzle

NUMBER <b>GS-20-033</b>	CATEGORY <b>APPLICATION SPECIFICATION</b>	<b>Amphenol FCI</b>	
TITLE <b>MEG-Array® High Speed Mezzanine Connectors</b>		PAGE 15 of 23	REVISION J
		GUARDIAN (VERIFIED BY) Robert Brown	DATE 04/27/16
		APPROVED BY Robert Marshall	
		CLASSIFICATION : <b>UNRESTRICTED</b>	

**REWORK PROCEDURE GUIDELINES (CONT.)**

**Step 2: Remove the Connector**

First, slide a metal rework clip, similar to the one shown in Figure 7, in place. Then use the thermal profile developed in step 1 to reflow the solder. A few seconds after the solder has reflowed, a vacuum pickup, which has a rubber tip, automatically moves to the correct location and removes the connector. The connector that is removed cannot be reused and should therefore be discarded after the solder has solidified. Since the majority of the solder is left on the printed circuit board, the residual solder must be cleaned prior to the reinstallation of a new connector.



**Figure 7: Rework Clip**  
Dimensions are in MM

NUMBER	CATEGORY	<b>Amphenol FCI</b>	
<b>GS-20-033</b>	<b>APPLICATION SPECIFICATION</b>		
<b>MEG-Array® High Speed Mezzanine Connectors</b>		PAGE	REVISION
		16 of 23	J
		GUARDIAN (VERIFIED BY)	DATE
		Robert Brown	04/27/16
		APPROVED BY	Robert Marshall
		CLASSIFICATION :	<b>UNRESTRICTED</b>

### Step 3: Board Cleaning and Preparation

Flux should be applied over the pads and residual solder. This will help in reactivating the solder and cleaning the pads. A solder scavenging system, which uses a hot gas non-contact nozzle to vacuum remove the solder, is recommended. The nozzle should be programmed to a scavenging height of approximately 0.2 mm (0.008") with a pre-programmed path that follows the MEG-Array® PCB pad layout and limits excess heating to other areas of the board. If a solder scavenging system is not available or is impractical, then a skilled operator can use other hand desoldering methods, though extra care must be taken to limit localized heating which could damage the PCB. After removal of the old residual solder, use cleaning chemistries that are compatible with flux chemistries to clean up any excess flux or debris.

### Step 4: Connector Replacement

After cleaning, it is recommended to repaste the pads using an 0.127 – 0.152 mm (.005-.006 inch) thick stencil to apply approximately 0.044 mm<sup>3</sup> (2.68E-6 inch<sup>3</sup>) of solder paste. To assist in aligning the connector to the PCB pads, place a mark at the center of the long side of the housing. If the PCB does not have a silk-screened mark at the center pad location; hand mark the board, so that the center of the connector and the center of the pad layout align. Apply the metal clip used to remove the connector in step 2, to the new replacement connector. Then, with the metal clip in place, load and secure the connector into the vacuum pick-up system. The SRT Summit 1100 uses a split prism vision system to allow for the operator to simultaneously view the bottom of the connector and the top of the PCB. Align the PCB and connector center marks and place the connector. Once the connector is placed onto the board, reflow the solder using the established auto profile parameters. Remove the metal clip and reinspect and retest the connector as applicable.

## 11.0 RECOMMENDED PICK-UP CAP REMOVAL:

### 11.1 RECEPTACLE PICK-UP CAP INSTRUCTIONS:



NUMBER	CATEGORY	<b>Amphenol FCI</b>	
<b>GS-20-033</b>	<b>APPLICATION SPECIFICATION</b>		
<b>MEG-Array® High Speed Mezzanine Connectors</b>		PAGE	REVISION
		17 of 23	J
		GUARDIAN (VERIFIED BY)	DATE
		Robert Brown	04/27/16
APPROVED BY		Robert Marshall	
CLASSIFICATION :		<b>UNRESTRICTED</b>	

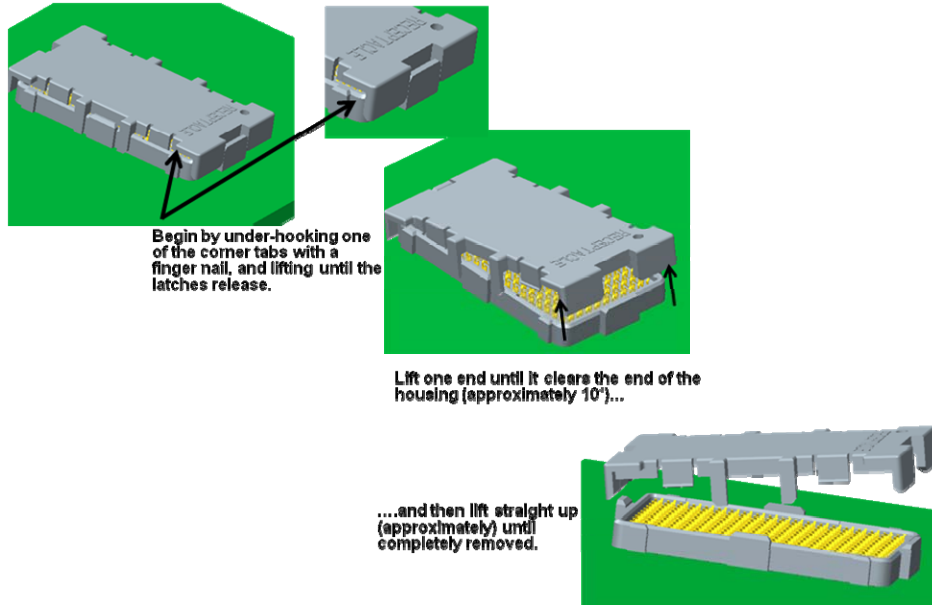


Figure 8

**11.2 PLUG PICK-UP CAP INSTRUCTIONS:**

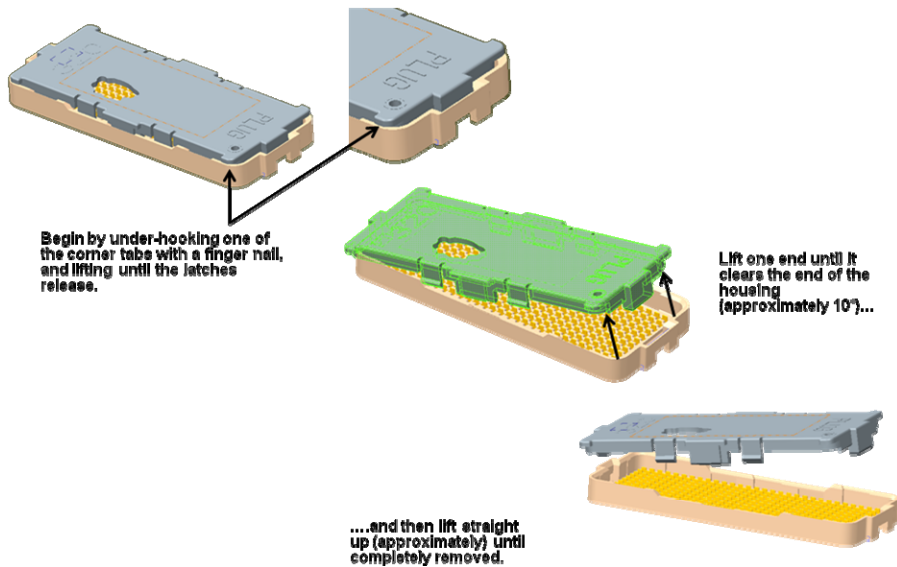


Figure 9

NUMBER	CATEGORY	<b>Amphenol FCI</b>	
<b>GS-20-033</b>	<b>APPLICATION SPECIFICATION</b>		
<b>MEG-Array® High Speed Mezzanine Connectors</b>		PAGE	REVISION
		18 of 23	J
		GUARDIAN (VERIFIED BY)	DATE
		Robert Brown	04/27/16
		APPROVED BY	Robert Marshall
		CLASSIFICATION :	<b>UNRESTRICTED</b>

**12.0 ADDITIONAL INFORMATION:**

**12.1 STANDOFFS:**

Application of MEG-Array® Connectors does not require the use of mechanical standoffs, however, using them in blind-mate applications is recommended. Benefits from using standoffs are rough alignment prior to mating, robust mechanical attachment of stacked boards, and isolation of connectors from mechanical stresses.

The stack height information provided in Table 1 is based on a specific PCB construction, reflow process, stencil size, & paste type. Solder sphere collapse will vary with changes to these parameters. Therefore, it is always best practice for the user to verify minimum and maximum stack heights post reflow (via cross-sections) using the exact PCB, reflow parameters, stencil size, and paste that will be used for a specific board assembly. This study will determine the minimum standoff shoulder height for the application. It is recommended that the connectors are not over mated such that they are in a compressed condition. See Figure 8.

NUMBER	CATEGORY	<b>Amphenol FCI</b>	
<b>GS-20-033</b>	<b>APPLICATION SPECIFICATION</b>		
<b>MEG-Array® High Speed Mezzanine Connectors</b>		PAGE	REVISION
		19 of 23	J
		GUARDIAN (VERIFIED BY)	DATE
		Robert Brown	04/27/16
APPROVED BY		Robert Marshall	
CLASSIFICATION :		<b>UNRESTRICTED</b>	

Stand-off Height (to shoulder) to be Larger than maximum measured PCB to PCB collapse height of chosen MEG-Array® Connector System

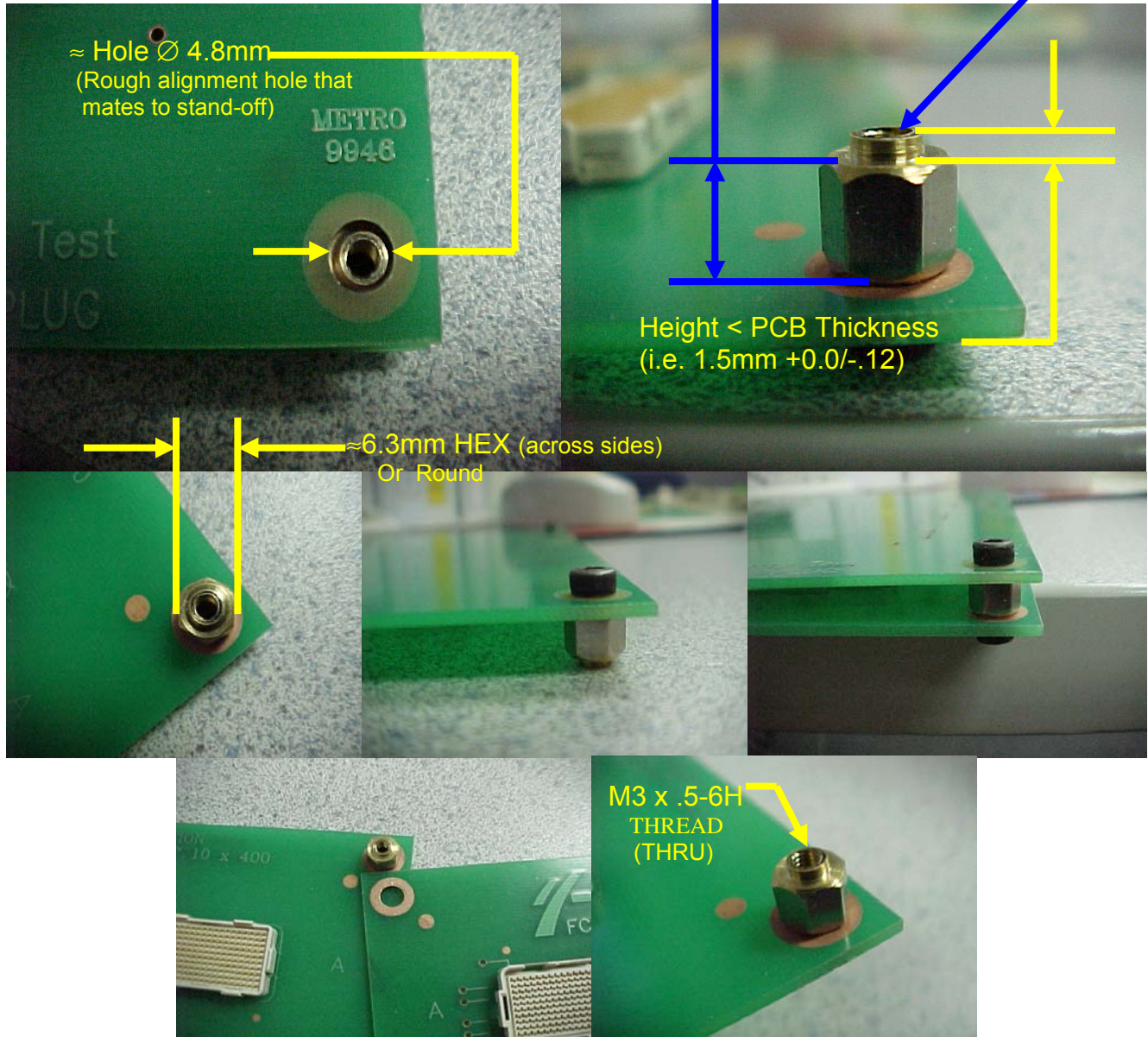


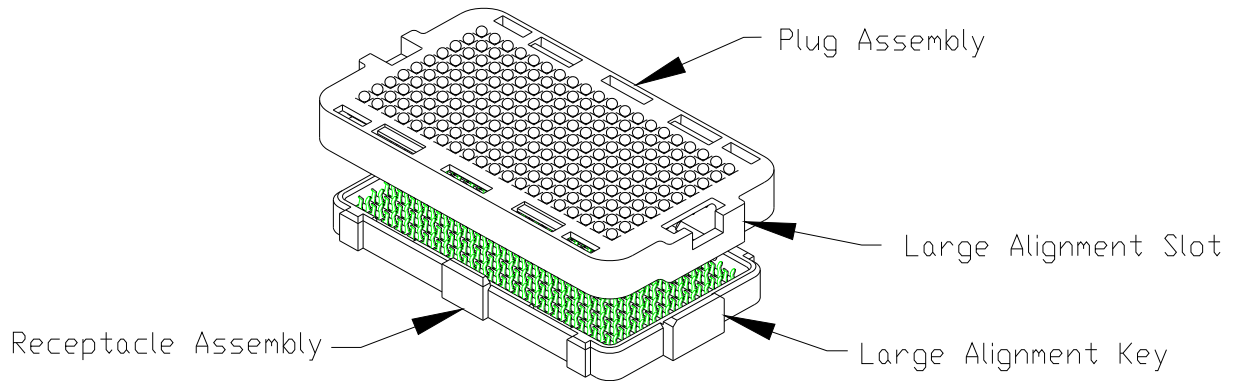
Figure 10: Stand-off Detail

NUMBER	CATEGORY	<b>Amphenol FCI</b>	
<b>GS-20-033</b>	<b>APPLICATION SPECIFICATION</b>		
<b>MEG-Array® High Speed Mezzanine Connectors</b>		PAGE	REVISION
		20 of 23	J
		GUARDIAN (VERIFIED BY)	DATE
		Robert Brown	04/27/16
		APPROVED BY	Robert Marshall
		CLASSIFICATION :	<b>UNRESTRICTED</b>

**12.2 RECOMMENDED MATING / UNMATING METHODS:**

The MEG-Array® connectors can be mated straight (Figure 9), however, when mating a large pin count connector, like the 400 position MEG-Array® connector, less effort is required if you roll-mate the two-connector halves together as shown in Figure 10.

A part can be started from either end. Locate and match the connector's A1 position marking ("Δ") for both the Plug and Receptacle. (Markings are located on the long side of the housing.) Rough alignment is required prior to connector mating as misalignment of >0.8mm could damage connector contacts. Rough alignment of the connector is achieved through matching the Small alignment slot of the plug housing with the Small alignment key of the receptacle housing and the Large alignment slot with the Large alignment key. Both connector housings have generous lead-in around the perimeter and will allow the user to blind mate assemble the connectors. Align the two connectors by feel and when the receptacle keys start into the plug slots, push down on one end and then move force forward until the receptacle cover flange bottoms on the front face of the plug.



**Figure 11: Recommended Mating**

NUMBER	CATEGORY	<b>Amphenol FCI</b>	
<b>GS-20-033</b>	<b>APPLICATION SPECIFICATION</b>		
<b>MEG-Array® High Speed Mezzanine Connectors</b>		PAGE	REVISION
		21 of 23	J
		GUARDIAN (VERIFIED BY)	DATE
		Robert Brown	04/27/16
		APPROVED BY	Robert Marshall
		CLASSIFICATION :	<b>UNRESTRICTED</b>

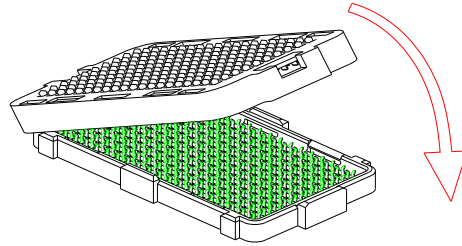


Figure 12: Recommended Mating

Like mating, a connector pair can be unmated by pulling them straight apart (See Figure 9). However, it requires less effort to un-mate if the force is originated from one of the slot/key ends of the assembly. (Reverse procedure from mating, see Figure 11.) Mating or un-mating of the connector by rolling in a direction perpendicular to alignment slots/keys may cause damage to the terminal contacts and is not recommended, see Figure 12.

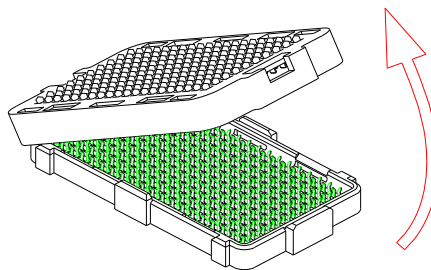


Figure 13: Recommended Un-Mating

NUMBER	CATEGORY	<b>Amphenol FCI</b>	
<b>GS-20-033</b>	<b>APPLICATION SPECIFICATION</b>		
TITLE  <b>MEG-Array® High Speed Mezzanine Connectors</b>		PAGE	REVISION
		22 of 23	J
		GUARDIAN (VERIFIED BY)	DATE
		Robert Brown	04/27/16
		APPROVED BY	Robert Marshall
		CLASSIFICATION :	<b>UNRESTRICTED</b>

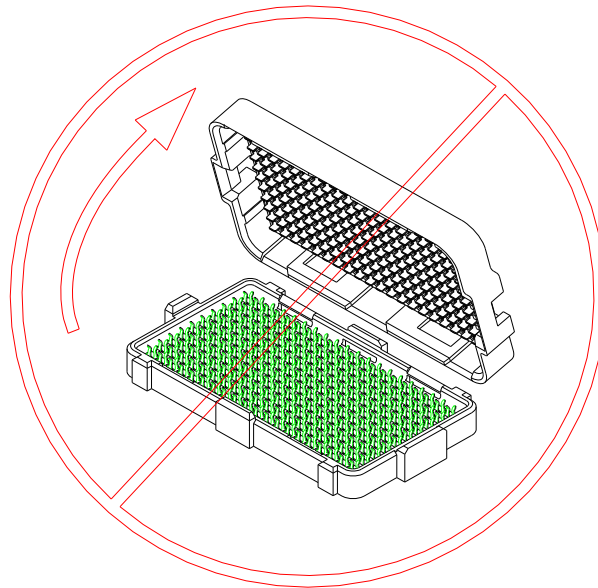


Figure 14: Not Recommended

NUMBER	CATEGORY	<b>Amphenol FCI</b>	
<b>GS-20-033</b>	<b>APPLICATION SPECIFICATION</b>		
<b>MEG-Array® High Speed Mezzanine Connectors</b>		PAGE	REVISION
		23 of 23	J
		GUARDIAN (VERIFIED BY)	DATE
		Robert Brown	04/27/16
		APPROVED BY	Robert Marshall
		CLASSIFICATION :	<b>UNRESTRICTED</b>

### 12.3 GUIDELINES FOR FLEXIBLE CIRCUIT FABRICATION AND ASSEMBLY

The MEG-Array® connectors can be assembled to Flexible Circuits to provide high density cable solutions. When using the MEG-Array® connector with Flex Circuits it is required that IPC-6012 and IPC-6013 are followed to ensure quality and reliable performance. Class 1 shall apply to standard product (-0XX / -0XXLF / -1XX / -1XXLF) and Class 3 shall apply to Telcordia product (-2XX / -2XXLF).

### 13.0 REVISION RECORD

REV	PAGE	DESCRIPTION	EC #	DATE
A	All	Initial Release of Application Specification	V03-0303	3/12/2003
B	All	Add 528 Position Stack Height	V03-1244	11/19/03
C	All	Added information for Lead Free BGA / RoHS processing	V04-0884	10/25/04
D	13	Correction with reflow temp	V04-1142	11/22/04
E	All	Change logo	V06-0539	06/05/06
F	9, 16, 21	Add 11.3 Flex circuit standards and 7.0 regarding applicable Industry specification for SMT processing, 11.1 Over mate details	V10-0075	02/12/10
G	9	Revise FIGURE 4 caption	V-008843	12/15/11
H	Several	Add 320 position size	V-15819	9/11/2013
J	ALL	Revised form with new logo, Revised solder reflow recommendations Add recommended pick-up cap removal instructions.	V-23970	04/27/16