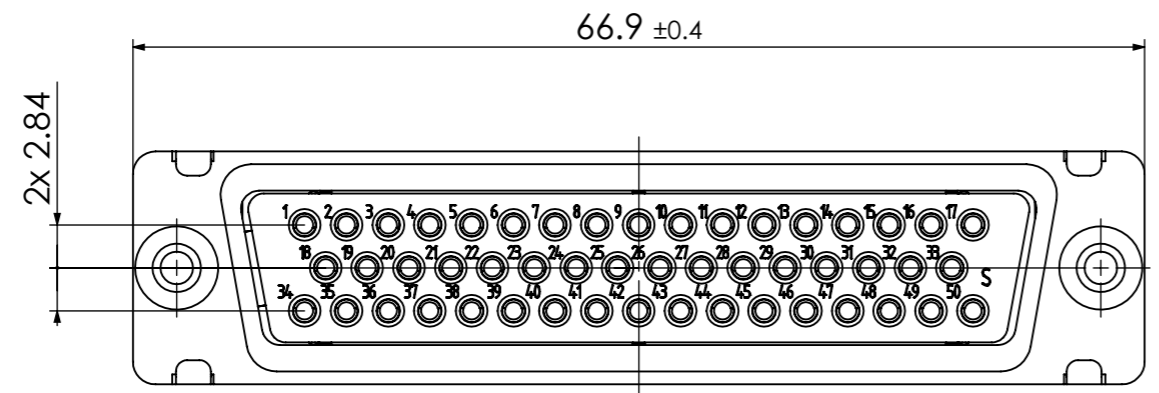
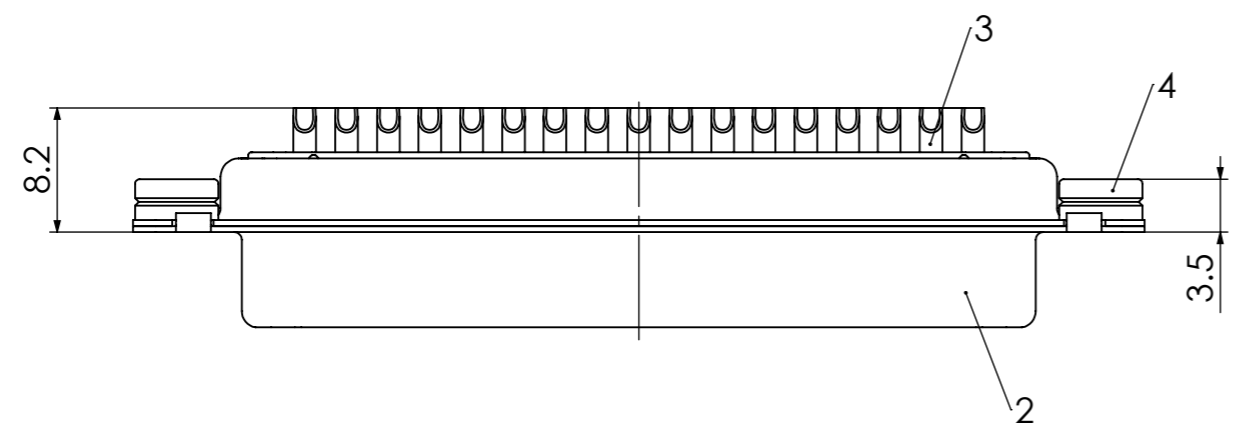
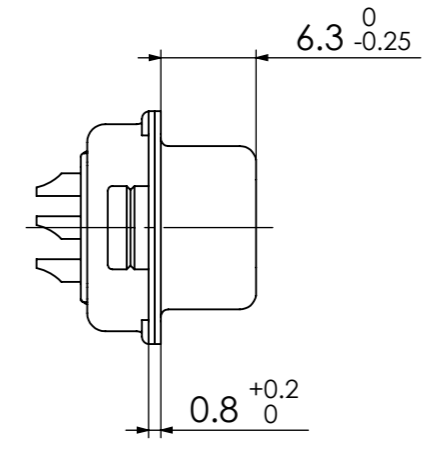
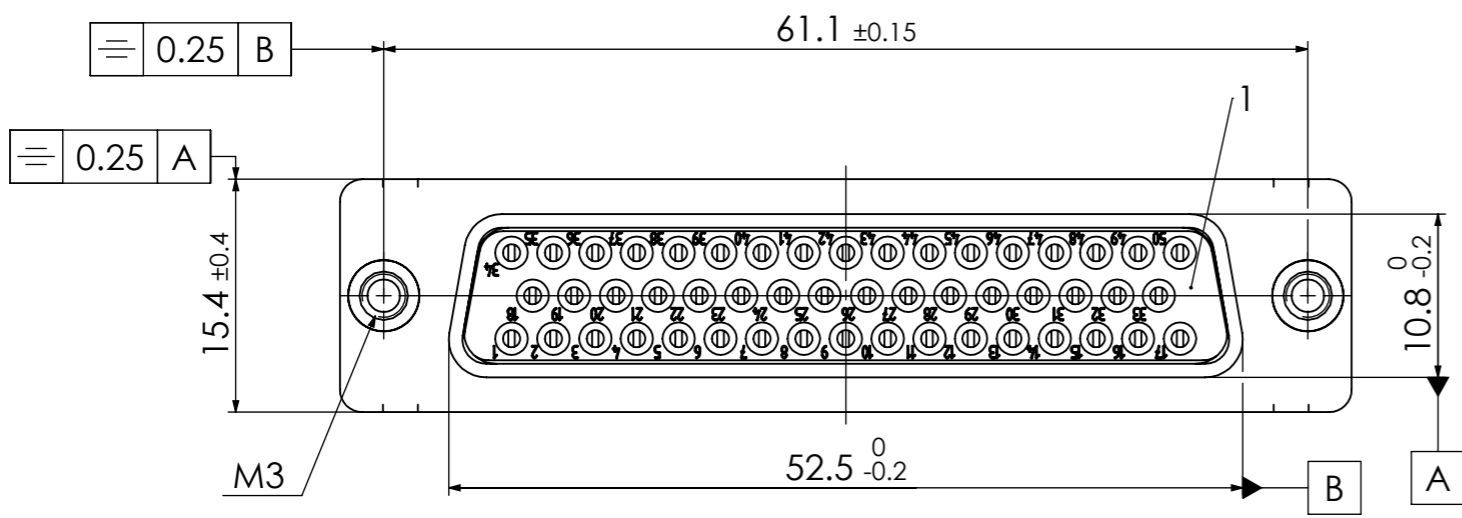


COMMENT:
 ALL RIGHTS ARE RESERVED BY US FOR THIS DRAWING. WITHOUT OUR PRIOR CONSENT,
 IT MAY NEITHER BE DUPLICATED NOR MADE AVAILABLE TO A THIRD PARTY.
 AND IT ALSO MAY NOT BE IMPROPERLY USED BY THE RECEIVER, OR A THIRD PARTY.



RoHS compliant

Use for performance classes 1, 2 or 3
 (contact cycle for G1/G2/G3 = 500/200/50)

No.	St.	Part	Type Description/Material	Surface plating/Colour/Class
4	2	Clinch nut	FZ M3 / Steel	tin plated
3	50	Signal contact	S0 / Brass	G1/G2/G3 / AWG20
2	1	Shell	Steel	tin plated
1	1	Insulator	PBT (-55°C - +125°C)	white

				Measurement without tolerance occ. to ISO 2768-m SCALE 2:1	TITLE D-Sub Miniature Connector	
		DRAWN mpostulka 26-03-2015				DWG.NO. FZ50S0Gy
		CHECKED MTeubel 27-03-2015				
						REV. 1
1				ORIGINAL: DIN A3-DRAWING AS A FILE	REPLACEMENT FOR:	PAGES 1