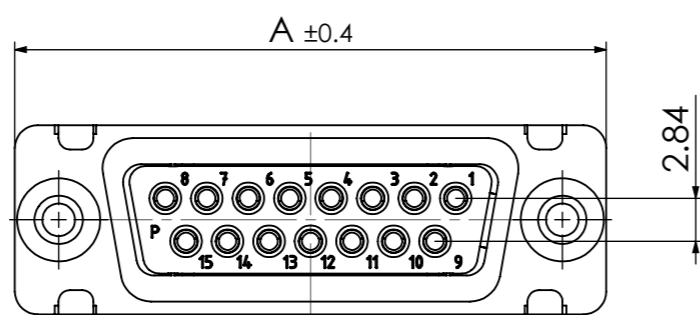
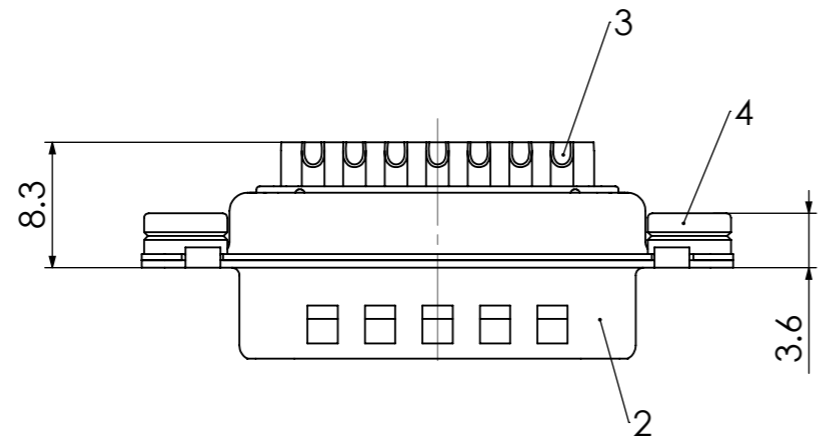
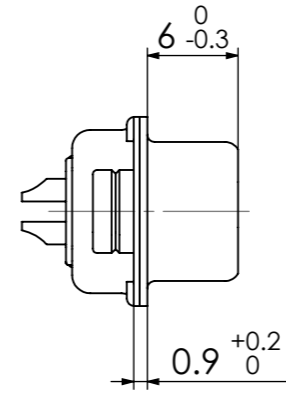
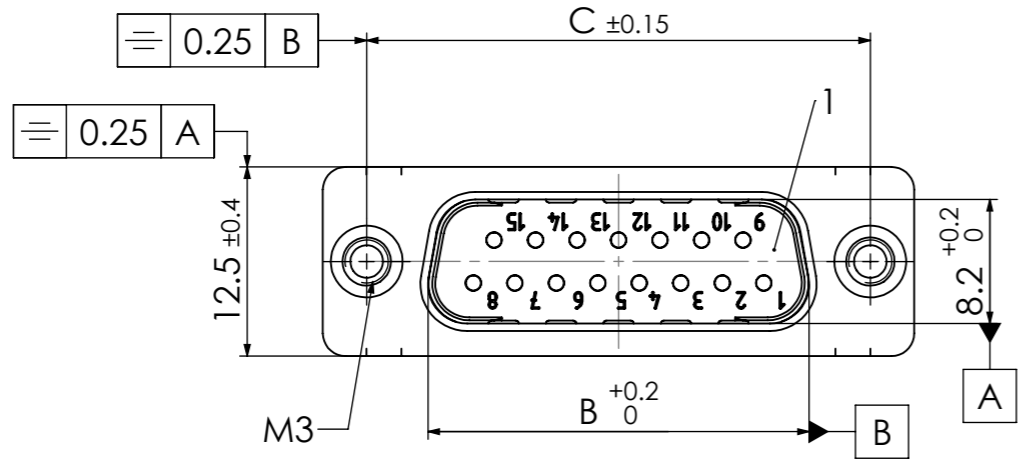


COMMENT: ALL RIGHTS ARE RESERVED BY US FOR THIS DRAWING. WITHOUT OUR PRIOR CONSENT, IT MAY NEITHER BE DUPLICATED NOR MADE AVAILABLE TO A THIRD PARTY. AND IT ALSO MAY NOT BE IMPROPERLY USED BY THE RECEIVER, OR A THIRD PARTY.



FZxx*1)P0Gy*2)
e.g. FZ09P0G1

*1) xx No. of contacts 09, 15, 25 or 37
*2) y for performance classes 1, 2 or 3
(contact cycle for G1/G2/G3 = 500/200/50)

xx	A [mm]	B [mm]	C [mm]
09	30.8	16.9	25
15	39.1	25.2	33.3
25	53	38.9	47.04
37	69.3	55.3	63.5

RoHS compliant

No.	St.	Part	Type Description/Material	Surface plating/Colour/Class
4	2	Clinch nut	FZ M3 / Steel	tin plated
3	xx	Signal contact	P0 / Brass	AWG20 / G1/G2/G3
2	1	Shell	Steel	tin plated
1	1	Insulator	PBT (-55°C - +125°C)	white

		Measurement without tolerance occ. to ISO 2768-m		SCALE	TITLE
				2:1	D-Sub Miniature Connector
		NAME / DATE			
		DRAWN Denzinger 12-08-2004			
		CHECKED rditel 12-08-2004			
				DWG.NO.	REV.
				FZxxP0Gy	1
1	REV.	DATE	CH.-NO.	ORIGINAL: DIN A3-DRAWING AS A FILE	REPLACEMENT FOR:
					PAGES 1