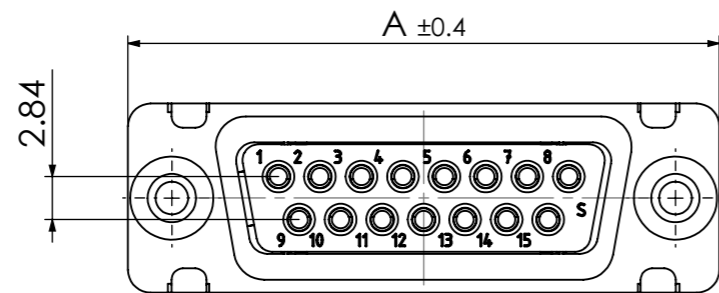
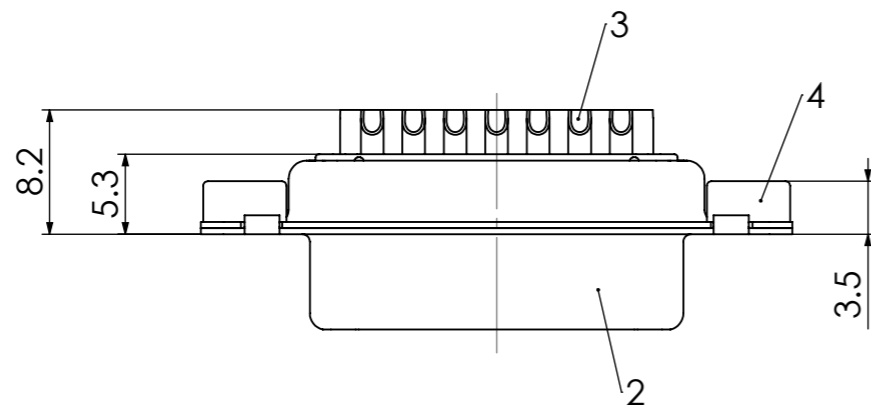
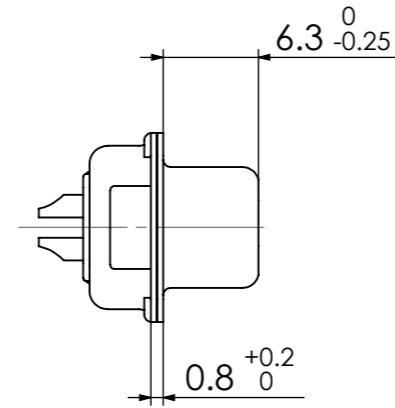
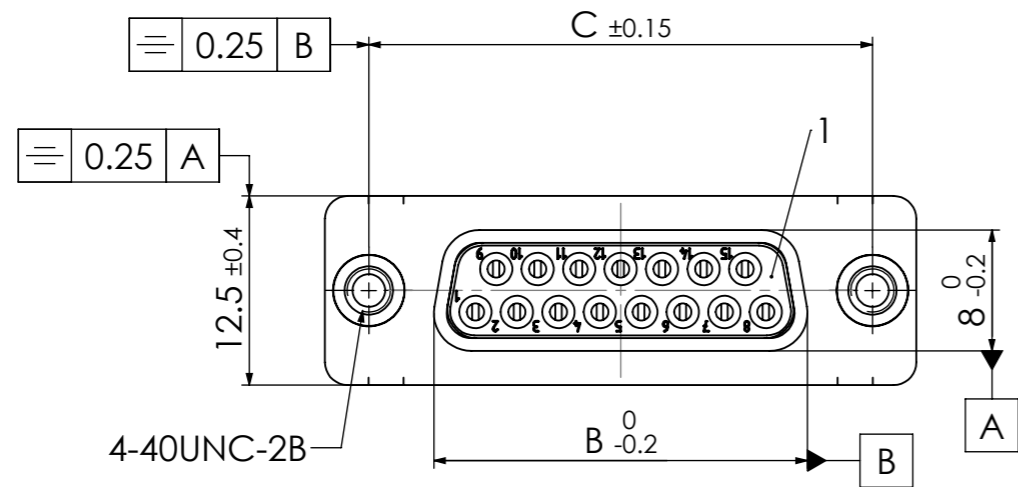


COMMENT:  
ALL RIGHTS ARE RESERVED BY US FOR THIS DRAWING. WITHOUT OUR PRIOR CONSENT,  
IT MAY NEITHER BE DUPLICATED NOR MADE AVAILABLE TO A THIRD PARTY.  
AND IT ALSO MAY NOT BE IMPROPERLY USED BY THE RECEIVER, OR A THIRD PARTY.



## FTxx\*1)S0Gy\*2)

e.g. FT09S0G1

RoHS compliant

- \*1) xx No. of contacts 09, 15, 25 or 37
- \*2) y for performance classes 1, 2 or 3  
(contact cycle for G1/G2/G3 = 500/200/50)

xx	A [mm]	B [mm]	C [mm]
09	30.8	16.4	25
15	39.1	24.7	33.3
25	53	38.5	47.04
37	69.3	54.9	63.5

No.	St.	Part	Type Description/Material	Surface plating/Colour/Class
4	2	Clinch nut	FT 4-40 / Steel	tin plated
3	xx	Signal contact	S0 / Brass	G1/G2/G3 / AWG 20
2	1	Shell	Steel	tin plated
1	1	Insulator	PBT (-55°C - +125°C)	white

REV.	DATE	CH.-NO.	ORIGINAL: DIN A3-DRAWING AS A FILE	REPLACEMENT FOR:	PAGES
1					1



Measurement without tolerance occ. to ISO 2768-m

SCALE 2:1

TITLE

D-Sub Miniature Connector

NAME / DATE  
DRAWN Denzinger 21-05-2003  
CHECKED aschiekofer 21-05-2003



DWG.NO.

FTxxS0Gy

REV.

1

PAGES

1