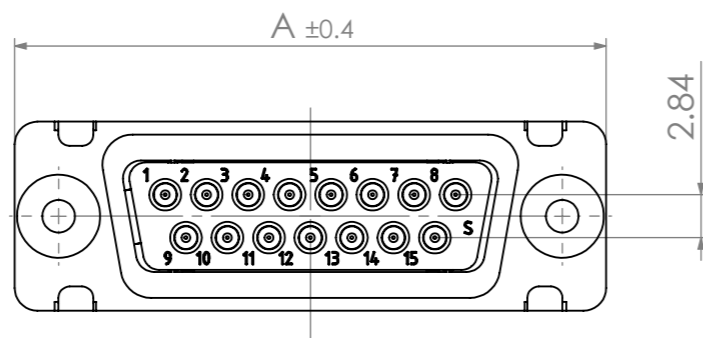
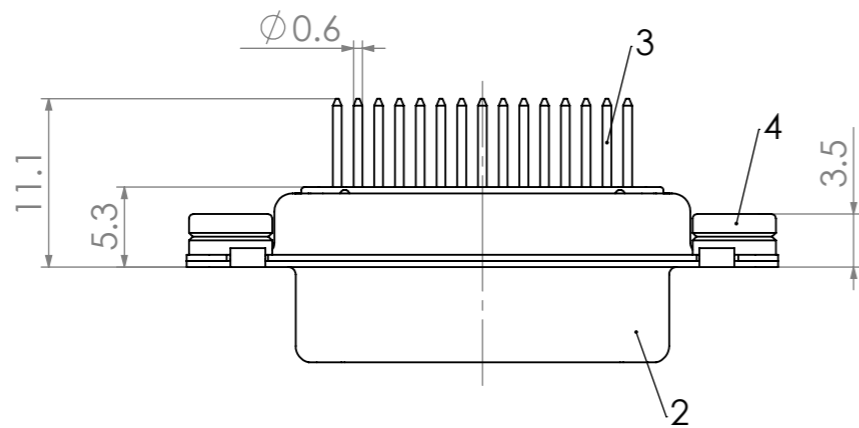
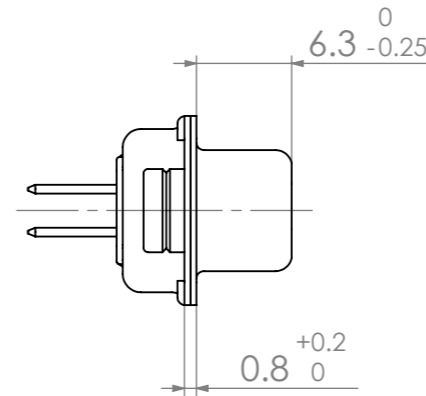
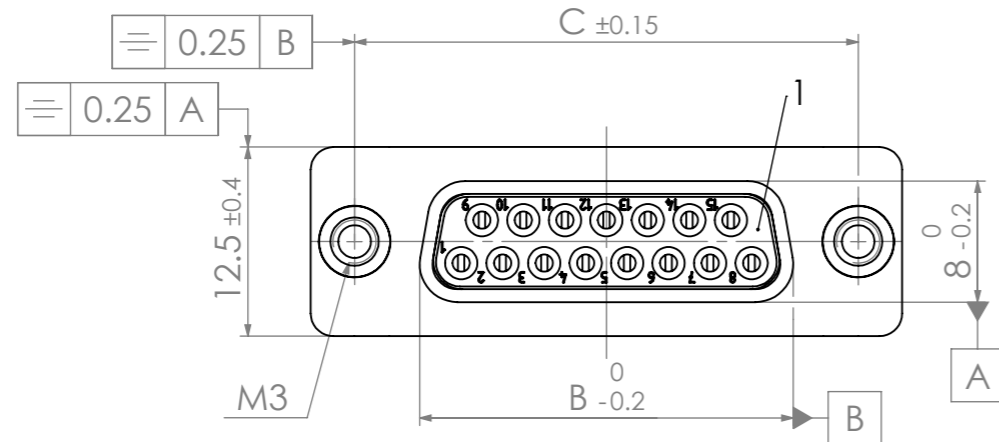


COMMENT:
ALL RIGHTS ARE RESERVED BY US FOR THIS DRAWING. WITHOUT OUR PRIOR CONSENT,
IT MAY NEITHER BE DUPLICATED NOR MADE AVAILABLE TO A THIRD PARTY.
AND IT ALSO MAY NOT BE IMPROPERLY USED BY THE RECEIVER, OR A THIRD PARTY.



FZxx*1)S1Gy*2)

e.g. F15S1G1

RoHS compliant

*1) xx No. of contacts 09, 15, 25 or 37
*2) y for performance classes 1, 2 or 3
(contact cycle for G1/G2/G3 = 500/200/50)

| xx | A [mm] | B [mm] | C [mm] | *E [mm] |
|----|--------|--------|--------|---------|
| 09 | 30,8 | 16,4 | 25 | ø1 |
| 15 | 39,1 | 24,7 | 33,3 | |
| 25 | 53 | 38,5 | 47,04 | |
| 37 | 69,3 | 54,9 | 63,5 | |

*PCB hole patterns, øE on supplement AM0023

| No. | St. | Part | Type | Description/Material | Surface plating/Colour/Class |
|-----|-----|----------------|------|----------------------|------------------------------|
| 4 | 2 | Clinch nut | FZ | M3 / Steel | tin plated |
| 3 | xx | Signal contact | S1 | Brass | G1/G2/G3 |
| 2 | 1 | Shell | | Steel | tin plated |
| 1 | 1 | Insulator | | PBT (-55°C - +125°C) | white |

| | | | | | |
|------|------|--|------------------------------------|------------------|---------------------------|
| | | Measurement without tolerance occ. to ISO 2768-m | | SCALE | TITLE |
| | | NAME / DATE DRAWN Denzinger 02-06-2003 CHECKED Floßmann 02-06-2003 | | 2:1 | D-Sub Miniature Connector |
| | | FCT a molex company | | DWG.NO. | |
| 1 | | | | FZxxS1Gy | 1 |
| REV. | DATE | CH.-NO. | ORIGINAL: DIN A3-DRAWING AS A FILE | REPLACEMENT FOR: | PAGES 1 |