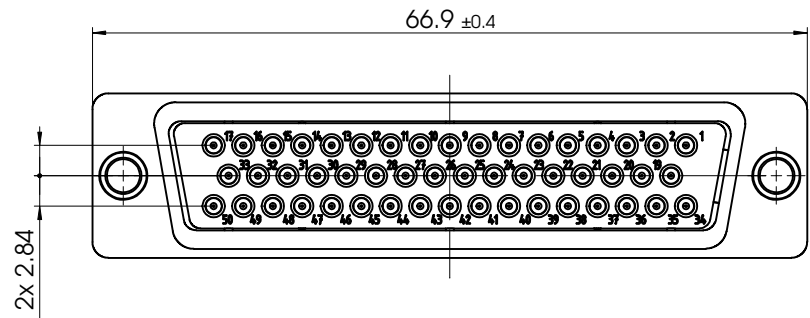
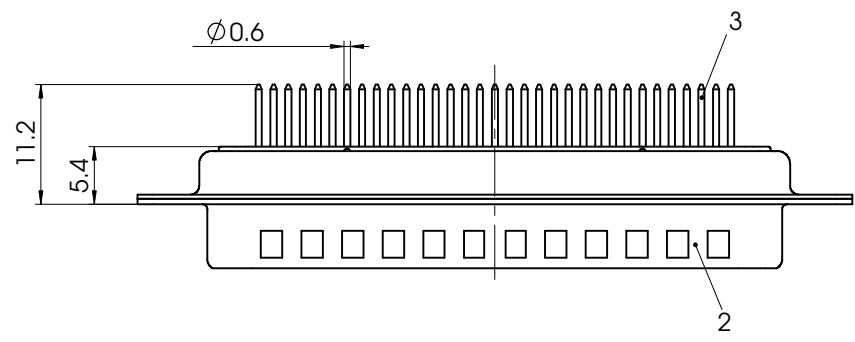
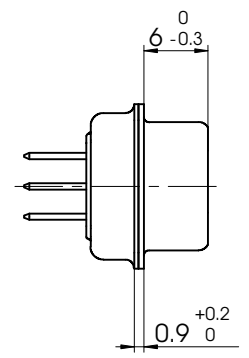
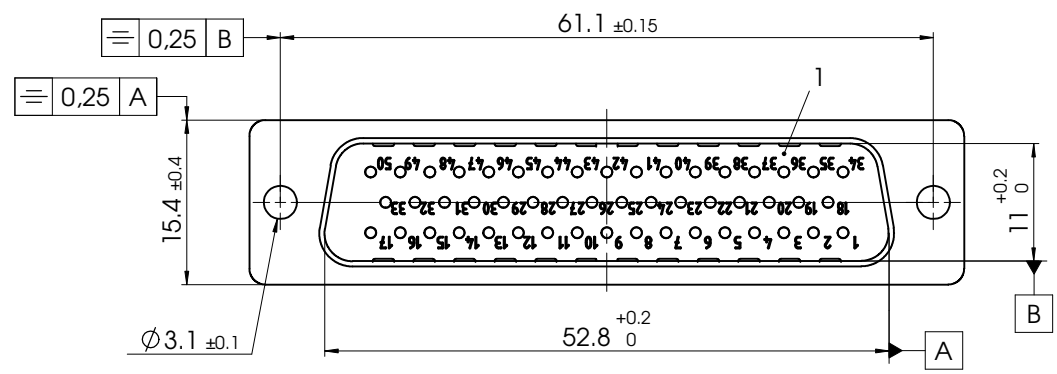
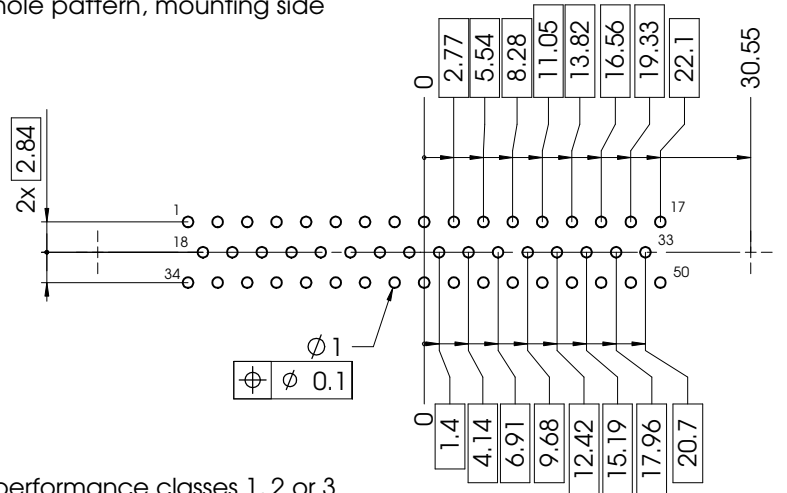


COMMENT:
 ALL RIGHTS ARE RESERVED BY US FOR THIS DRAWING. WITHOUT OUR PRIOR CONSENT,
 THIS DRAWING IS NOT TO BE REPRODUCED, COPIED, TRANSMITTED, OR OTHERWISE
 AND IT ALSO MAY NOT BE IMPROPERLY USED BY THE RECEIVER, OR A THIRD PARTY.



PCB hole pattern, mounting side



for performance classes 1, 2 or 3
 (contact cycle for G1/G2/G3 = 500/200/50)

3	50	Signal contact	P1 / Brass	G1/G2/G3
2	1	Shell	Steel	tin plated
1	1	Insulator	PBT (-55°C - +125°C)	white
No.	St.	Part	Type Description/Material	Surface plating/Colour/Class

		Measurement without tolerance occ. to ISO 2768-m SCALE 2:1		TITLE	
		NAME / DATE		D-Sub Miniature Connector	
		DRAWN Denzinger 24-09-2003			
		CHECKED aschiekofer 25-09-2003			
		fctgroup.com		DWG.NO.	
1				F50P1Gy	
REV.	DATE	CH.-NO.	ORIGINAL: DIN A3-DRAWING AS A FILE	REPLACEMENT FOR:	REV. 1
				PAGES	1