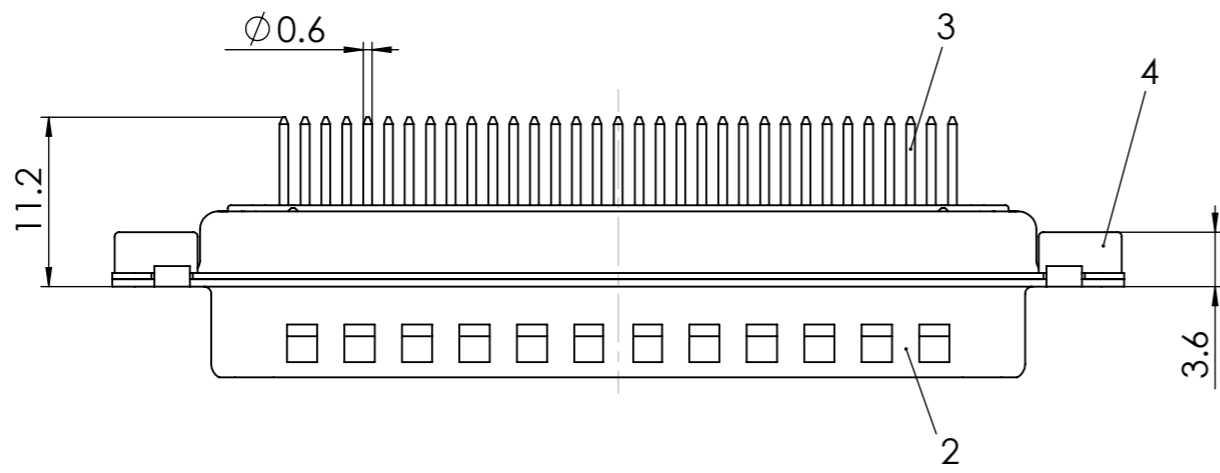
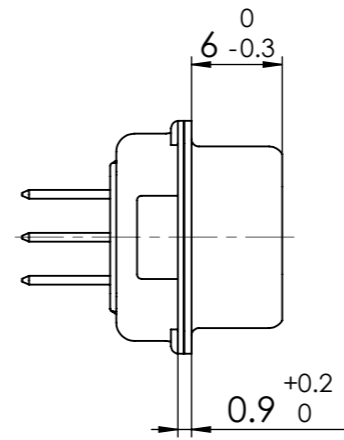
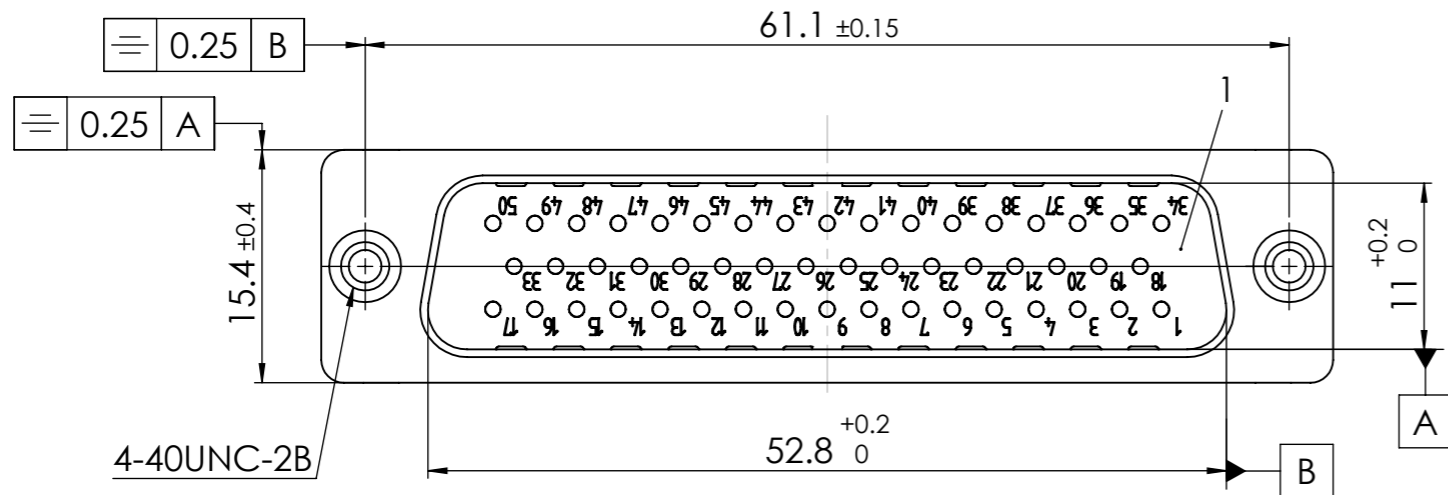
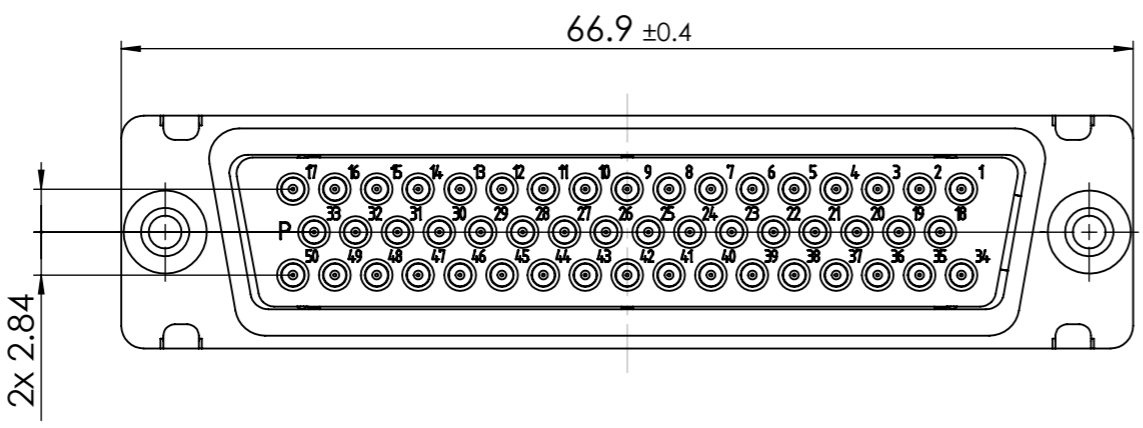
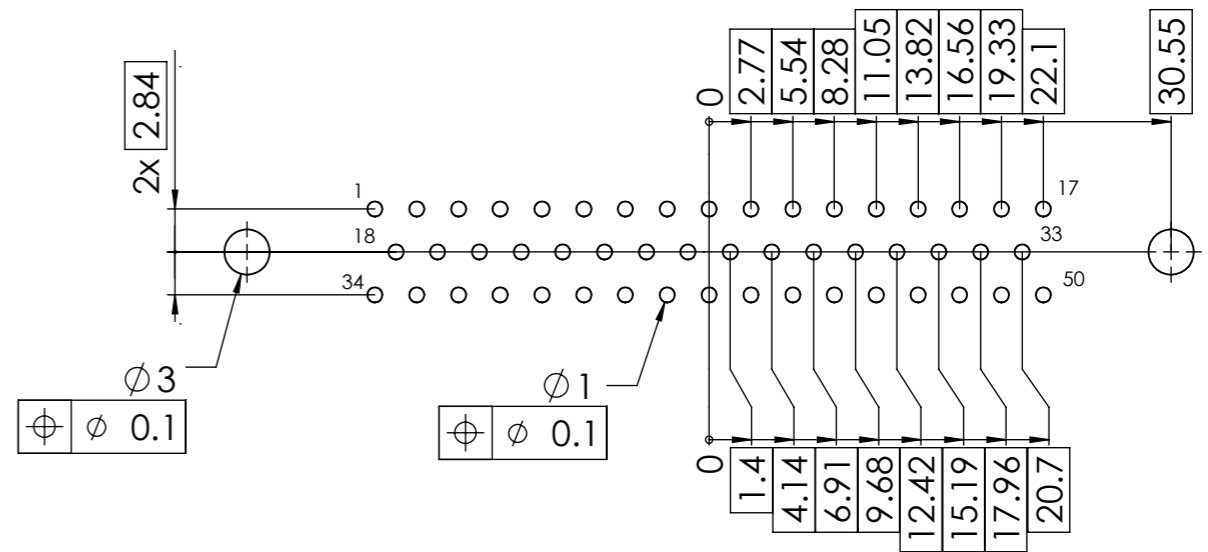


RoHS compliant



PCB hole pattern, mounting side



y for performance classes 1, 2 or 3
(contact cycle for G1/G2/G3 = 500/200/50)

No.	St.	Part	Type Description/Material	Surface plating/Colour/Class
4	2	Clinch nut	FT 4-40 / Steel	tin plated
3	50	Signal contact	P1 / Brass	G1/G2/G3
2	1	Shell	Steel	tin plated
1	1	Insulator	PBT (-55°C - +125°C)	white

COMMENT: ALL RIGHTS ARE RESERVED BY US FOR THIS DRAWING. WITHOUT OUR PRIOR CONSENT, IT MAY NEITHER BE DUPLICATED NOR MADE AVAILABLE TO A THIRD PARTY. AND IT ALSO MAY NOT BE IMPROPERLY USED BY THE RECEIVER, OR A THIRD PARTY.



Measurement without tolerance occ. to ISO 2768-m

SCALE 2:1

TITLE

D-Sub Miniature Connector

DRAWN MTeubel 27-01-2015

CHECKED ssChref 10-02-2015



DWG.NO.

FT50P1Gy

REV.

1