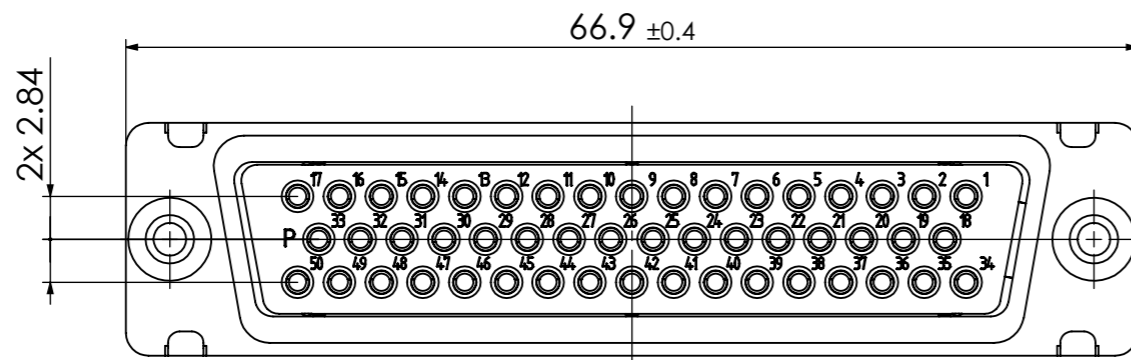
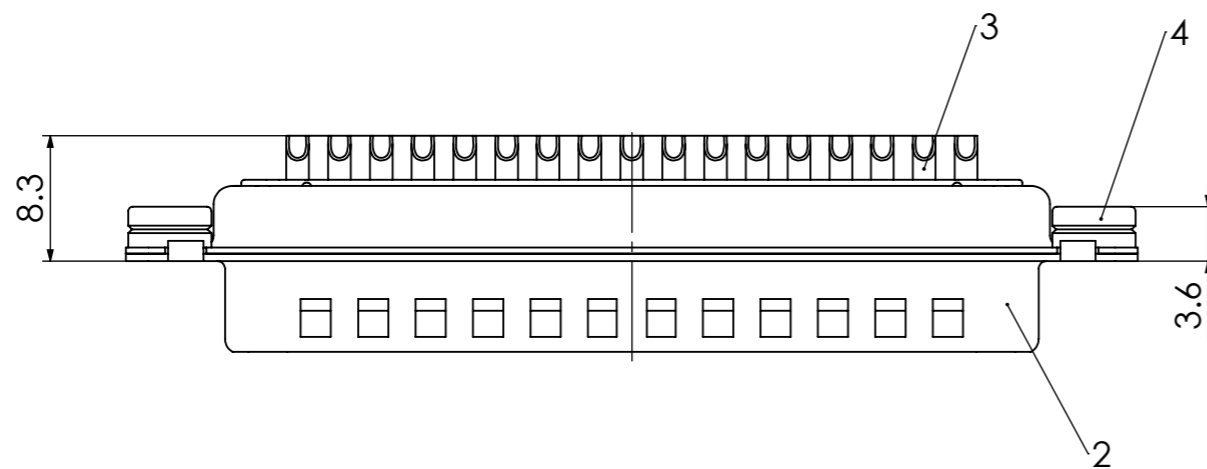
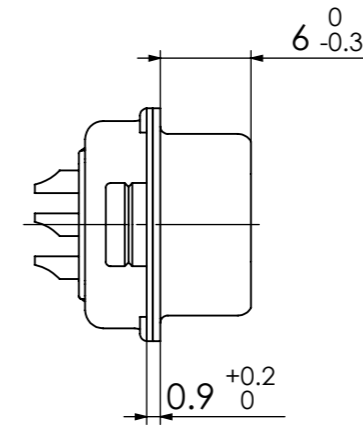
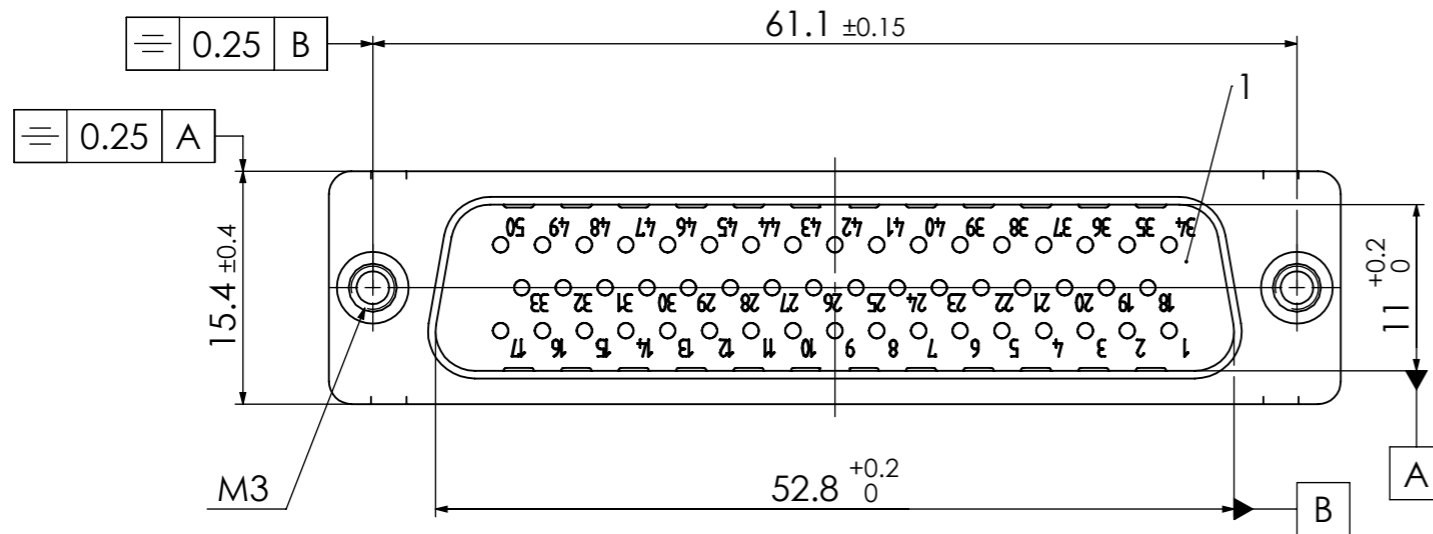


COMMENT: ALL RIGHTS ARE RESERVED BY US FOR THIS DRAWING. WITHOUT OUR PRIOR CONSENT, IT MAY NEITHER BE DUPLICATED NOR MADE AVAILABLE TO A THIRD PARTY. AND IT ALSO MAY NOT BE IMPROPERLY USED BY THE RECEIVER, OR A THIRD PARTY.



RoHS compliant

y for performance classes 1, 2 or 3
(contact cycle for G1/G2/G3 = 500/200/50)

No.	St.	Part	Type Description/Material	Surface plating/Colour/Class
4	2	Clinch nut	FZ M3 / Steel	tin plated
3	50	Signal contact	P0 / Brass	G1/G2/G3 / AWG20
2	1	Shell	Steel	tin plated
1	1	Insulator	PBT (-55°C - +125°C)	white

REV.	DATE	CH.-NO.	ORIGINAL: DIN A3-DRAWING AS A FILE	REPLACEMENT FOR:	PAGES
1					1

	SCALE 2:1	TITLE D-Sub Miniature Connector
DRAWN mpostulka 26-03-2015	DWG.NO. FZ50P0Gy	
CHECKED MTeubel 27-03-2015		
		REV. 1