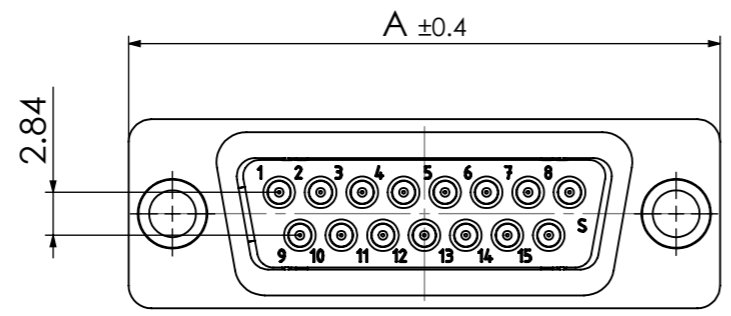
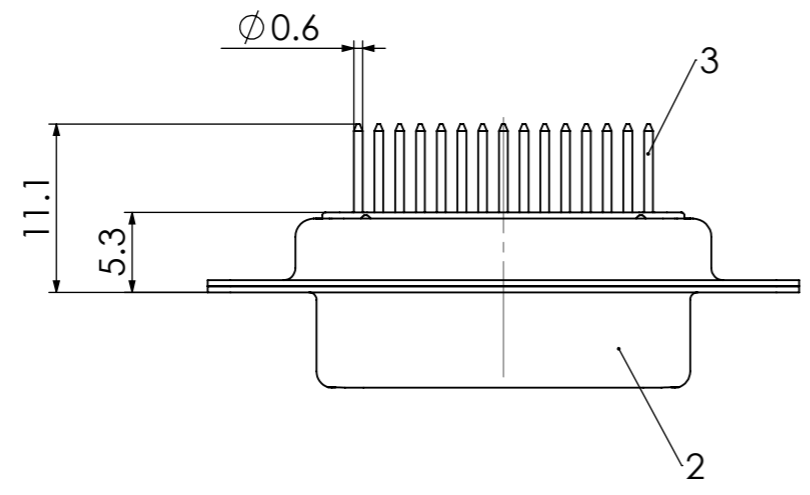
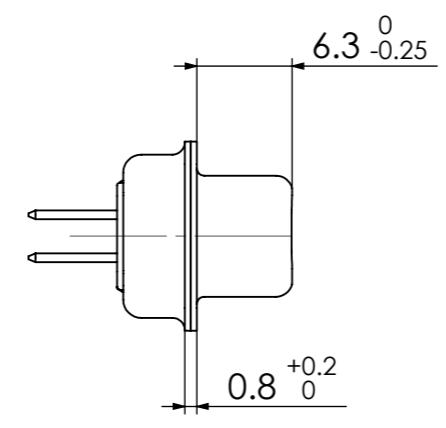
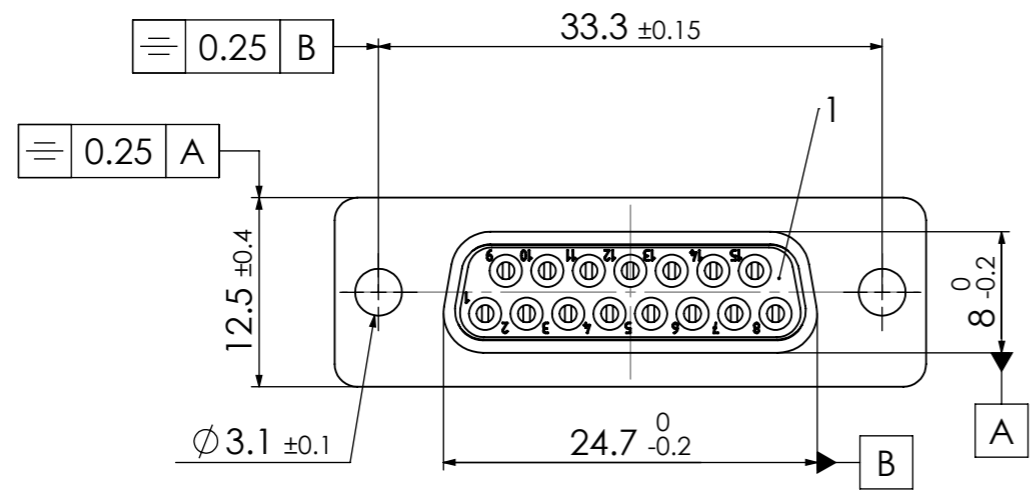


COMMENT: ALL RIGHTS ARE RESERVED BY US FOR THIS DRAWING. WITHOUT OUR PRIOR CONSENT, IT MAY NEITHER BE DUPLICATED NOR MADE AVAILABLE TO A THIRD PARTY. AND IT ALSO MAY NOT BE IMPROPERLY USED BY THE RECEIVER, OR A THIRD PARTY.



Fxx*1)S1Gy*2)

e.g. F15S1G1


*1) xx No. of contacts 09, 15, 25 or 37
 *2) y for performance classes 1, 2 or 3
 (contact cycle for G1/G2/G3 = 500/200/50)

xx	A [mm]	B [mm]	C [mm]	*E [mm]
09	30.8	16.4	25	ø1
15	39.1	24.7	33.3	
25	53	38.5	47.04	
37	69.3	54.9	63.5	

RoHS compliant

*PCB hole patterns, øE on supplement AM0023

3	xx	Signal contact	S1 / Brass	G1/G2/G3
2	1	Shell	Steel	tin plated
1	1	Insulator	PBT (-55°C - +125°C)	white
No.	St.	Part	Type Description/Material	Surface plating/Colour/Class

DRAWN	Denzinger 11-02-2003	CHECKED	Floßmann 12-02-2003	 a molex company	SCALE 2:1	TITLE D-Sub Miniature Connector	DWG.NO. FxxS1Gy	REV.	1
								REPLACEMENT FOR:	FxxS1Gy α