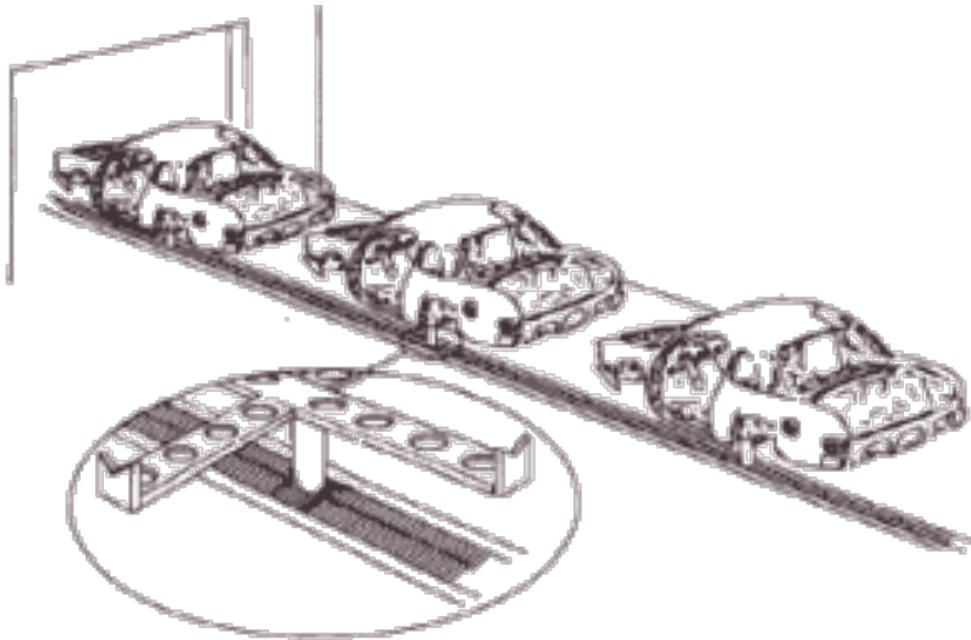


# ***Flex-Guard<sup>®</sup> Containment Protection...***

Now more than ever, industry recognizes the havoc that coolant, air, dust, chips, noise, and light can wreak on their manufacturing operations.

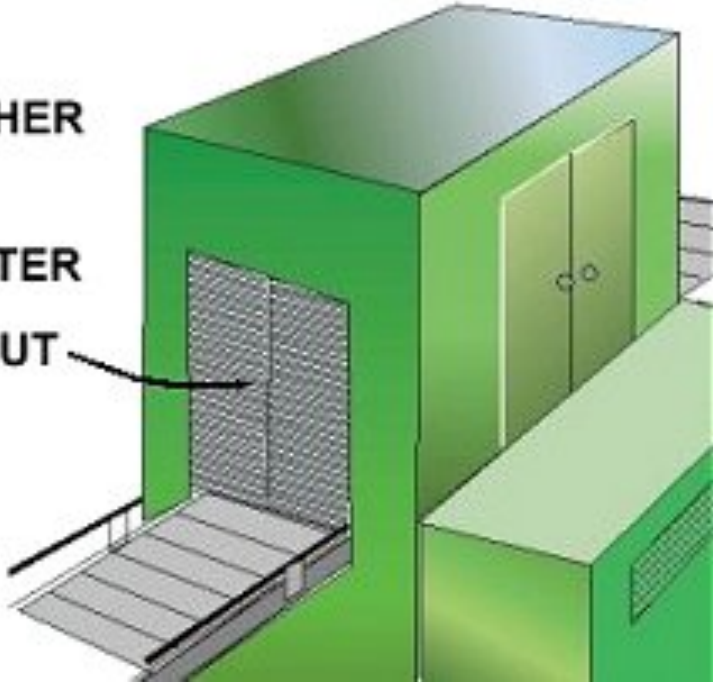
Felton's Flex-Guard<sup>®</sup> is the sensible, low-cost way to provide containment and safety on your equipment.

More and more users are turning to Felton's Flex-Guard<sup>®</sup> as a key element to reduce plant operating costs.

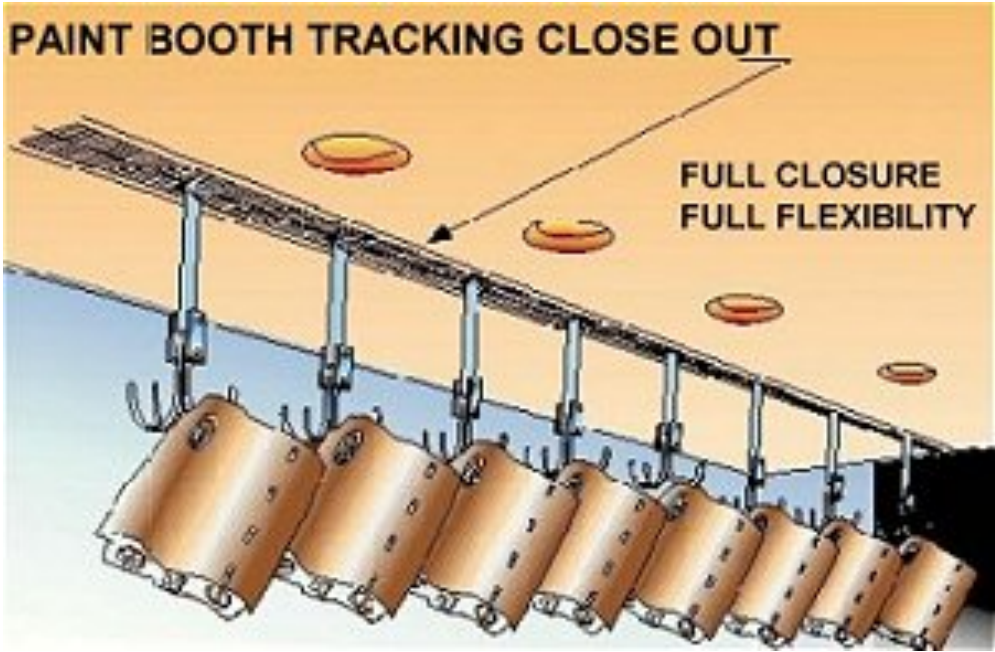


[www.feltoninc.com](http://www.feltoninc.com)

**PARTS WASHER  
OR  
SHOT BLASTER  
CLOSE OUT**

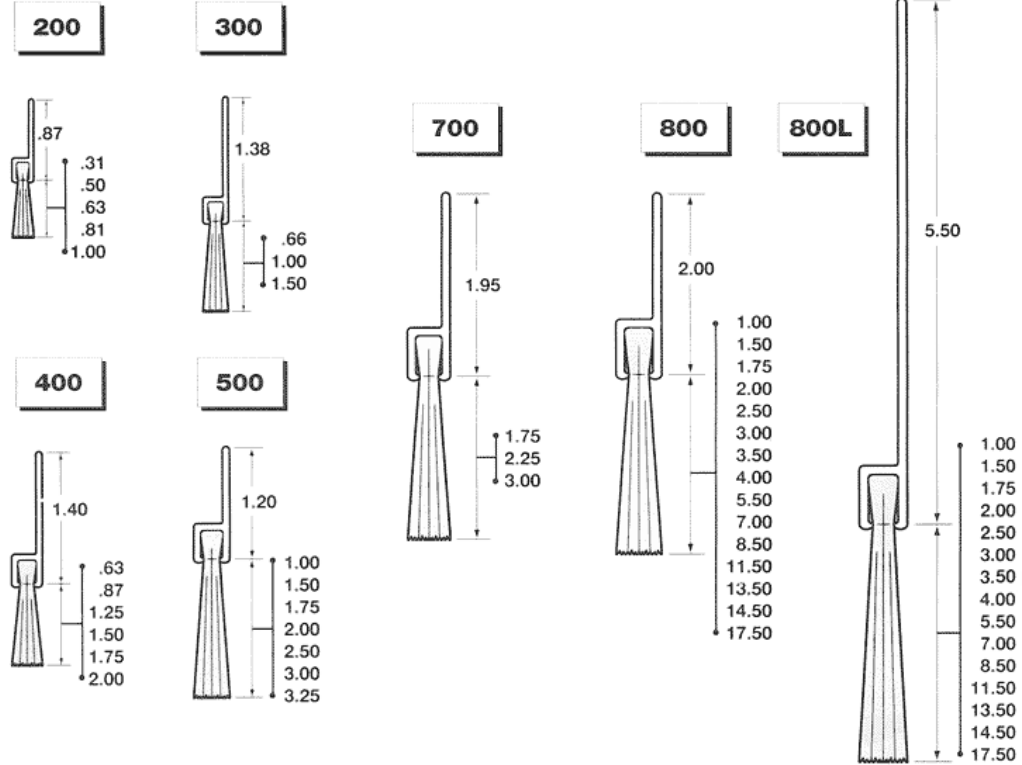


**PAINT BOOTH TRACKING CLOSE OUT**

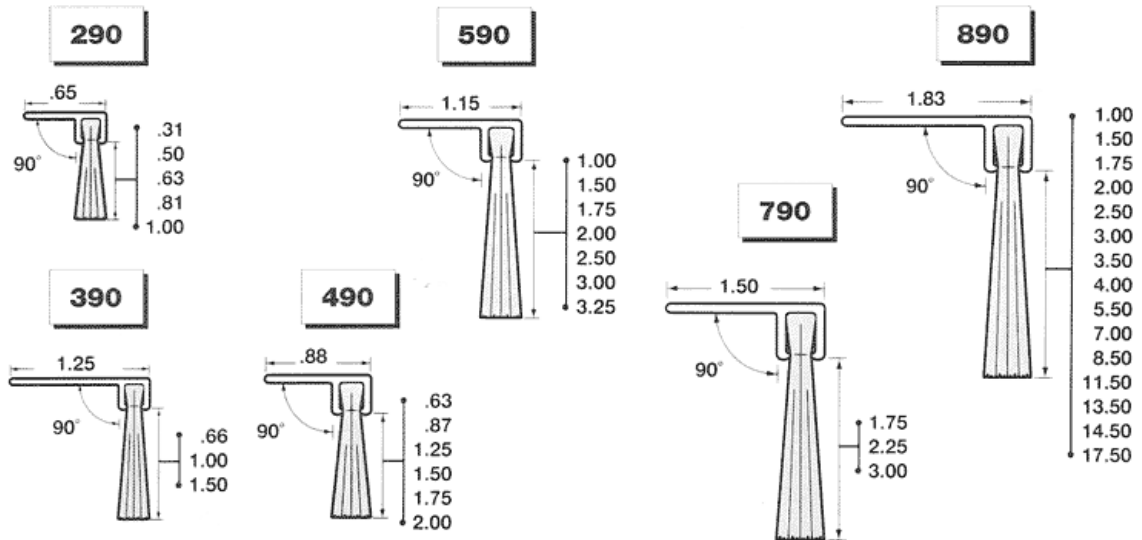


[www.feltoninc.com](http://www.feltoninc.com)

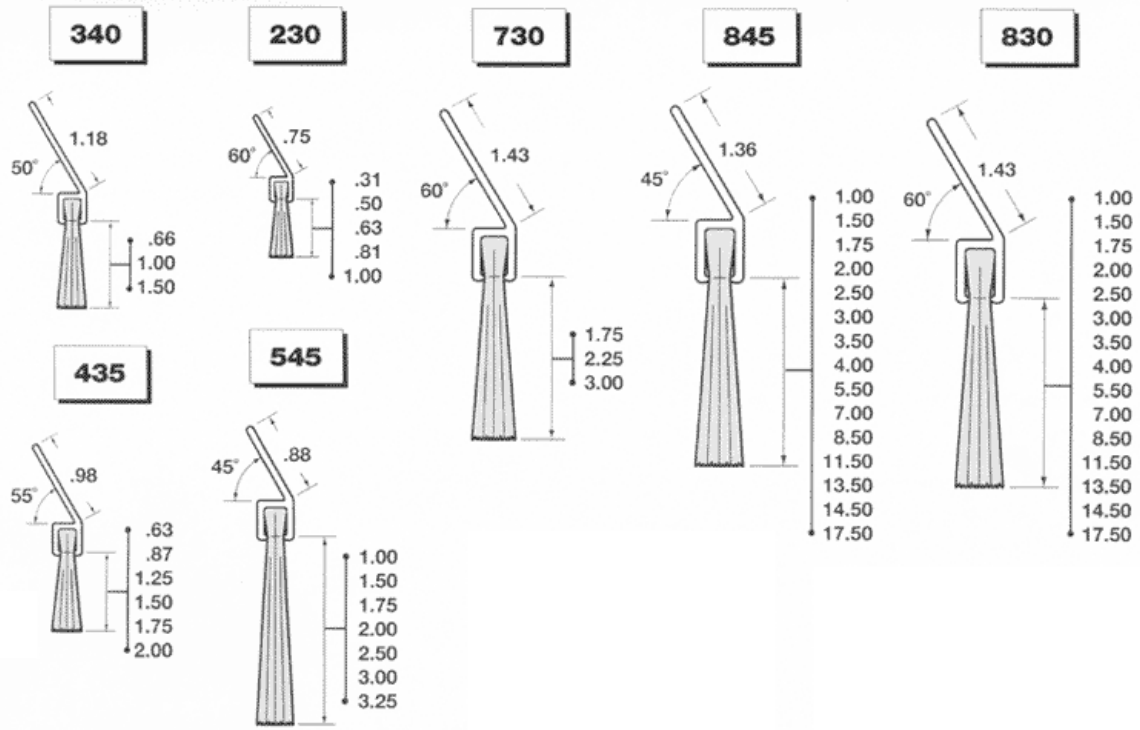
## Straight Mounting



## Right Angled Mounting



## Angled Mounting



## Reverse Angled Mounting

