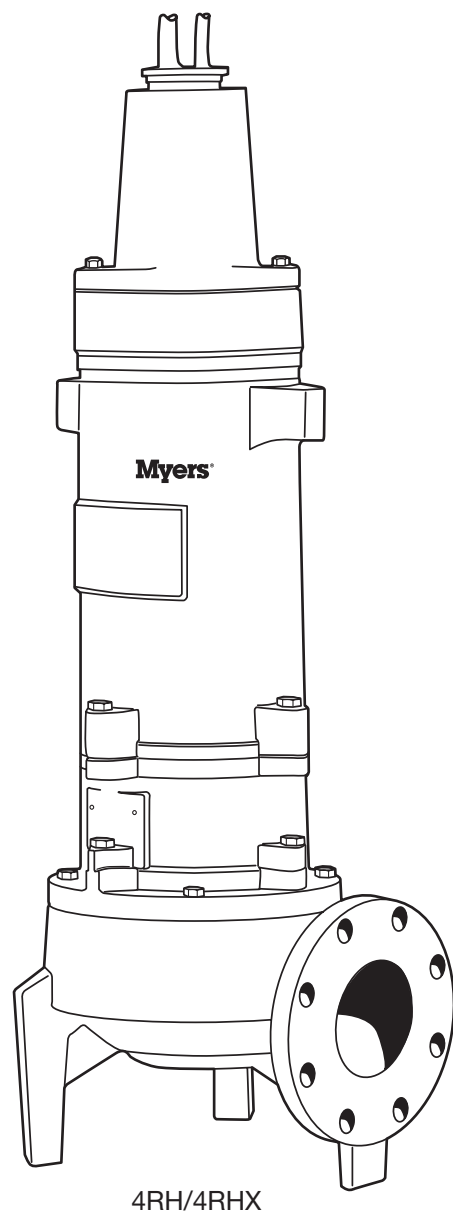
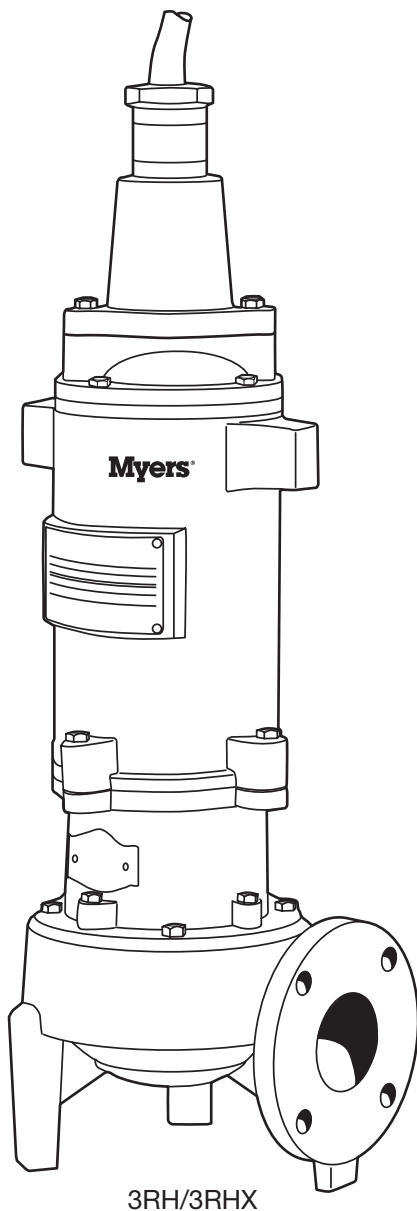




**Myers**<sup>®</sup>  
Pentair Water

# 3RH/3RHX\* and 4RH/4RHX\* Submersible Solids Handling Pumps

\*Used in Hazardous Locations Class 1, Division 1, Groups C & D



**Approved**  
(3RHX & 4RHX  
ONLY)

## Installation and Service Manual

## CAUTION!

Read these safety warnings first before installing, servicing, or operating any pump.

## GENERAL

1. Most accidents can be avoided by using **COMMON SENSE!**
2. Read the operation and maintenance instruction manual supplied with the pump.
3. Do not wear loose clothing that can become entangled in the impeller or other moving parts.
4. This pump is designed to handle materials which could cause illness or disease through direct exposure.

Wear adequate protective clothing when working on the pump or piping.

## ELECTRICAL

**WARNING: Only qualified persons shall conduct services and installations of this pump. The pump must be wired by a qualified electrician, using an approved starter box and switching device.**

5. To reduce the risk of electrical shock, pump must be properly grounded in accordance with the National Electric Code and all applicable state and local codes and ordinances.
6. To reduce risk of electrical shock, disconnect the pump from the power source before handling or servicing.
7. Any wiring to be done on pumps should be done by a qualified electrician.
8. Never operate a pump with a power cord that has frayed or brittle insulation.
9. Never let cords or plugs lay in water.
10. Never handle connected power cords with wet hands.

## PUMPS

11. Pump builds up heat and pressure during operation, allow time for pump to cool before handling or servicing.
12. Only qualified personnel should install, operate or repair pump.
13. Keep clear of suction and discharge openings. **DO NOT** insert fingers in pump with power connected.
14. Do not pump hazardous material not recommended for pump (flammable, caustic, etc.).
15. Make sure lifting handles are securely fastened each time before lifting.
16. Do not lift pump by power cord.
17. Do not exceed manufacturers recommendation for maximum performance, as this could cause the motor to overheat.

18. Secure the pump in its operating position so it can not tip over, fall or slide.
19. Keep hands and feet away from impeller when power is connected.
20. Submersible solids handling pumps are not approved for use in swimming pools, recreational water installations, decorative fountains or any installation where human contact with the pumped fluid is common.
21. Do not operate pump without safety devices in place.
22. For hazardous locations, use pumps that are listed and classified for such locations.

**IMPORTANT!** F.E. Myers is not responsible for losses, injury or death resulting from a failure to observe these safety precautions, misuse or abuse of pumps or equipment.

## GENERAL INFORMATION:

**Pump Models:** These instructions cover the installation and service of the Myers 3RH, 4RH, 3RHX and 4RHX series solids handling submersible pumps. The 3RHX and 4RHX models are Factory Mutual approved and listed hazardous location for hazardous sewage locations Class 1, Division 1, Groups C and D.

**Motor HP & Voltages:** These solids handling pumps are offered in single and three phase up to 5 HP, and three phase wiring configuration only in the 7-1/2 HP 3RH/3RHX and all 4RH/4RHX models. Voltages will vary according to the application and can be seen in the tables in this manual. Three phase stators are available with dual voltage configurations that will allow either 230V or 460V internal connection.

**Electrical Controls:** All of these pump models must be used with a control panel. Myers built control panels are designed to supply the correct electrical controls, motor starting equipment and include the circuitry for moisture and heat sensors. It is recommended that a Myers built control panel be used so that all warranties apply.

**General Construction:** The 3RHX and 4RHX motor construction is designed to meet Factory Mutual requirements for Class 1, Division 1, Group C and D sewage applications. The 3RHX and 4RHX models are certified and name plated with this approval. A cross sectional view of the internal workings of the pumps can be seen on page 6. The motor chamber and seal chamber are filled with a high dielectric type oil for improved lubrication and heat transfer of the bearings and motor. Since the bearings have been designed for 50,000 hours of life, the oil should never require replacement under normal operating conditions. An air space

above the oil level in both the seal and motor chambers is provided to allow for the expansion of the oil when at operating temperature. The power and control lines are sealed and strain relieved on the outside entrance with a standard cord grip, and internally through the use of a dielectric potting resin surrounding the electrical wires. Internal connection wiring diagrams are shown in Figure 2. All of the pump fasteners and shafts are made from corrosion resistant stainless steel, while the pump castings are made of ASTM A-48 Class 30 cast iron, and the multi-vane vortex impellers are made from ductile iron.

**General Installation:** Various configurations and methods of plumbing in this series of solids handling pumps may be used; however, for ease of installation and service a Myers 3" or 4" rail lift-out system is recommended.

**Note:** If the 3RH or 4RH hazardous location pumps are used in conjunction with a rail lift-out system, it must be a Factory Mutual approved non-sparking, hazardous location system. The Myers approved lift-out models are:

<u>3" Lift-Out</u>	<u>4" Lift-Out</u>
SRAX3030	SRAX44HH

**Note:** If these Guidelines are not followed, the Factory Mutual Hazardous Location approval is void.

**Hazardous Location Service:** These pumps are to be used for handling sewage, wastewater and storm water only. Do not use in other hazardous locations. These motors must be repaired and serviced only at Myers Authorized Service Centers or at the Myers Factory. Any unauthorized field repair voids warranty and the hazardous location rating.

**CAUTION: After the pump is installed and sewage has entered the basin there is "Danger". Sewage water gives off methane and hydrogen sulfide gases, which are poisonous. Never enter a wet well unless the cover is open for a sufficient period of time to allow fresh air into the basin. It is recommended that a man in the basin have a harness on with a rope to the surface, so that he can be pulled out in case of asphyxiation. It is for this reason that Myers recommends using the rail lift-out system so that no service is required inside the basin.**

**Motor:** Each motor is provided with heat sensor thermostats attached directly to the motor windings. The thermostats open if the motor windings see excessive heat and, in turn, open the motor contactor in the control panel, breaking the power to the pump. When the motor

is stopped due to an overheat condition, it will not start until the motor has cooled and the heat sensor reset button is manually pushed on the front of the Myers control panel. This circuitry is provided in the Myers control panel designs.

The 3RH/3RHX and 4RH/4RHX pumps are equipped with internal thermostats. The 3RH/3RHX models are designed to meet Class B heat rise of 266 F (130 C), and the 4RH/4RHX models are designed to meet Class F heat rise of 311 F (155 C).

**Note:** Failure to use proper circuitry and to connect the motor overheat protection in the control panel would negate all warranties and Factory Mutual Approval.

**Motor Seal Failure Warning:** The seal chamber is oil filled and provided with moisture sensing probes to detect water leakage through the lower shaft seal. The probes can also detect moisture present in the upper motor housing.

The presence of water energizes a red seal leak warning light at the control panel. This is a warning light only, and does not stop the motor. It indicates a leak has occurred and the pump must be repaired. Normally, this indicates the outboard seal has leaked. Allowing the unit to operate too long after the warning could cause upper seal leakage along with motor failure.

The resistance across the moisture sensing (seal failure) probes, should be checked after a seal leak warning light has lit. This can be done by disconnecting the red and orange control wires from the control panel, and measuring the resistance with an ohm meter between the wires. For a standard, non-hazardous location pump the reading should be 100,000 ohms or greater, and for an hazardous location pump the reading should be above 30,000 ohms. If the measured values are below those indicated above, the pump may have a lower seal failure and require service.

On the Myers' hazardous location control panels the seal leak test switch tests the seal leak circuit continuity. When pushed the seal leak test bulb should light. If the test bulb does not light it means either the wiring circuitry to the seal leak probes has been broken or the bulb has burned out.

**Note:** Myers built control panels supply the correct circuitry for moisture and heat sensor connections. Failure to install the correct circuitry with proper connection would negate warranty and Factory Mutual Approval. See Figures 3 and 4.

### **Motor Power Cord, Control Cord and Cord Cap**

**Assembly:** Each motor power cord has 4 conductors - white, black, red and green. For a three phase motor the red, black and white conductors connect to the three line leads, and the green is connected to a good ground. Interchanging any two line leads will reverse the rotation of the motor. For a single phase motor the black is connected to the common lead, the white is connected to the main lead, while the red is connected to the start circuitry, and the green is attached to a good ground. The rotation of a single phase pump is set properly at the factory.

**Note:** Rotation should be clockwise when observed from the top of the pump. This can be checked by noting which direction the pump torques upon initial starting. A properly rotating pump will torque counterclockwise upon start.

The control cable has 5 conductors - black, white, red, orange and green. White and black connect to the heat sensor terminals in the control panels; red and orange connect to the seal failure terminals in the control panel; and the green connects to the ground in the control panel.

**Electrical Motor Controls:** All electrical controls and motor starting equipment should be as specified in these instructions. Consult factory for any acceptable alternates. For Hazardous locations the control and control panel must be installed outside the hazardous area, or approved hazardous location controls that are intrinsically safe must be used.

**Junction Box:** If a junction box is used in a hazardous location, it must be an hazardous location approved type with hazardous location cord connectors. Wires from the junction box must pass through an hazardous location seal connector.

**Level Sensing Controls:** Intrinsically safe-type float controls are recommended for all applications and required for hazardous location service. An intrinsically safe control panel relay will limit the current and voltage to the level controls. A Myers' control panel can be supplied with this type circuitry.

The float level controls maintain the basin sewage water level by controlling pump turn-on and turn-off levels.

1. The lower turn-off control should be set so that the pump stops with the water covering the entire motor housing. Consult the factory for any settings below this point.
2. The upper turn-on control should be set above the lower turn-off control. The exact height between the two controls is determined by the number of pump starts desired and the depth of the basin. A maximum of 10 starts per hour should not be exceeded.
3. The override control is set at a specified height above the upper turn-on control.
4. The alarm control is set about 6" to 12" above the override control.
5. No control should be set above the inlet invert.

**Electrical Connections:** All electrical wiring must be in accordance with local code and only qualified electricians should make the installations. Complete wiring diagrams are included for use in making the installation. All wires should be checked for shorts to ground with an ohmmeter or megger after the connections are made. This is important, as one grounded wire can cause failure of the pump, control panel or personal injury.

**Pump:** The fluid end of the pump is field serviceable and can be disassembled in case of wear, damage, plugging or outboard seal failure. The following will describe the disassembly and reassembly process.

### **Disassembly**

1. With the pump located in a secure place, remove the bolts fastening the seal housing to the volute. The motor and impeller can now be removed as a unit.
2. Lay the unit down on its side. If the lower seal is to be removed, it is recommended that the oil in the seal chamber be drained. This can be done by removing the lower seal chamber plug and draining the oil into a holding container.
3. Using a proper wrench, the impeller retaining bolt and washer must be removed. This may require a piece of wood placed between the vanes to keep the impeller from rotating while removing the bolt. Loctite TM is used on this bolt and heating to 450 500 F may also be required to loosen. The impeller is mounted on a tapered shaft with a driving key. To remove, support the impeller with one hand, while tapping on the outside diameter of the impeller lightly.

4. If the lower seal needs removed, first remove the compression spring that rides between the impeller and the seal assembly. Next take a pair of screwdrivers and remove the compression ring that surrounds the rubber bellows on the rotation portion of the seal assembly. Again using the screwdrivers, pry the remaining portion of the rotation seal assembly off the shaft. The ceramic stationary can be removed by placing a screwdriver between the rubber and ceramic face, and then prying, working around the entire diameter. Note, these parts should be discarded and a new seal assembly installed.
  5. If the oil in the seal chamber was drained, examine the contents to determine if the upper seal has been damaged. Signs of grit or other abrasive material may indicate that the upper seal has also been damaged. Pressurizing the motor housing assembly between 7 and 10 PSI and observing any drop in pressure will indicate if the upper seal is functioning properly.
2. Position the key into the seat in the shaft. Align the impeller onto the shaft, making sure that the seal spring is registered properly onto the back side of the impeller. Place the proper Loctite fluid on the shaft retaining bolt. Insert the bolt and washer assembly into the shaft and tighten to the proper torque (3RH/3RHX 20 ft.-lbs., 4RH/4RHX 93 ft.-lbs.)
  3. Fill the seal chamber with new dielectric oil. An air gap of 10-15% volume must be left for the expansion of the oil when it is at operating temperature.
  4. The motor and impeller assembly can be installed into the volute, making sure that the units are aligned properly. Install the volute retaining bolts and tighten.
  5. Air tends to trap in the pump case when water rises in the sump or when the pump is lowered into the water after service. To vent off this air a small hole is drilled into the volute casting. Be sure this vent hole is clean after any service work on pump. Air venting is not a problem after initial start

**Note:** Upper seal repairs must be done at a Myers Authorized Service Center or at the Myers factory. Any unauthorized field repair voids warranty and the hazardous location approval on the Factory Mutual listed pump.

### **Reassembly**

1. Remove the ceramic portion of the new seal from the package. Brush new dielectric oil around the rubber portion of the stationary assembly and into the pocket in the seal housing. Note, keep the oil off the seal face. Without scratching the seal face, press the ceramic stationary portion into the seal housing. A piece of PVC pipe that fits onto the face of the seal works well for installation. With clean cloth, lightly wipe the face of the seal surface to make sure it is dirt free. Remove the rotating portion of the seal from the package and lubricate the inside diameter of the rubber bellows and the outside diameter of the shaft. Place the seal over the shaft (make sure the key is removed). Evenly press on the body of the rotational assembly and slide it down the shaft until the seal faces meet. A PVC pipe with the inside diameter slightly larger than the shaft diameter can work well to press the rotational assembly into position. Once the seal assembly is in position, place the spring over the register on the rotational portion of the seal.

# 3RH/3RHX and 4RH/4RHX PUMPS

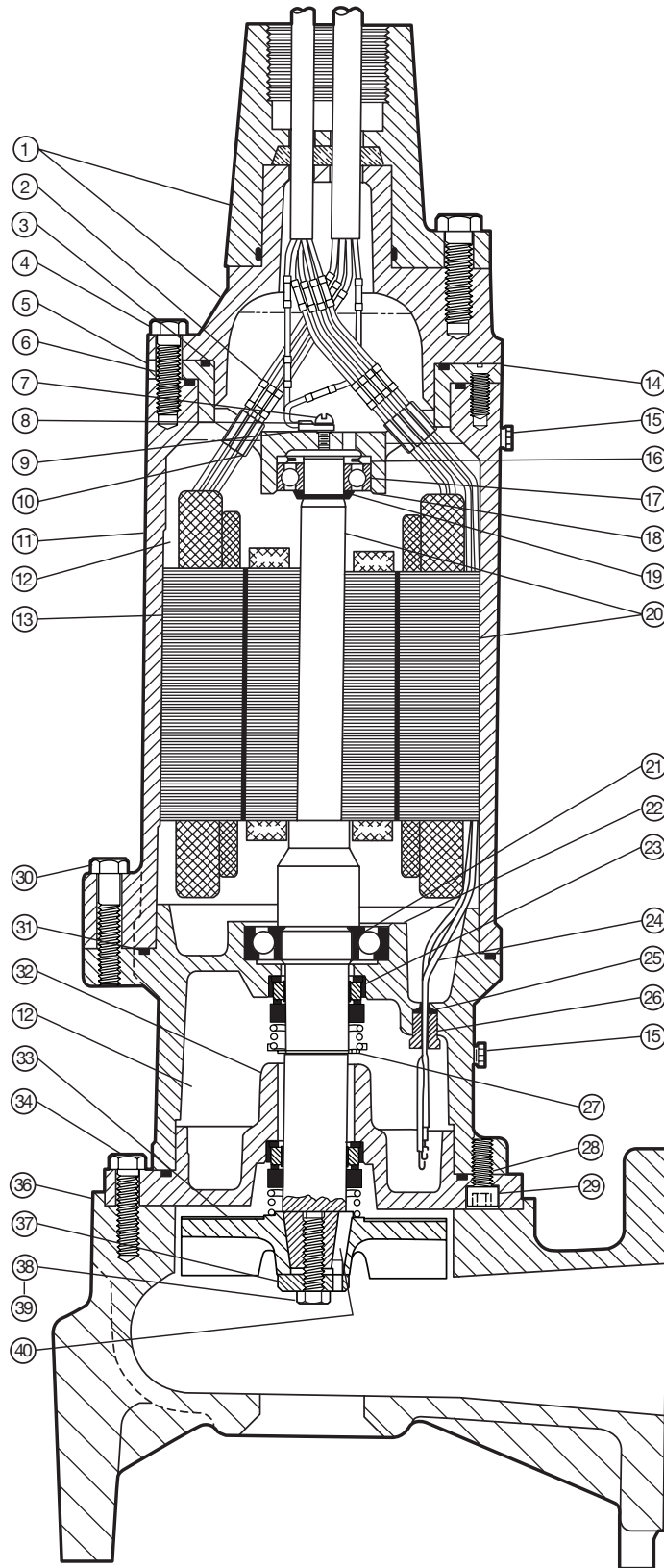


Fig. 1

REF. NO.	DESCRIPTION	NO. REQ'D.	PART NUMBERS	
			3RH/3RHX	4RH/4RHX
1	Cord Cap Complete	1	See Chart	See Chart
2	Connector	3	12672A003	23394A002 <sup>4 &amp; 6 GA.</sup>
	Connector	1-230V 3-460V	21591A001	21591A002
	Connector	3	-	23394A001 <sup>10 GA.</sup>
3	O-Ring	1	05876A123	05876A119
4	Cap Screw, Hex Hd.	4	19102A006	19103A045
5	Cap, Upper Bearing	1	22590B000	22873C00
6	O-Ring	1	05876A112	05876A120
7	Machine Screw	1	05434A043	05028A002
8	Washer	1	05030A126	05030A091
9	Lockwasher	1	06107A015	06107A016
10	Tube, Plastic, 3" Lg.	2	10649A116	10649A116
11	Housing, Motor	1	22571D000	22874D000
12	Oil, Transformer (5 Gal. Can)	1.6 Gal. 1.8 Gal.	11009A006K	11009A006K
13	Stator	1	See Chart	See Chart
14	Machine Screw, Socket Flat Hd., 5/16-18 x 1"	2	07597A017	07597A017
15	Pipe Plug, 1/4" NPT, Hex	2	05022A054	05022A054
16	Washer, Spring	2	19331A006	19331A007
17	Bearing, Ball	1	08565A022	08565A032
18	Washer, Support	1	05030A215	-
19	Ring, Retaining	1	12558A025	-
20	Rotor with Shaft	1	See Chart	See Chart
-	Shaft Only (For all HP units)	1	25985C000	25989D000
21	Bearing, Angular Ball	1	25833A003	25833A002
22	Housing, Seal	1	22576D000	22882D000
23	Seal, Shaft	2	22577A000	22883A000
24	Electrode, Wire (Standard Units)	2	22578A000	22578A001
	Electrodes with Resistor (Hazardous Location)	1	22578A006	22578A008
25	Ferrule, Rubber	1	22579A000	22579A000
26	Plug, Special	1	21577A000	21577A000
27	Ring, Retaining	1	12558A008	12558A017
28	O-Ring	1	05876A113	05876A121
29	Cap Screw	4	06106A028	19103A043
30	Cap Screw, Hex Hd.	4	19102A023	19103A048
31	O-Ring	1	05876A114	05876A121
32	Housing, Lower Seal with Bearing	1	22638C000	25991D000
33	Impeller - Specify O.D.	1	25983B500	25987B500
34	Cap Screw, Hex Hd.	4	19102A020	19103A043
36	Case, Volute	1	25984D000	25988D000
37	Washer, Retainer with Pin	1	23609A001	23609A003
38	Cap Screw, Hex Hd.	1	19101A017	19105A033
39	Sealant, Loctite Grade 680	2	14550A009	14550A009
40	Key, Square	1	05818A066	05818A067
-	Set Screws (Not Shown - Backoff Screws for Cord Cap)	2	06024A008	06024A009
-	Emblem, Oil Fill (Not Shown)	2	23395A000	23395A000

PUMP CATALOG NUMBERS		1 CORD CAP ASS'Y		20 ROTOR W/SHAFT	13 STATOR ONLY	STATOR W/HOUSING
		25' LGTHS.	SPECIFY LGTH.			
3RH30M2-01	3RHX30M2-01	22569B011	22569B901	26124C000	22574C210	22571D245K
3RH30M2-21	3RHX30M2-21	22569B011	22569B901	26124C000	22574C210	22571D245K
3RH30M2-03	3RHX30M2-03	22569B011	22569B901	26124C001	22574C211	22571D250K
3RH30M2-23	3RHX30M2-23	22569B011	22569B901	26124C001	22574C212	22571D255K
3RH30M2-43	3RHX30M2-43	22569B010	22569B900	26124C001	22574C212	22571D255K
3RH30M2-53	3RHX30M2-53	22569B010	22569B900	26124C001	22574C214	22571D265K
3RH50M2-01	3RHX50M2-01	22569B011	22569B901	26124C002	22574C200	22571D220K
3RH50M2-21	3RHX50M2-21	22569B011	22569B901	26124C002	22574C200	22571D220K
3RH50M2-03	3RHX50M2-03	22569B011	22569B901	26124C003	22574C201	22571D225K
3RH50M2-23	3RHX50M2-23	22569B011	22569B901	26124C003	22574C202	22571D231K
3RH50M2-33	3RHX50M2-43	22569B010	22569B900	26124C003	22574C202	22571D231K
3RH50M2-53	3RHX50M2-53	22569B011	22569B901	26124C003	22574C204	22571D240K
3RH75M2-03	3RHX75M2-03	22569B011	22569B901	26124C002	22574C215	22571D450K
3RH75M2-23	3RHX75M2-23	22569B011	22569B901	26124C002	22574C002	22571D455K
3RH75M2-43	3RHX75M2-43	22569B010	22569B900	26124C002	22574C216	22571D455K
3RH75M2-53	3RHX75M2-53	22569B010	22569B900	26124C002	22574C217	22571D460K
4RH75M2-03	4RHX75M2-03	22872C010	22872C900	26123C004	26040D208	22874D340K
4RH75M2-23	4RHX75M2-23	22872C010	22872C900	26123C004	26040D209	22874D345K
4RH75M2-43	4RHX75M2-43	22872C011	22872C901	26123C004	26040D208	22874D345K
4RH75M2-53	4RHX75M2-53	22872C011	22872C901	26123C004	26040D210	22874D350K
4RH100M2-03	4RHX100M2-03	22872C010	22872C900	26123C005	26040D211	22874D355K
4RH100M2-23	4RHX100M2-23	22872C010	22872C900	26123C005	26040D212	22874D360K
4RH100M2-43	4RHX100M2-43	22872C010	22872C900	26123C005	26040D212	22874D360K
4RH100M2-53	4RHX100M2-53	22872C011	22872C901	26123C005	26040D213	22874D365K
4RH150M2-03	4RHX150M2-03	22872C012	22872C902	26123C005	26040D214	22874D370K
4RH150M2-23	4RHX150M2-23	22872C012	22872C902	26123C005	26040D215	22874D375K
4RH150M2-43	4RHX150M2-43	22872C010	22872C900	26123C005	26040D215	22874D375K
4RH150M2-53	4RHX150M2-53	22872C010	22872C900	26123C005	26040D216	22874D380K
4RH200M2-23	4RHX200M2-23	22872C012	22872C902	26123C005	26040D215	22874D375K
4RH200M2-43	4RHX200M2-43	22872C010	22872C900	26123C005	26040D215	22874D375K
4RH200M2-53	4RHX200M2-53	22872C010	22872C900	26123C005	26040D216	22874D380K



STANDARD UNITS		HAZARDOUS LOCATION		MOTOR DESCRIPTION
ENGR. NO.	CATALOG NO.	ENGR. NO.	CATALOG NO.	
25986E000	3RH30M2-01	25986E600	3RHX30M2-01	3 H.P. - 200 VOLT - 1 PHASE
25986E001	3RH30M2-21	25986E601	3RHX30M2-21	3 H.P. - 230 VOLT - 1 PHASE
25986E002	3RH30M2-03	25986E602	3RHX30M2-03	3 H.P. - 200 VOLT - 3 PHASE
25986E003	3RH30M2-23	25986E603	3RHX30M2-23	3 H.P. - 230 VOLT - 3 PHASE
25986E004	3RH30M2-43	25986E604	3RHX30M2-43	3 H.P. - 460 VOLT - 3 PHASE
25986E005	3RH30M2-53	25986E605	3RHX30M2-53	3 H.P. - 575 VOLT - 3 PHASE
25986E010	3RH50M2-01	25986E610	3RHX50M2-01	5 H.P. - 200 VOLT - 1 PHASE
25986E011	3RH50M2-21	25986E611	3RHX50M2-21	5 H.P. - 230 VOLT - 1 PHASE
25986E012	3RH50M2-03	25986E612	3RHX50M2-03	5 H.P. - 200 VOLT - 3 PHASE
25986E013	3RH50M2-23	25986E613	3RHX50M2-23	5 H.P. - 230 VOLT - 3 PHASE
25986E014	3RH50M2-43	25986E614	3RHX50M2-43	5 H.P. - 460 VOLT - 3 PHASE
25986E015	3RH50M2-53	25986E615	3RHX50M2-53	5 H.P. - 575 VOLT - 3 PHASE
25986E022	3RH75M2-03	25986E622	3RHX75M2-03	7-1/2 H.P. - 200 VOLT - 3 PHASE
25986E023	3RH75M2-23	25986E623	3RHX75M2-23	7-1/2 H.P. - 230 VOLT - 3 PHASE
25986E024	3RH75M2-43	25986E624	3RHX75M2-43	7-1/2 H.P. - 460 VOLT - 3 PHASE
25986E025	3RH75M2-53	25986E625	3RHX75M2-53	7-1/2 H.P. - 575 VOLT - 3 PHASE
25990E000	4RH75M2-03	25990E600	4RHX75M2-03	7-1/2 H.P. - 200 VOLT - 3 PHASE
25990E001	4RH75M2-23	25990E601	4RHX75M2-23	7-1/2 H.P. - 230 VOLT - 3 PHASE
25990E002	4RH75M2-43	25990E602	4RHX75M2-43	7-1/2 H.P. - 460 VOLT - 3 PHASE
25990E003	4RH75M2-53	25990E603	4RHX75M2-53	7-1/2 H.P. - 575 VOLT - 3 PHASE
25990E010	4RH100M2-03	25990E610	4RHX100M2-03	10 H.P. - 200 VOLT - 3 PHASE
25990E011	4RH100M2-23	25990E611	4RHX100M2-23	10 H.P. - 230 VOLT - 3 PHASE
25990E012	4RH100M2-43	25990E612	4RHX100M2-43	10 H.P. - 460 VOLT - 3 PHASE
25990E013	4RH100M2-53	25990E613	4RHX100M2-53	10 H.P. - 575 VOLT - 3 PHASE
25990E020	4RH150M2-03	25990E620	4RHX150M2-03	15 H.P. - 200 VOLT - 3 PHASE
25990E021	4RH150M2-23	25990E621	4RHX150M2-23	15 H.P. - 230 VOLT - 3 PHASE
25990E022	4RH150M2-43	25990E622	4RHX150M2-43	15 H.P. - 460 VOLT - 3 PHASE
25990E023	4RH150M2-53	25990E623	4RHX150M2-53	15 H.P. - 575 VOLT - 3 PHASE
25990E031	4RH200M2-03	25990E631	4RHX200M2-23	20 H.P. - 230 VOLT - 3 PHASE
25990E032	4RH200M2-43	25990E632	4RHX200M2-43	20 H.P. - 460 VOLT - 3 PHASE
25990E033	4RH200M2-53	25990E633	4RHX200M2-53	20 H.P. - 575 VOLT - 3 PHASE

## MOTOR INTERNAL CONNECTION DIAGRAMS

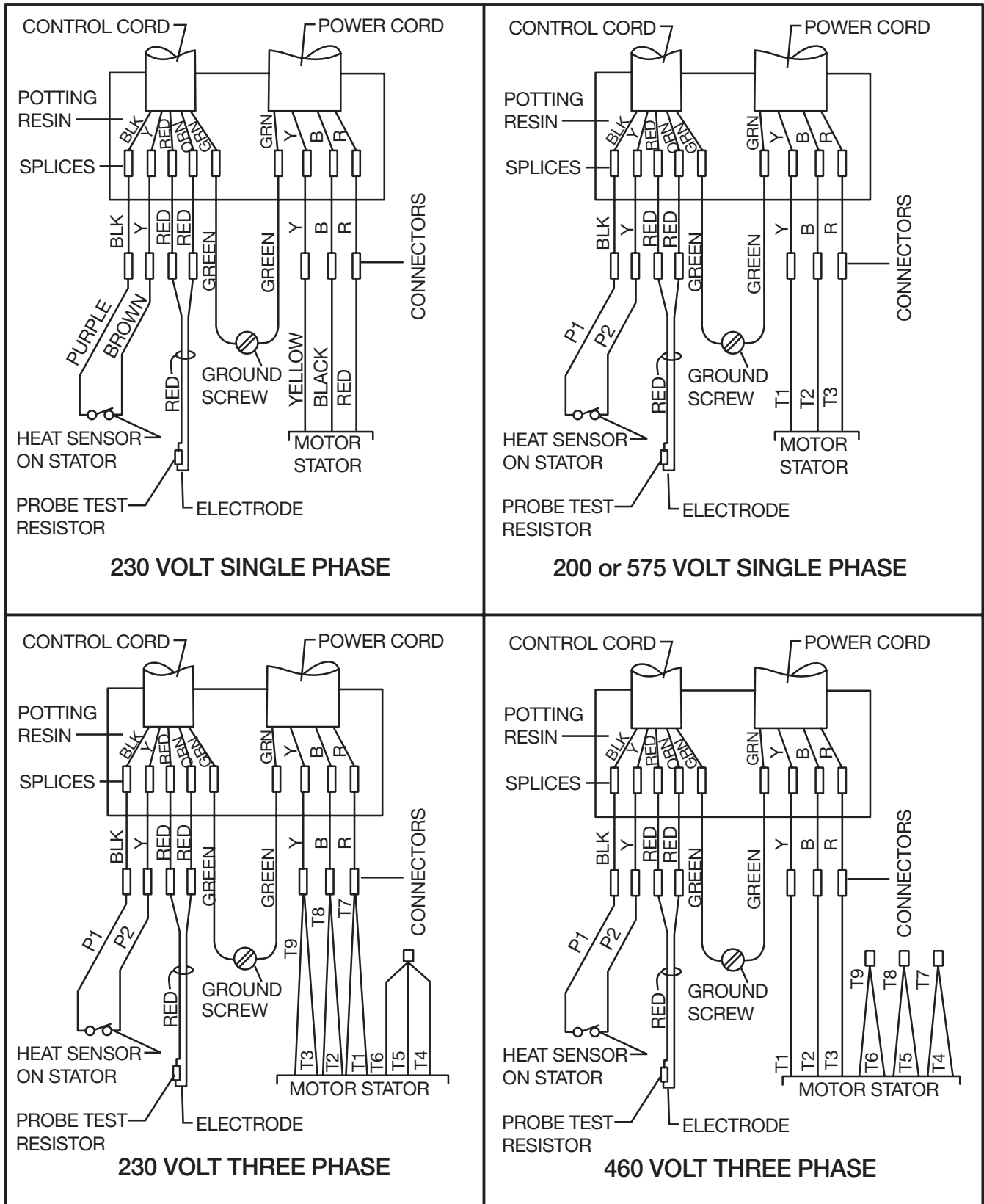
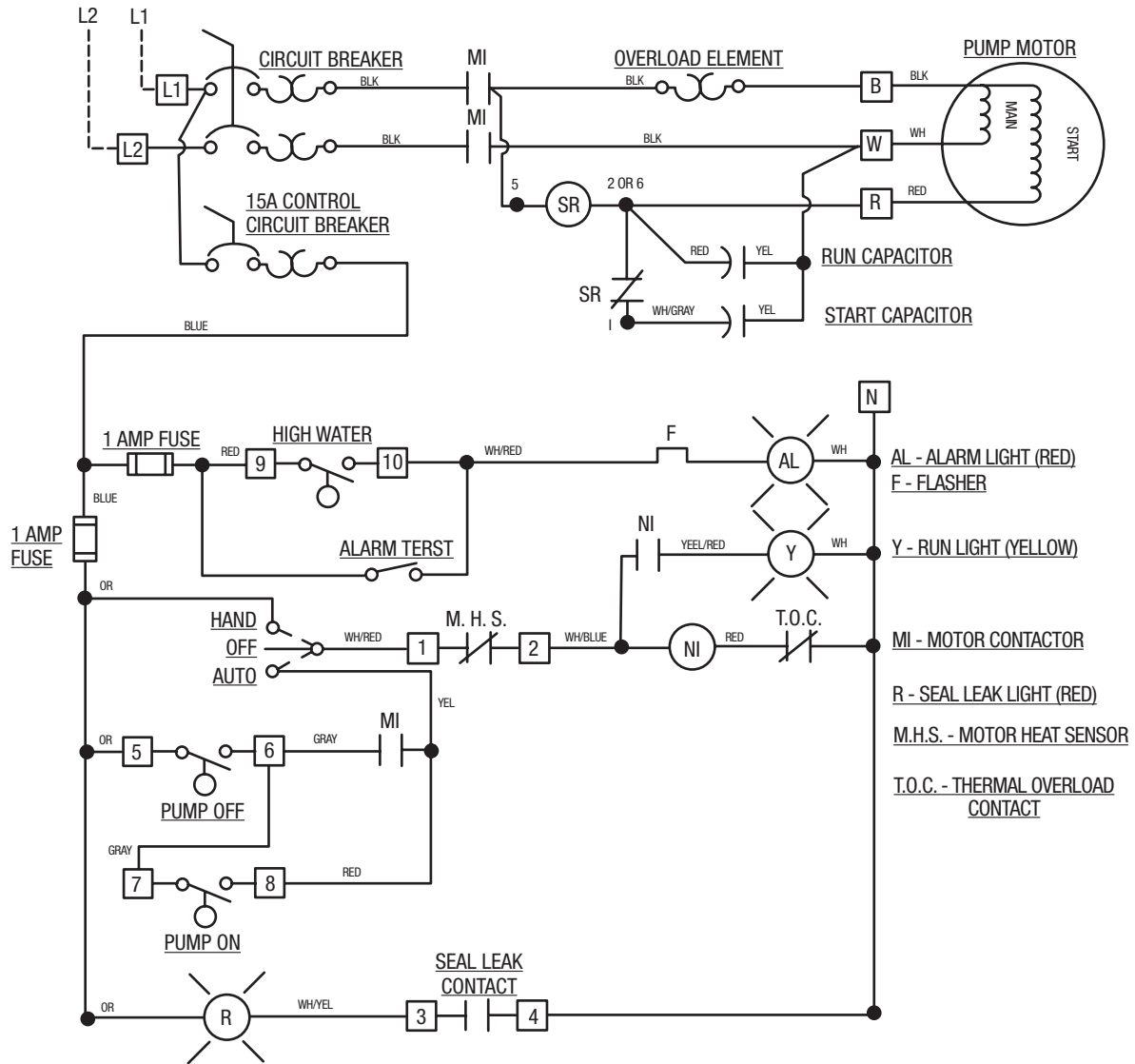


Fig. 2

# WIRING DIAGRAM: 230V, 1 PH, Simplex, 2.5 HP



NOTE: CONNECT ALL GREEN WIRES TO GROUND BAR

FLOAT CONTROLS MUST BE RATED FOR 2 AMPS AT 115 VOLTS

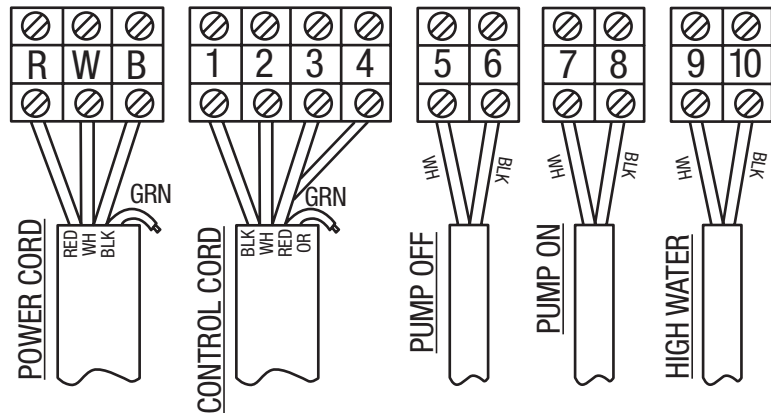
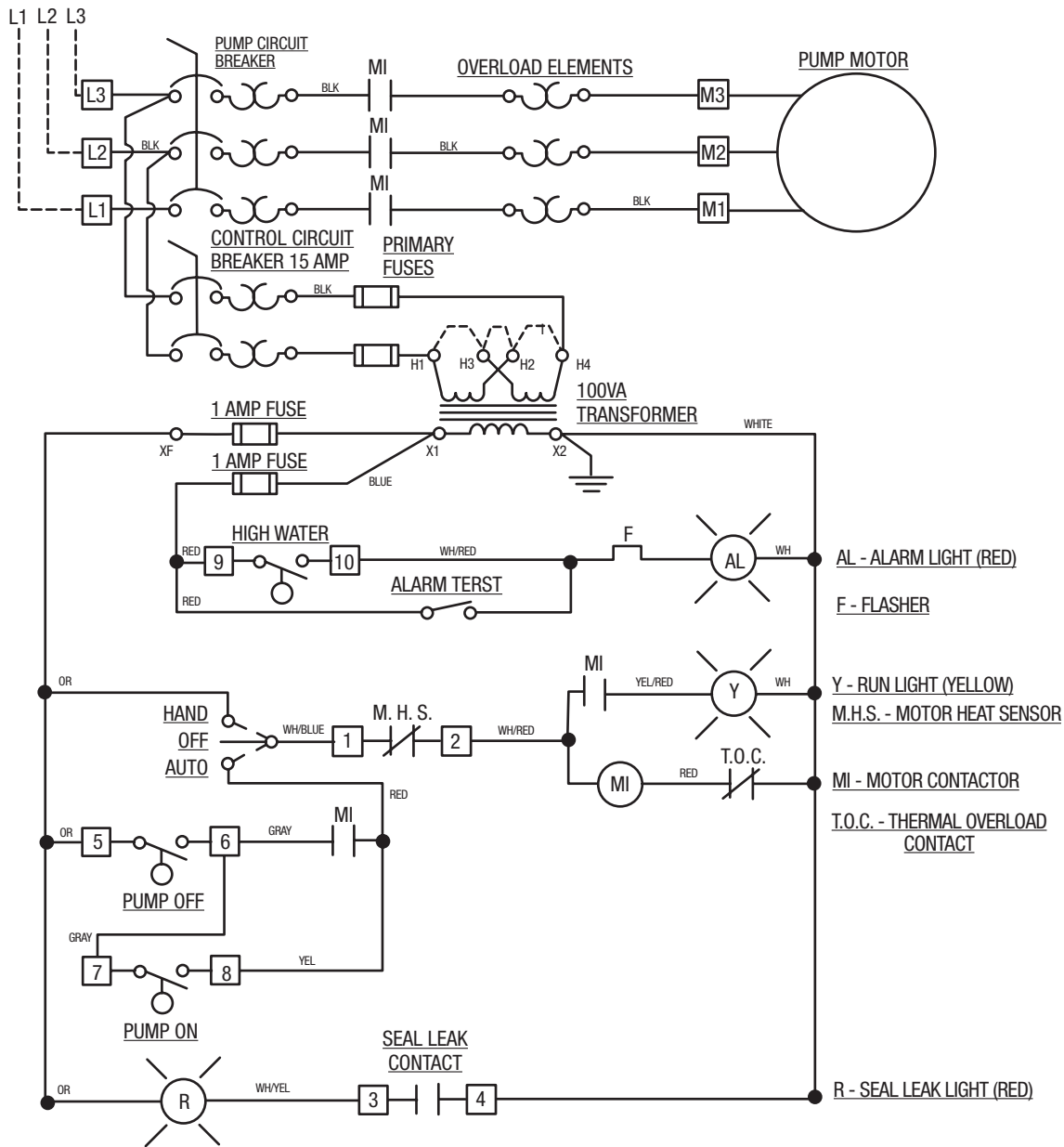


Fig. 3

# WIRING DIAGRAM: 208, 230 & 460V, 3 PH, Simplex, 1-7-1/2 HP



NOTE: CONNECT ALL GREEN WIRES TO GROUND BAR

FLOAT CONTROLS MUST BE RATED FOR 2 AMPS AT 115 VOLTS

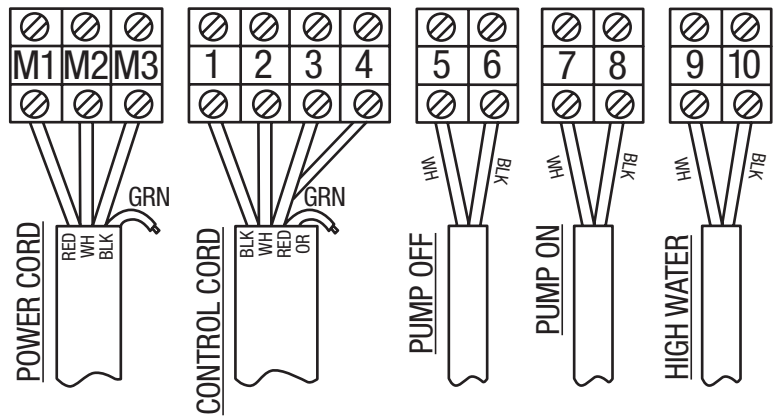


Fig. 4

## CHECK LIST IF PUMP DOES NOT OPERATE PROPERLY

**Checking for Moisture in Motor:** Use an ohmmeter and set on highest scale. Readings on the large power cord between any of the conductors red, black or white to green conductor or to the motor housing should be greater than 1,000,000 ohms (1 megaohm). A motor probably will run with a lower reading, but if the pump is out of service and the value of the reading is below 1,000,000 ohms (1 megaohm), the motor housing and stator should be removed and baked in a drying oven at 220°F. This service work should only be done at an authorized service station. Note, readings should be taken with line leads disconnected from the control panel.

### RESISTANCE OF WINDINGS

Every motor winding has a fixed resistance. The windings must check close to the values given in the tables to operate properly. Verification of the proper wiring of a dual voltage motor can also be checked by measuring the motor winding resistance. See the motor electrical data chart. Use an ohmmeter and set to the one ohm scale. Read the resistance with the motor leads disconnected from the pump control panel.

## TROUBLE CHECK LIST

CONDITION	PROBABLE CAUSE
Red light comes on at control box.	This indicates some water has leaked past the lower seal and has entered the seal chamber and made contact with the electrode probe. Pump must be removed for replacement of lower seal. This preventative repair will save an expensive motor.
Overload trips at control box and alarm buzzer or flashing red light comes on due to high water level in basin.	<ol style="list-style-type: none"> <li>1. Push in on red reset button to reset overload. If overload trips again after short run, pump has some damage and must be removed from basin for checking.</li> <li>2. Trouble may be from clogged impeller causing motor to overload or could be from failed motor.</li> <li>3. Trouble may be from faulty component in control box. Always check control box before removing pump.</li> </ol>
Yellow run light stays on continuously.	<ol style="list-style-type: none"> <li>1. Indicates H-O-A switch may be in the hand position.</li> <li>2. Level control switch may have failed causing pump to continue to operate when water is below lower control.</li> <li>3. Impeller may be partially clogged causing pump to operate at much reduced capacity.</li> <li>4. Gate valve or check valve may be clogged causing low pump flow.</li> <li>5. Pump may be air logged.</li> </ol>

## TROUBLE CHECK LIST (Cont'd)

CONDITION	PROBABLE CAUSE
Circuit breaker trips	<ol style="list-style-type: none"> <li>1. Reset breaker by pushing completely down on handle then back to on position. If breaker trips again in few seconds it indicates excessive load probably caused by a short in the motor or control box. Check out instructions given with control box before pulling pump.</li> <li>2. If this condition happens after an electrical storm, motor or control box may be damaged by lightning.</li> <li>3. Resistance reading of the motor with lead wires disconnected from the control box can determine if trouble is in motor or control box.</li> </ol>
Pump is noisy and pump rate is low	<ol style="list-style-type: none"> <li>1. Impeller may be partially clogged with some foreign objects causing noise and overload on the motor.</li> <li>2. Check for proper pump rotation (3-phase only).</li> </ol>
Grease and solids have accumulated around pump and will not pump out of basin.	<ol style="list-style-type: none"> <li>1. Lower control switch may be set too high.</li> <li>2. Run pump on hand operation for several minutes with small amount of water running into basin to clean out solids and grease. This allows pump to break suction and surge which will break up the solids. If level switch is set properly this condition generally will not occur.</li> <li>3. Trash and grease may have accumulated around floats causing pump to operate erratically.</li> </ol>

**IMPORTANT** - Pump should be thoroughly cleaned of trash and deposits before starting disassembly operations.

**CAUTION - DISCONNECT ALL POWER AND CONTROL WIRES TO MOTOR AT CONTROL PANEL BEFORE STARTING DISASSEMBLY OPERATIONS. NEVER RELY ON OPENING CIRCUIT BREAKER ONLY.**

CAP SCREW	TORQUE VALUE
3/8-16	20 ft.-lbs.
1/2-13	43 ft. lbs.
5/8-11	93 ft. lbs.
3/4-10	128 ft. lbs.
7/8-14	193 ft. lbs.

Available Models		Motor Electrical Data														
Standard	Hazardous Location	HP	Volts	Phase	Start Amps	Run Amps	Service Factor Amps	Run KW	Service Factor KW	Start KVA	Run KVA	NEC CODE LETTER	Service Factor	Motor Resistance		
														B/W	B/R	R/W
3RH30M2-01	3RH30M2-01	3	200	1	135.0	17.9	23.0	3.5	4.6	27.0	3.6	L	1.20	.76	5.15	5.91
3RH30M2-21	3RH30M2-21	3	230	1	75.0	15.6	20.7	3.5	4.6	17.3	3.6	G	1.20	.76	5.15	5.91
3RH30M2-03	3RH30M2-03	3	200	3	66.0	9.9	13.3	3.2	4.3	22.9	2.3	J	1.20		1.48	
3RH30M2-23	3RH30M2-23	3	230	3	56.6	8.6	11.5	3.2	4.3	22.5	2.3	J	1.20		.98	
3RH30M2-43	3RH30M2-43	3	460	3	28.3	4.3	5.8	3.2	4.3	22.5	2.3	J	1.20		3.90	
3RH30M2-53	3RH30M2-53	3	575	3	23.0	3.5	4.6	3.2	4.3	22.9	2.4	J	1.20		11.40	
3RH50M2-01	3RH50M2-01	5	200	1	135.0	29.3	33.4	5.2	5.8	27.0	5.9	F	1.20	.47	3.14	3.61
3RH50M2-21	3RH50M2-21	5	230	1	117.0	25.5	29.0	5.2	5.8	26.9	5.9	F	1.20	.47	3.14	3.61
3RH50M2-03	3RH50M2-03	5	200	3	82.0	17.0	19.1	5.2	5.9	28.4	4.0	G	1.20		.72	
3RH50M2-23	3RH50M2-23	5	230	3	77.0	14.8	16.6	5.2	5.9	30.7	4.0	G	1.20		.72	
3RH50M2-43	3RH50M2-43	5	460	3	38.5	7.4	8.3	5.2	5.9	30.7	4.0	G	1.20		2.90	
3RH50M2-53	3RH50M2-53	5	575	3	34.0	5.9	6.6	5.2	5.9	33.9	4.0	G	1.20		6.50	
3RH75M2-03	3RH75M2-03	7.5	200	3	211.0	23.6	31.1	7.4	9.7	73.1	5.5	L	1.31		.44	
3RH75M2-23	3RH75M2-23	7.5	230	3	172.0	20.5	27.0	7.4	9.7	68.5	5.5	L	1.31		.56	
3RH75M2-43	3RH75M2-43	7.5	460	3	86.0	10.3	13.5	7.4	9.7	68.5	5.5	L	1.31		2.23	
3RH75M2-53	3RH75M2-53	7.5	575	3	71.4	8.2	10.8	7.4	9.7	71.1	5.5	L	1.31		3.75	

Motor Efficiencies and Power Factor									
Motor Efficiency %					Power Factor %				
HP	Phase	Service Factor Load	100% Load	75% Load	50% Load	Service Factor Load	100% Load	75% Load	50% Load
3	1	65.0	65.2	60.0	51.7	95	96	97	96
3	3	66.8	69.3	68.9	58.4	94	94	91	86
5	1	77.5	71.5	69.5	62.8	86	92	95	95
5	3	75.5	71.6	67.4	61.6	89	90	87	83
7.5	3	75.2	76.0	74.7	69.4	91	90	88	83

Available Models		Motor Electrical Data												
Standard	Hazardous Location	HP	Volts	Phase	Hz	Start Amps	Run Amps	Service Factor Amps	Run KW	Service Factor KW	Start KVA	Run KVA	NEC CODE LETTER	Service Factor
4RH75M2-03	4RH75M2-03	7.5	200	3	60	128.6	27.0	30.5	8.1	9.5	44.5	6.3	G	1.2
4RH75M2-23	4RH75M2-23	7.5	230	3	60	111.8	23.5	26.5	8.1	9.5	44.5	6.3	G	1.2
4RH75M2-43	4RH75M2-43	7.5	460	3	60	55.9	11.8	13.5	8.1	9.5	44.5	6.4	G	1.2
4RH75M2-53	4RH75M2-53	7.5	575	3	60	44.7	9.4	10.6	8.1	9.5	44.5	6.3	G	1.2
4RH100M2-03	4RH100M2-03	10	200	3	60	192.7	33.9	39.7	10.2	11.9	66.8	7.9	H	1.2
4RH100M2-23	4RH100M2-23	10	230	3	60	167.6	29.5	34.5	10.2	11.9	66.8	7.9	H	1.2
4RH100M2-43	4RH100M2-43	10	460	3	60	83.8	14.8	17.3	10.2	11.9	66.8	8.0	H	1.2
4RH100M2-53	4RH100M2-53	10	575	3	60	67.0	11.8	13.8	10.2	11.9	66.8	7.9	H	1.2
4RH150M2-03	4RH150M2-03	15	200	3	60	256.2	50.4	60.3	14.7	17.6	88.7	11.8	G	1.2
4RH150M2-23	4RH150M2-23	15	230	3	60	222.8	43.8	52.4	14.7	17.6	88.8	11.8	G	1.2
4RH150M2-43	4RH150M2-43	15	460	3	60	111.4	21.9	26.2	14.7	17.6	88.8	11.8	G	1.2
4RH150M2-53	4RH150M2-53	15	575	3	60	89.1	17.5	21.0	14.7	17.6	88.7	11.8	G	1.2
4RH200M2-23	4RH200M2-23	20	230	3	60	222.8	59.5	59.5	19.7	19.7	88.8	16.0	D	1.0
4RH200M2-43	4RH200M2-43	20	460	3	60	111.4	29.8	29.8	19.7	19.7	88.8	16.0	D	1.0
4RH200M2-53	4RH200M2-53	20	575	3	60	89.1	23.8	23.8	19.7	19.7	88.7	16.0	D	1.0

Motor Efficiencies and Power Factor									
Motor Efficiency %					Power Factor %				
HP	Phase	Service Factor Load	100% Load	75% Load	50% Load	Service Factor Load	100% Load	75% Load	50% Load
7.5	3	70.8	69.5	65.2	58.8	89	89	87	83
10	3	74.9	73.6	71.7	64.9	87	85	82	76
15	3	75.9	75.8	73.9	69.0	85	83	78	70
20	3	75.4	75.4	75.8	72.9	85	85	83	76

# STANDARD LIMITED WARRANTY

Myers warrants its products against defects in material and workmanship for a period of 12 months from the date of shipment from Myers or 18 months from the manufacturing date, whichever occurs first - provided that such products are used in compliance with the requirements of the Myers catalog and technical manuals for use in pumping raw sewage, municipal wastewater or similar, abrasive free non-corrosive liquids.

During the warranty period and subject to the conditions set forth, Myers, at its discretion, will repair or replace to the original user, the parts which prove defective in materials and workmanship. Myers reserves the right to change or improve its products or any portions thereof without being obligated to provide such a change or improvement for prior sold and/or shipped units.

Start-up reports and electrical schematics may be required to support warranty claims. Submit at the time of start up through the Myers website: <http://forms.pentairliterature.com/startupform/startupform.asp?type=m>. Warranty is effective only if Myers authorized control panels are used. All seal fail and heat sensing devices must be hooked up, functional and monitored or this warranty will be void. Myers will only cover the lower seal and labor thereof for all dual seal pumps. Under no circumstance will Myers be responsible for the cost of field labor, travel expenses, rented equipment, removal/reinstallation costs or freight expenses to and from the factory or an authorized Myers service facility.

This limited warranty will not apply: (a) to defects or malfunctions resulting from failure to properly install, operate or maintain the unit in accordance with the printed instructions provided; (b) to failures resulting from abuse, accident or negligence; (c) to normal maintenance services and parts used in connection with such service; (d) to units which are not installed in accordance with applicable local codes, ordinances and good trade practices; (e) if the unit is moved from its original installation location; (f) if unit is used for purposes other than for what it is designed and manufactured; (g) to any unit which has been repaired or altered by anyone other than Myers or an authorized Myers service provider; (h) to any unit which has been repaired using non factory specified/OEM parts.

**Warranty Exclusions:** MYERS MAKES NO EXPRESS OR IMPLIED WARRANTIES WHICH EXTEND BEYOND THE DESCRIPTION ON THE FACE HEREOF. MYERS SPECIFICALLY DISCLAIMS THE IMPLIED WARRANTIES OF MERCHANTABILITY AND FITNESS FOR ANY PARTICULAR PURPOSE.

**Liability Limitation:** IN NO EVENT SHALL MYERS BE LIABLE OR RESPONSIBLE FOR CONSEQUENTIAL, INCIDENTAL OR SPECIAL DAMAGES RESULTING FROM OR RELATED IN ANY MANNER TO ANY MYERS PRODUCT OR PARTS THEREOF. PERSONAL INJURY AND/OR PROPERTY DAMAGE MAY RESULT FROM IMPROPER INSTALLATION. MYERS DISCLAIMS ALL LIABILITY, INCLUDING LIABILITY UNDER THIS WARRANTY, FOR IMPROPER INSTALLATION. MYERS RECOMMENDS INSTALLATION BY PROFESSIONALS.

Some states do not permit some or all of the above warranty limitations or the exclusion or limitation of incidental or consequential damages and therefore such limitations may not apply to you. No warranties or representations at any time made by any representatives of Myers shall vary or expand the provision hereof.



1101 Myers Parkway  
Ashland, Ohio 44805-1969  
419-289-1144  
[www.femyers.com](http://www.femyers.com)