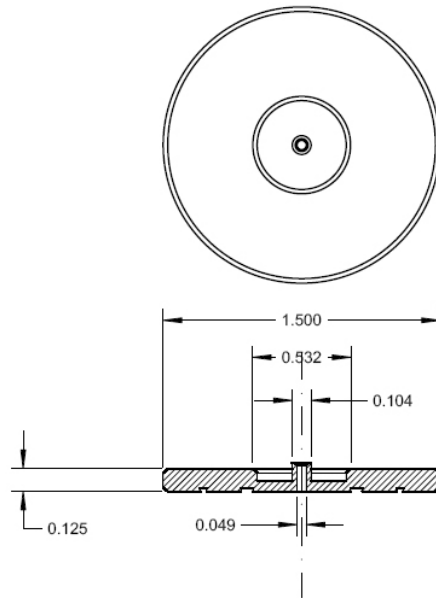
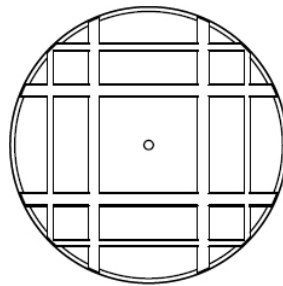


FIS LC/MU POLISH PUCK



F1-6930UN



Bottom View

SPECIFICATIONS

Materials 303 Stainless Steel

Typical Ferrule Protrusion .020

All dimensions in inches.