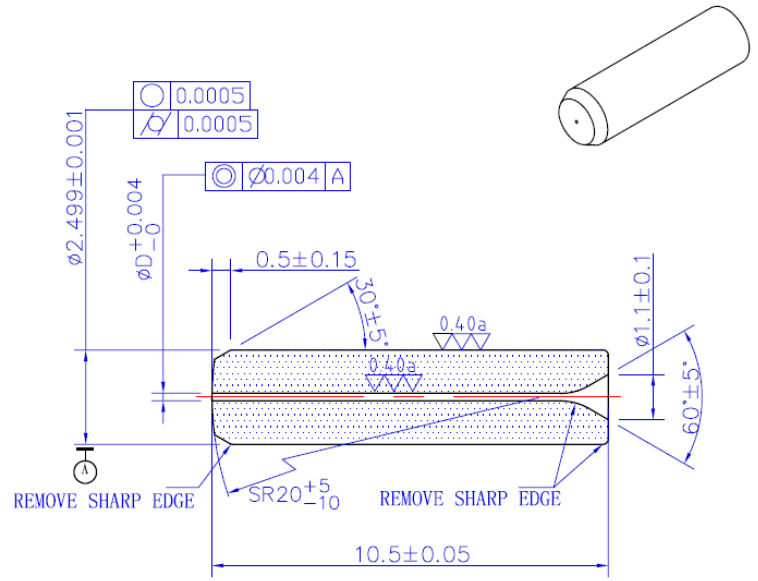


Part #: F1-SM126-25



Part #: F1-TSMM127-25

FIS offers a variety of 2.5mm Zirconia and Stainless Alloy fiber optic ferrules for multimode and singlemode applications. Zirconia fiber optic ferrules have a standard PC radius. Stainless Alloy fiber optic ferrules are suitable for many laboratory or other specialty applications.

SPECIFICATIONS

Ferrule

Zirconia

ORDERING INFORMATION

F1-SM126-25

25 Pack 126µm Zirconia SM Ferrule

F1-TSMM127-25

25 Pack 127µm Zirconia MM Ferrule