

MODULAR WALL MOUNT CPRI INTERFACE PANEL



FEATURES

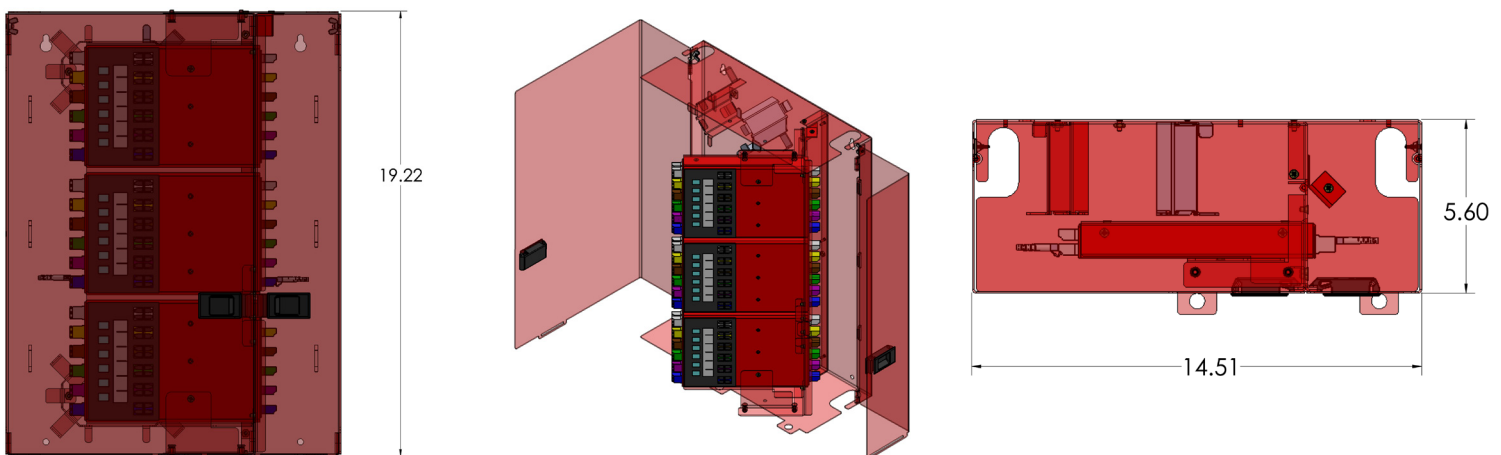
- Up to (54) LC/UPC, SM, Duplex Adapters, Color Coded
- Up to (18) Non-Service Affecting Ports for Active CPRI Links
- Active CPRI Link and Test Access Bays are Lockable
- CPRI Modules are Removable and C-RAN Ready
- Integrated Cable Management
- Manufactured in the USA

**Part Number Shown:
F1WM-VZW-18CPRI**

The Modular Wall Mount CPRI Interface Panel provides test access for up to (18) active CPRI links when loaded with (3) Mini CPRI Interface Modules. Cable management brackets are built into the left bay and provide routing and storage for incoming cable. During the initial installation, the module's mounting platform unlocks and pivots out from the left bay. This mechanism provides unrestricted access to the live fiber ports and cable management brackets. Both doors are also removable to increase working space.

After completing the installation of fibers, access the CPRI data stream from non-service affecting ports located in the right bay. Color coded mating sleeves and a corresponding 'pin out' decal indicate where to install fibers from the Remote Radio Head (RRH) and Baseband (BBU) equipment. Uplink and downlink monitor ports are also mapped out on each module and indicate where to connect CPRI protocol analyzers during testing. Each door can be individually secured with a padlock to restrict access when not in use.

TECH DRAWING



SPECIFICATIONS

Dimensions	19.22" L x 14.51" W x 5.50" H	
Weight	Wall Mount with 3 Modules: 10.3 lbs	
Material	.064" Aluminum	
Coating	Electro Statically Applied Red Powder Coat	
Connector Style	Module (Each):	LC/UPC Duplex LC Bulkheads; Qty 18; Color Coded (Blue, Violet, Green, Brown, Yellow, White)
Module Couplers	1x2; 50:50 Split; 9/125um; QTY 12 Per Module Tx Directional: 3.8dB Typical Loss, CWDM Compatible	
Operating and Storage Temperature	-40 ~ +85 Celsius	
Operating and Storage Humidity	5 ~ 95 %RH	
Power Requirements	Passive Module, No Power Required	

ORDERING INFORMATION

F1WM-VZW-0CPRI	Wall Mount CPRI Panel, No Modules, Cable MGMT
F1WM-VZW-6CPRI	Wall Mount CPRI Panel, (1) Modules, Cable MGMT
F1WM-VZW-12CPRI	Wall Mount CPRI Panel, (2) Modules, Cable MGMT
F1WM-VZW-18CPRI	Wall Mount CPRI Panel, (3) Modules, Cable MGMT