

## MC2 Series 3G/HD/SDI Video BNC- ST Media Converters

MC2 Video Media Converter modules offer extended distance over single-mode fiber for high-speed serial digital video links for multi-protocol 3G/HD/SD/ DVB/ASI video applications with data transfer rates up to 2.97Gbps



MC2 Series Transmitter and Receiver

### Key Features

- SMPTE 424M Compliant ( up to 2.97Gbps)
- SMPTE 297M Optical Interface Compliant
- SMPTE 292M Compliant (Up to 1.485Gbps)
- SMPTE 259M/297M/305M Compatible (Up to 540 Mbps)
- DVB/ASI Compatible
- ATSC/SMPTE 310M Compatible (19.4 to 38.8 Mbps)
- Error Free Uncompressed SDI Pathological Pattern Operation
- +4.5 to 24 VDC Operating Voltage Range
- Power Supply Sold Separately or Included in Kit models
- RoHS-6 Compliant
- Rugged Construction
- Easy to Understand OLED Displays Simple, Real Time Operating Parameters and Diagnostics
- Status LED
- 75ohm BNC Plug Electrical Interface
- Line Equalizer on TX
- Cable Driver on RX
- ST Physical Contact Optical Interface
- +4.5 to 24 VDC Input Voltage
- TX Power Dissipation: 1.75 W
- RX Power Dissipation: 1.4 W
- 0°C to +70°C Operating Case Temperature




| ORDERING INFORMATION   |     |     |           | Receiver Part Number   |                              | Shipping Dimensions and Weight (each)                                  |
|--|-----|-----|-----------|--|------------------------------|--|
|                           |     |     |           | MC2-R-P-2-F1<br>3G/HD/SD PIN Pre-Amp<br>1260-1620nm Receiver |                              |  |
|  |     |     |           | Transmitter & Kit Part Numbers                               | Optical Transmit Power (dBm) |  |
| Min  | Typ | Max | Min / Max |  | Min / Typ                    |  |
| <b>MC2-T-P-2-F1</b><br>3G/HD/SD 1310nm FP Laser Transmitter  | -9  | -5  | -3        | -18.5 / +0   | 10 / 25 km 6 / 15 mi         | 16.25 x 11.25 x 4.25 inch<br>41 x 29 x 11 cm<br><br>1.1 lb      477 g  |
| <b>MC2-K-P-2-F1</b><br>Kit: MC2-T-P-2-F1 Transmitter, MC2-R-P-2-F1 Receiver and two VMDA-PS-5 Power Supplies | -9  | -5  | -3        | -18.5 / +0   | 10 / 25 km 6 / 15 mi         | 16.25 x 11.25 x 4.25 inch<br>41 x 29 x 11 cm<br><br>3.1 lb      1.4 kg |

Chart Abbreviations: Max = Maximum, Min = Minimum (worst case), Typ = Typical.

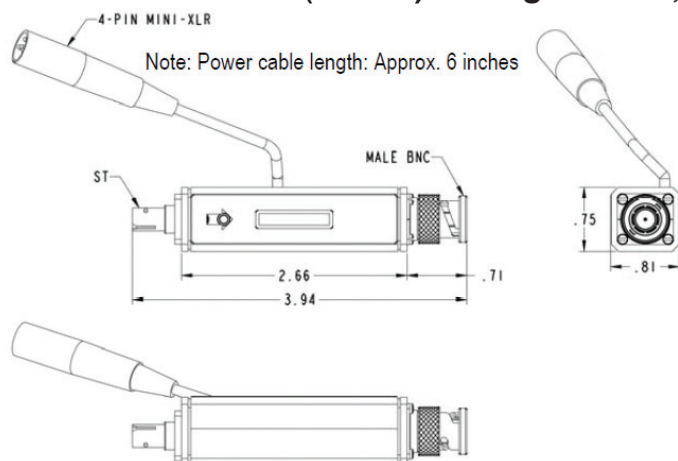


Use with wall power supply (Sold separately. Included with Kits.)

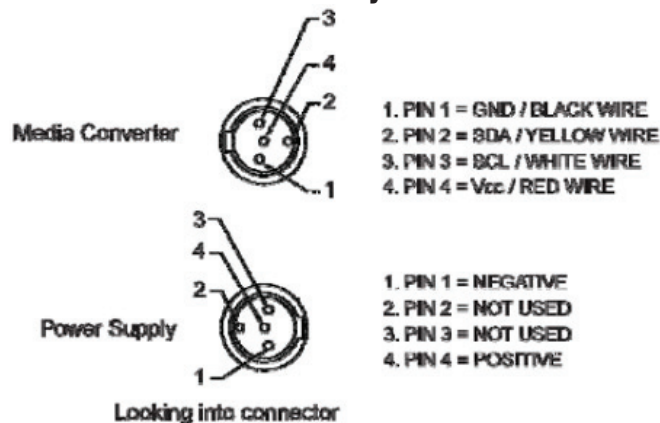
|  |               |                         |                |  |  |
|---|---------------|-------------------------|----------------|--|--|
| Part Number   | Input Voltage | Output Voltage          | Output Current | Connector Type   | Power Supply Plug Type                                     |
| VMDA-PS-5<br>(Power Supply sold separately.)                                      | 100V to 240V  | 5V                      | 3.2A           | 4-Pin Mini-XLR Female  | Interchangeable plugs for Australia, Europe, U.K. and U.S. |
| <b>Shipping Dimensions</b>  |               | 16.25 x 11.25 x 4.25 in |                | 41 x 29 x 11 cm  |  |
| <b>Shipping Weight</b>  |               | 1.3 lb                  |                | 568 g  |  |

## MC2 Series 3G/HD/SDI Video BNC- ST Media Converters

Mechanical Dimensions (Inches) Weight 0.16lb, 70g



Power Connector Pin Layouts



### Status Indicator Lights

| TX LED Indicator |                  |
|------------------|------------------|
| Status           | Condition        |
| Green            | Normal Operation |
| Red              | Transmit Fault   |
| Blinking Red     | DDMI Alarm       |
| Blinking Orange  | DDMI Warning     |

| RX LED Indicator |                                   |
|------------------|-----------------------------------|
| Status           | Condition                         |
| Green            | Normal Operation                  |
| Red              | Optical Input Signal Out of Range |
| Blinking Red     | DDMI Alarm                        |
| Blinking Orange  | DDMI Warning                      |

### MC2 OLED Display DDMI Diagnostics, Alarms and Warnings

| TX DISPLAY                  |                              |
|-----------------------------|------------------------------|
| Diagnostic                  | Alarms & Warnings            |
| Optical Output Power (dBm)* | Low or High Optical Power    |
| Temperature (°C)            | Low or High Temperature      |
| Voltage (VDC)               | Low or High Voltage          |
| -                           | Low or High Transmitter Bias |

| RX DISPLAY                 |                           |
|----------------------------|---------------------------|
| Diagnostic                 | Alarms & Warnings         |
| Optical Output Power (dBm) | Low or High Optical Power |
| Temperature (°C)           | Low or High Temperature   |
| Voltage (VDC)              | Low or High Voltage       |

\*Transmitter optical output power is most accurate with input signal applied.

