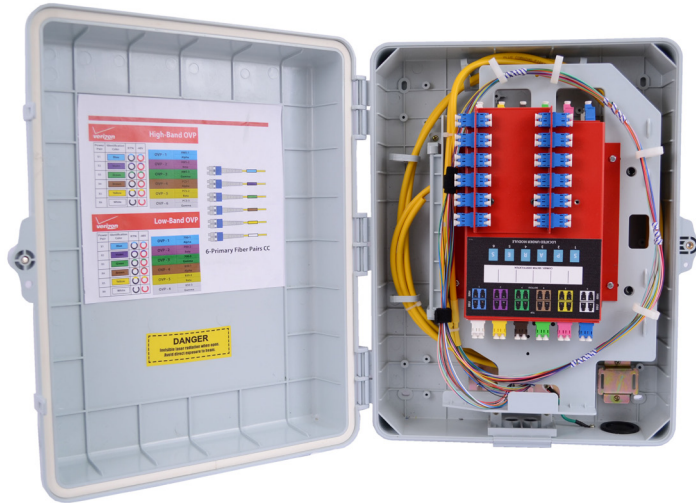


OSP CPRI INTERFACE PANEL

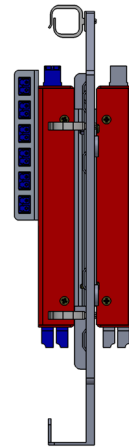
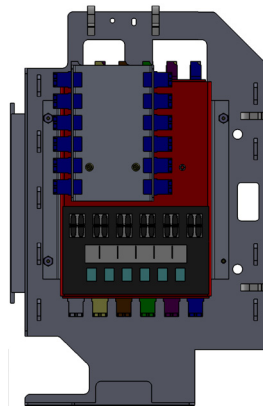
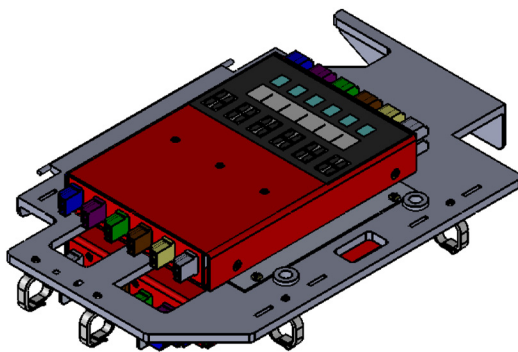


FEATURES

- Up to (36) LC/UPC, SM, Duplex Adapters, Color Coded
- Up to (12) Non-Service Affecting Monitor Ports for Active CPRI Links
- Access to Ports Restricted via Padlock (Optional)
- Integrated Cable Management
- IP65 Rated and UV Resistant
- Wall or Pole Mountable

The Outside Plant CPRI Interface Panel is ideal for outdoor access to non-service affecting monitor ports. It provides test access for up to (12) active CPRI links when loaded with (2) Mini CPRI Interface Modules. Access to the monitor ports does not require entrance into the OVP, which reduces the chance of accidental damage and exposure to critical network components. The CPRI link monitor ports on each module are easily identified and are pre-loaded with optical terminators to mitigate harmful back reflections in the network.

The Mini CPRI Modules are secured to a center panel that pivots outwards, allowing unrestricted access during fiber installation and CPRI link monitoring. Cable retention rings and a trunk cable clamp provide fiber management for incoming cables. The UV resistant polycarbonate enclosure is IP65 rated and also features a built in grounding plate to protect copper and fiber hybrid cables.



SPECIFICATIONS

| | |
|--|--|
| Dimensions | 13.4"W x 5.2"D x 16.6"H |
| Weights | Enclosure with 2 modules: 5.0 Lbs |
| Materials | Enclosure: Polycarbonate CPRI Modules: .064" Aluminum |
| Coatings | CPRI Modules: Electro Statically Applied Powder Coat |
| Connector Style | Module (Each): LC/UPC Duplex LC Bulkheads; QTY 18; Color Coded (Blue, Violet, Green, Brown, Yellow, White) |
| Module Couplers | 1x2; 50/50 Split; 9/125um; QTY 12 Per Module Tx Directional: 3.8dB Typical Loss, CWDM Compatible |
| Operating and Storage Temperature | -40 ~ +85 Celsius |
| Operating and Storage Humidity | 5 ~ 95 %RH |
| Power Requirements | Passive Module, No Power Required |