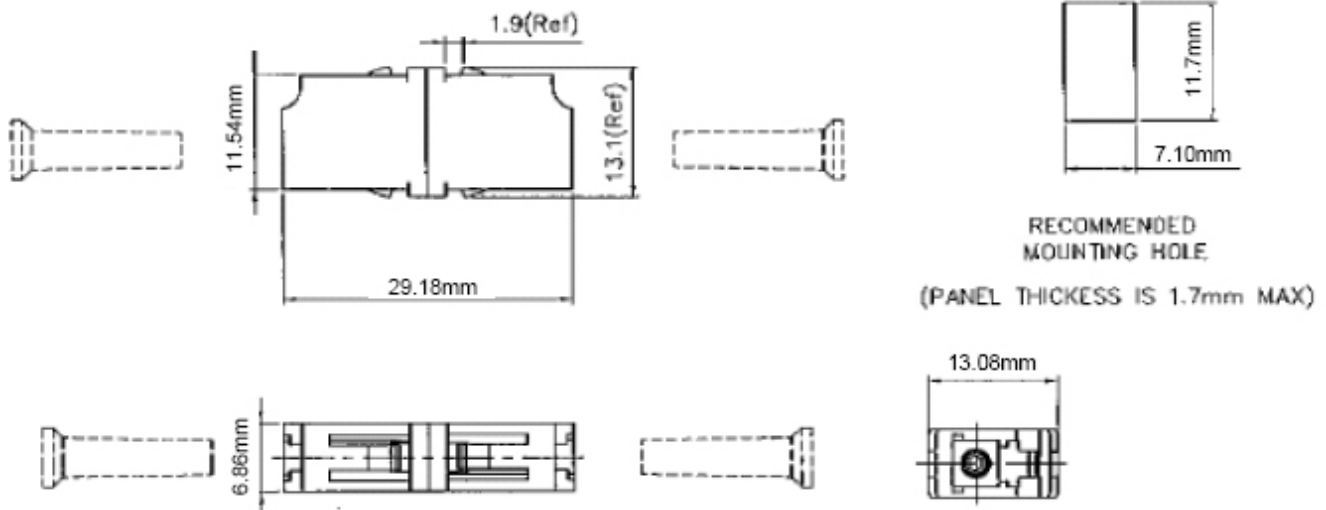


# FIS LC SIMPLEX MATING SLEEVES



## FEATURES

- Panel Mount Design
- Available in Singlemode or Multimode versions

## APPLICATIONS

- Telecommunications
- Local area network
- CATV Distribution Networks

## SPECIFICATIONS

Operating Temperature (°C)	-40°C to +70°C
Excess Loss	.1 dB or less Singlemode 15 dB or less Multimode

## MATERIALS

Split Sleeve	Singlemode	Ceramic
	Multimode	Bronze
Body (ABS Plastic)		
F1-8005	Blue	Singlemode
F1-800A	Beige	Multimode
F1-8008	Green	APC