

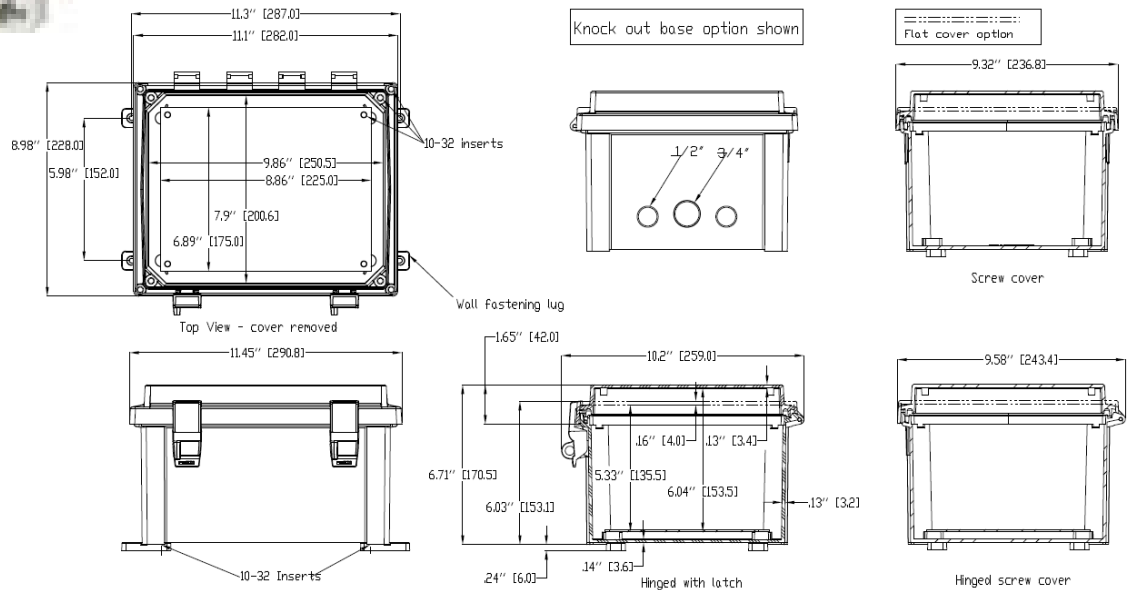
ARK1086CHSSLT

Product #: ARK1086CHSSLT
 Description: PC Enclosure
 Remarks: Hinged transparent cover w/S.S. Lockable latch. Base includes 1/2 & 3/4 inch knock-outs.

Package: 1
 Unit: PCS
 Product group:

EAN: 6418074096654
 ETIM: Enclosure/switchgear cabinet (empty)

Including: Hinged latch cover base with 10-32 brass inserts, cover with formed in place PUR gasket and 4 stainless cover screws. Enclosure mounting foot kit. Accessory 10-32 screws for panel mounting. Base includes 1/2 & 3/4 inch knock-outs.



Dimensions:	
Length (mm):	254
Width (mm):	203
Height (mm):	152
Length (inch):	10
Width (inch):	8
Height (inch):	6

Ratings:	
Ingress Protection (EN 60529):	IP66/67
Impact Resistance (EN 62262):	IK07/IK08
Electrical insulation:	Totally insulated
Halogen free (DIN/VDE 0472, Part 815):	1
UV resistance:	UL 508
Flammability Rating:	UL 508
Glow Wire Test (IEC 695-2-1) °C:	960
NEMA Class:	NEMA 4, 4X, 6, 6P, 12, 13

Materials:		Temperatures:	
Material:	Polycarbonate	Temperature °C (short term):	-40 ... 140 °C
Base colour:	RAL 7035 -light grey	Temperature °C (continuous):	-40 ... 80 °C
Cover screws material:	Stainless steel	Temperature °F (short term):	-40 ... 284 °F
Cover colour:	Transparent	Temperature °F (continuous):	-40 ... 175 °F
Gasket material:	Polyurethane		

