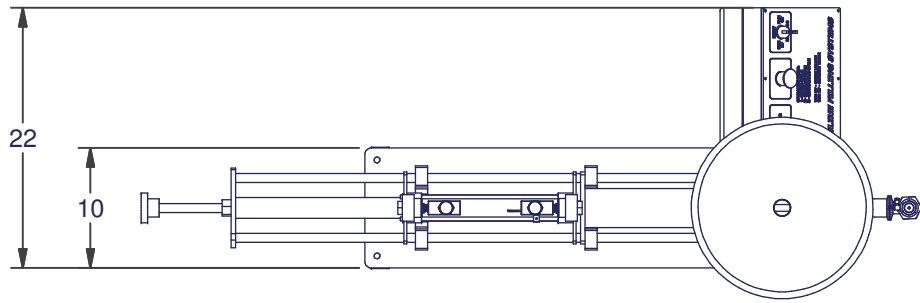


THIS DOCUMENT IS THE EXCLUSIVE PROPERTY OF INLINE FILLING SYSTEMS AND MAY NOT BE USED OR REPRODUCED, NOR ITS CONTENT OR PART THERE OF BE DISCUSSED TO OTHER BY ANY PERSON OR COMPANY WITHOUT THE WRITTEN CONSENT FROM INLINE FILLING SYSTEMS

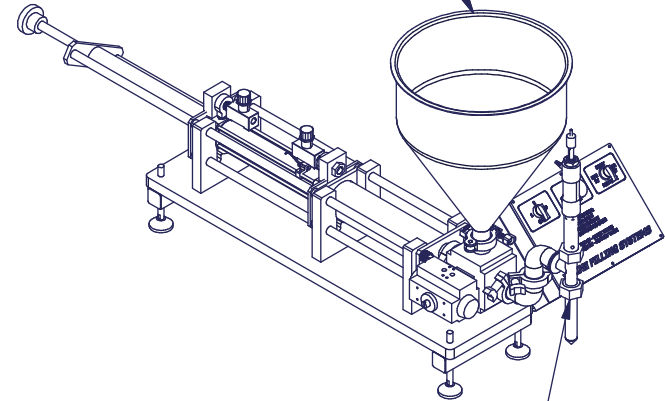
REVISION DESCRIPTION

DATE

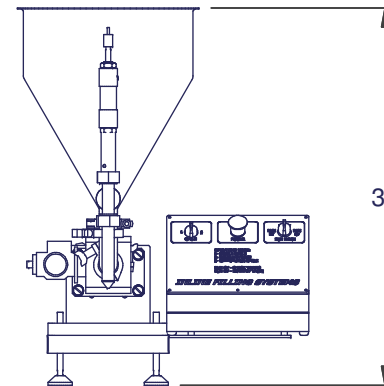
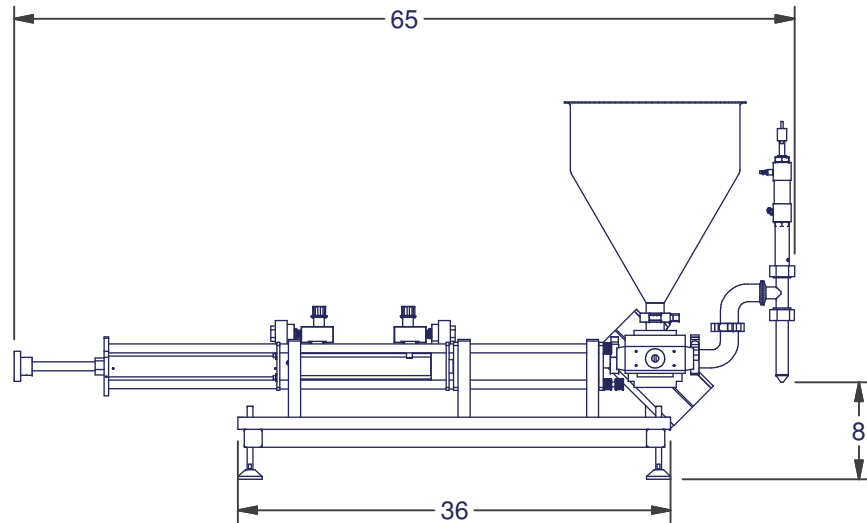
INIT



FP SEMI HOPPER LARGE



FPNOZZLE 1 EXTERNAL SHORT



DRAWN BY:  
km

DATE:  
4/24/2013

CHECKED BY:

MATERIAL:

MACHINE:

SHEET:  
1 OF 1

DECIMALS / DECIMAUX: .xx ± .01  
 DECIMALS / DECIMAUX: .xxx ± .005  
 FRACTIONS / FRACTIONS: ± 1/32  
 ANGULAR / ANGULAIRE: ± 0.5°  
 BREAK ALL SHARP EDGES /  
 BRISER TOUTES LES ARRETES

MAT'L TREATMENT:

MAT'L #:

**INLINE FILLING SYSTEMS**

216 S. SEABOARD AVE. TEL: (941) 486-8800  
 VENICE, FLORIDA FAX: (941) 486-0077  
 USA 34292 EMAIL: sales@fillers.com

TITLE:FP SEMI BASE MACHINE ROTARY

DWG NO: FP SEMI BASE MACHINE  
 ROTARY.iam

