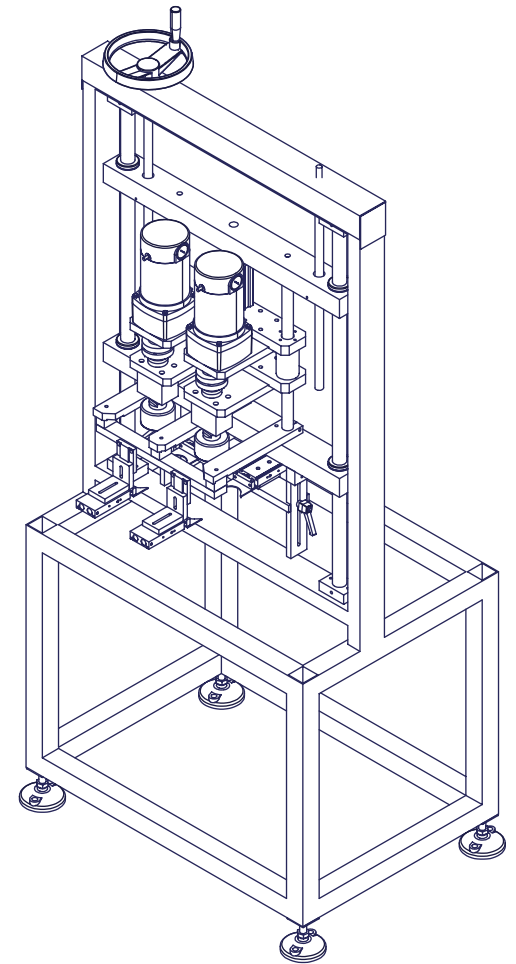
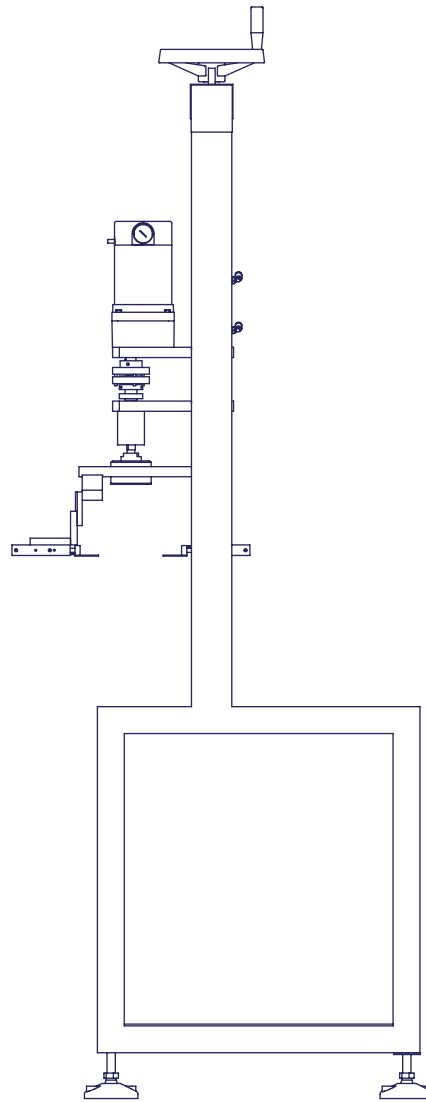
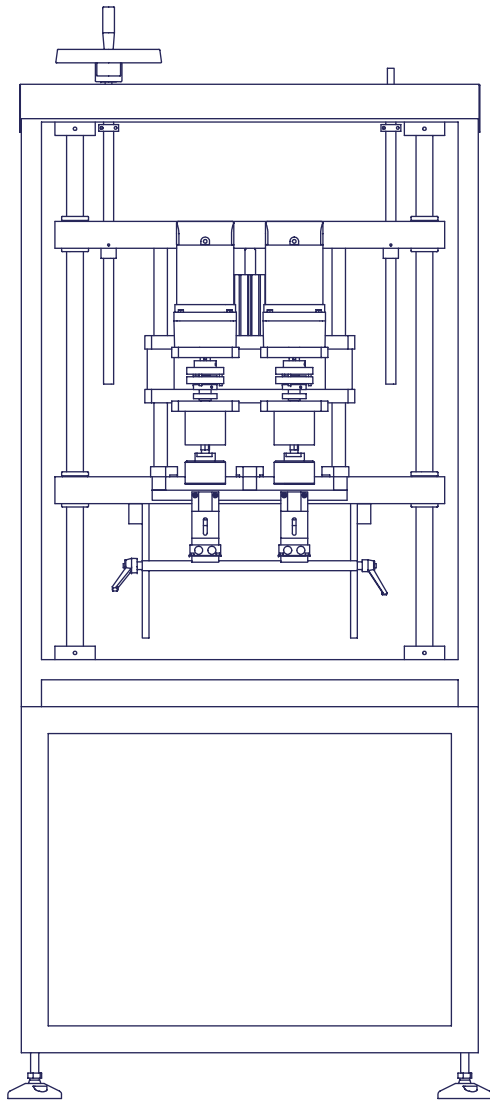


THIS DOCUMENT IS THE EXCLUSIVE PROPERTY OF INLINE FILLING SYSTEMS AND MAY NOT BE USED OR REPRODUCED, NOR ITS CONTENT OR PART THERE OF BE DISCUSSED TO OTHER BY ANY PERSON OR COMPANY WITHOUT THE WRITTEN CONSENT FROM INLINE FILLING SYSTEMS

REVISION DESCRIPTION

DATE

INIT



DRAWN BY:  
PH

DATE:  
2/21/2008

CHECKED BY:

MATERIAL:

DECIMALS / DECIMAUX: .xx ± .01  
 DECIMALS / DECIMAUX: .xxx ± .005  
 FRACTIONS / FRACTIONS: ± 1/32  
 ANGULAR / ANGULAIRE: ± 0.5°  
 BREAK ALL SHARP EDGES /  
 BRISER TOUTES LES ARRETES

MAT'L TREATMENT:

MAT'L #:



216 S. SEABOARD AVE. TEL: (941) 486-8800  
 VENICE, FLORIDA FAX: (941) 486-0077  
 USA 34292 EMAIL: sales@fillers.com

MACHINE:

SHEET:  
1 OF 1

TITLE: CAPPER VERTICAL PLACER DUAL  
 STATION

DWG NO: DOUBLE STATION CAPPER  
 MAIN.iam

