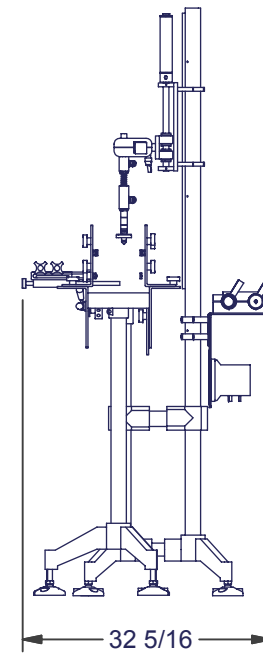
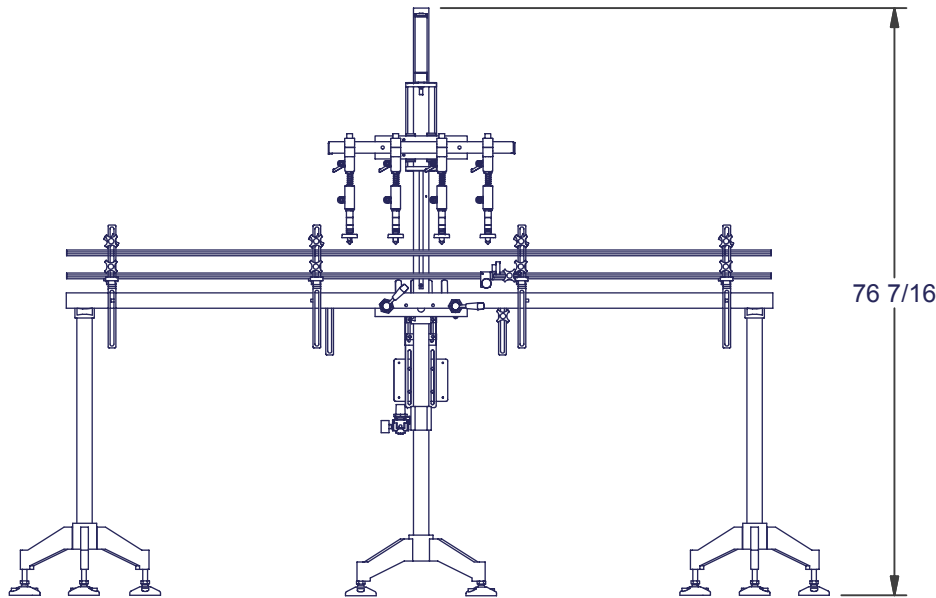
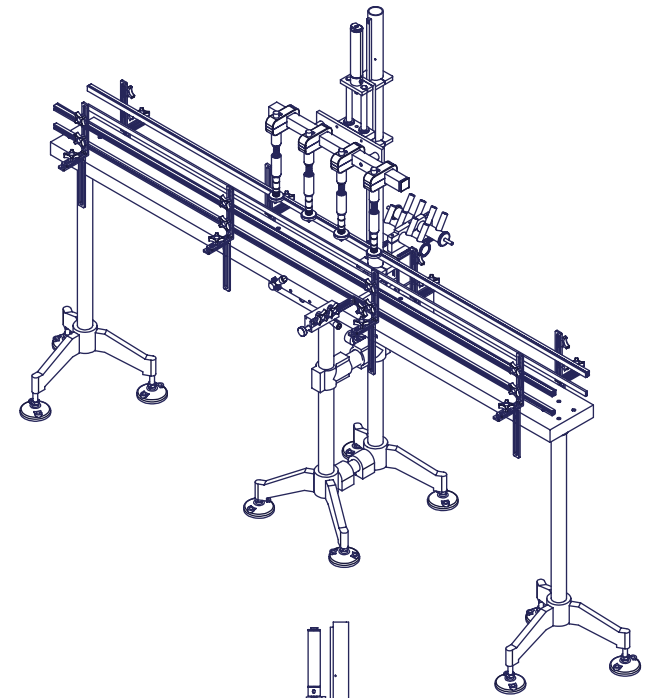
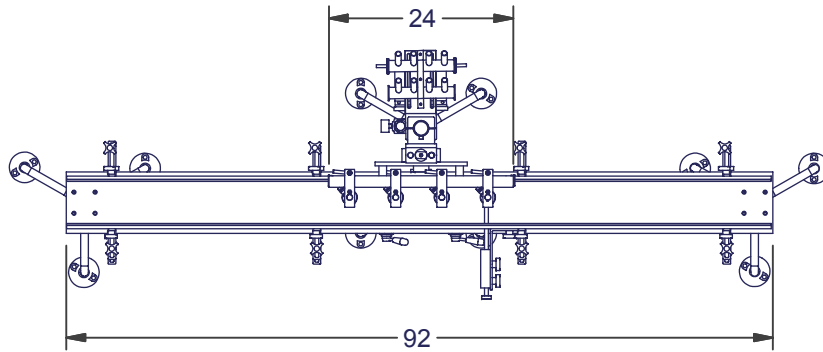


THIS DOCUMENT IS THE EXCLUSIVE PROPERTY OF INLINE FILLING SYSTEMS AND MAY NOT BE USED OR REPRODUCED, NOR ITS CONTENT OR PART THERE OF BE DISCUSSED TO OTHER BY ANY PERSON OR COMPANY WITHOUT THE WRITTEN CONSENT FROM INLINE FILLING SYSTEMS

REVISION DESCRIPTION

DATE

INIT



DRAWN BY:  
PH

DATE:  
8/21/2009

CHECKED BY:

MATERIAL:

MACHINE:

SHEET:  
1 OF 1

DECIMALS / DECIMAUX: .xx ± .01  
 DECIMALS / DECIMAUX: .xxx ± .005  
 FRACTIONS / FRACTIONS: ± 1/32  
 ANGULAR / ANGULAIRE: ± 0.5°  
 BREAK ALL SHARP EDGES /  
 BRISER TOUTES LES ARRETES

MAT'L TREATMENT:

MAT'L #:



216 S. SEABOARD AVE. TEL: (941) 486-8800  
 VENICE, FLORIDA FAX: (941) 486-0077  
 USA 34292 EMAIL: sales@fillers.com

TITLE:

DWG NO: FOF BENCHTOP 4 HD BASE  
 MACHINE.iam

