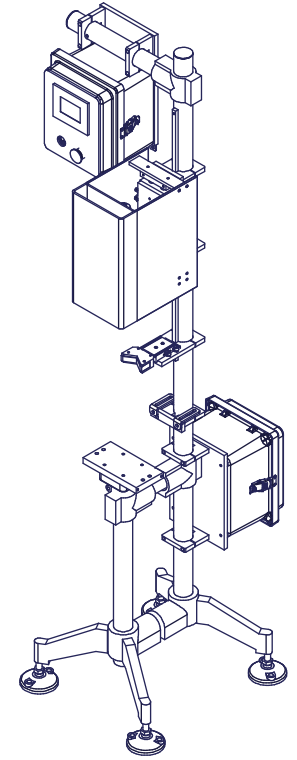
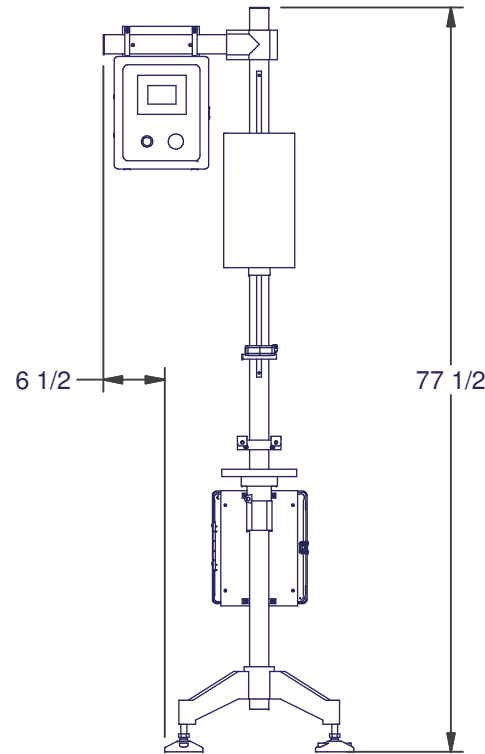
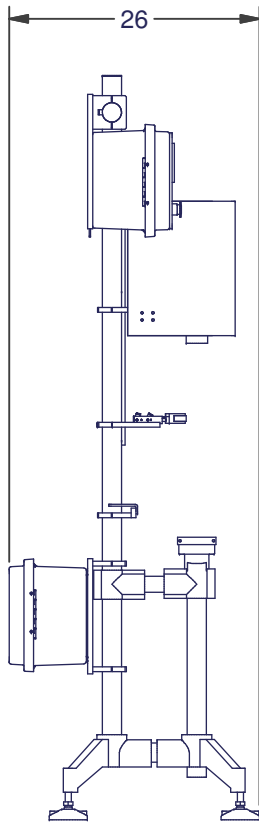
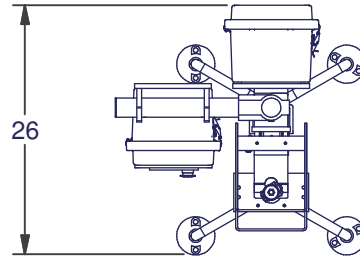


THIS DOCUMENT IS THE EXCLUSIVE PROPERTY OF INLINE FILLING SYSTEMS AND MAY NOT BE USED OR REPRODUCED, NOR ITS CONTENT OR PART THERE OF BE DISCUSSED TO OTHER BY ANY PERSON OR COMPANY WITHOUT THE WRITTEN CONSENT FROM INLINE FILLING SYSTEMS

REVISION DESCRIPTION

DATE INIT



DRAWN BY: KEN M  
DATE: 12/13/2005  
CHECKED BY:

MATERIAL:

MAT'L TREATMENT: MAT'L #:

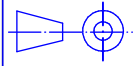


216 S. SEABOARD AVE. TEL: (941) 486-8800  
VENICE, FLORIDA FAX: (941) 486-0077  
USA 34292 EMAIL: sales@fillers.com

MACHINE: SEMI AUTO INLINE CAPPER SHEET: 1 OF 1

TITLE: SEMI-AUTO CAPPER ASSEMBLY

DWG NO: CAPTIGHT AUTO CHUCK.iam



DECIMALS / DECIMAUX: .xx ± .01  
DECIMALS / DECIMAUX: .xxx ± .005  
FRACTIONS / FRACTIONS: ± 1/32  
ANGULAR / ANGULAIRE: ± 0.5°  
BREAK ALL SHARP EDGES /  
BRISER TOUTES LES ARRETES