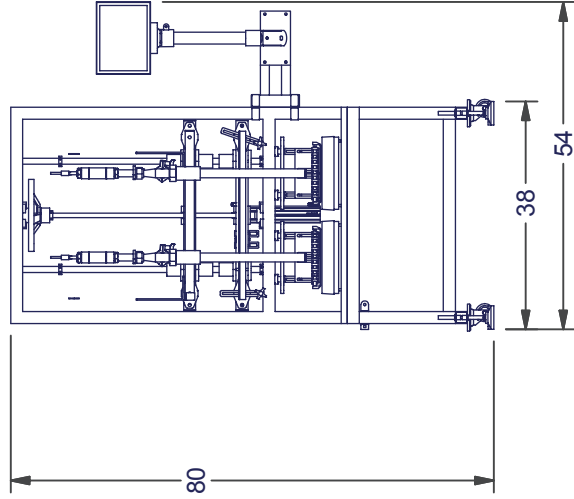
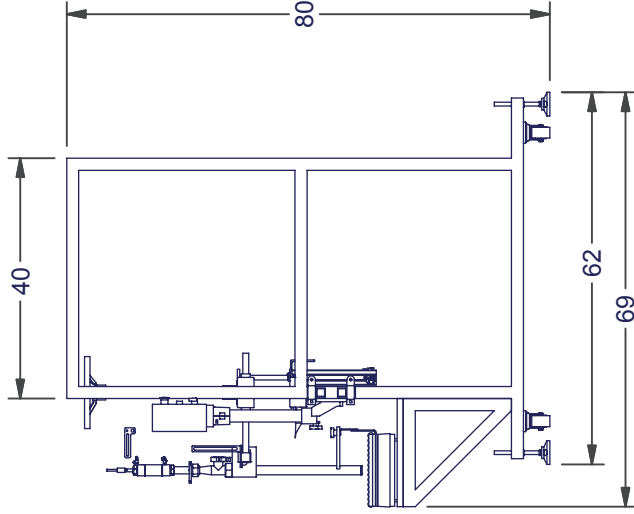
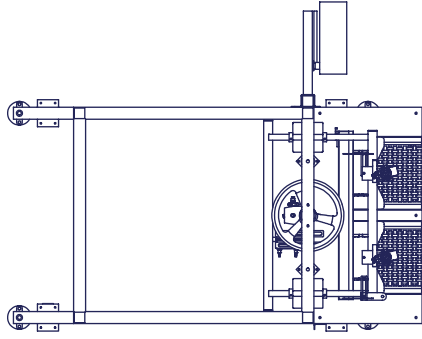
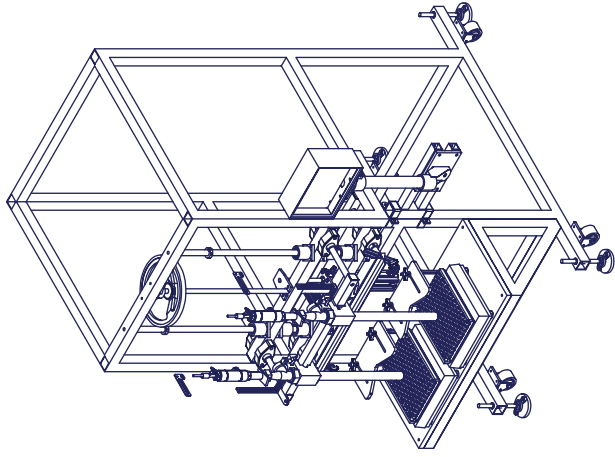


THIS DOCUMENT IS THE EXCLUSIVE PROPERTY OF INLINE FILLING SYSTEMS AND MAY NOT BE USED OR REPRODUCED, NOR ITS CONTENT OR PART THERE OF BE DISCUSSED TO OTHER BY ANY PERSON OR COMPANY WITHOUT THE WRITTEN CONSENT FROM INLINE FILLING SYSTEMS

REVISION DESCRIPTION	DATE	INIT



DRAWN BY: KEN M

DATE: 6/30/2005

CHECKED BY:

MATERIAL:

SHEET: 2 OF 2

DECIMALS / DECIMAUX: xx ± .01
 DECIMALS / DECIMAUX: .xxx ± .005
 FRACTIONS / FRACTIONS: ± 1/32
 ANGULAR / ANGULAIRE: ± 0.5°
 BREAK ALL SHARP EDGES /
 BRISER TOUTES LES ARRETES

MAT'L TREATMENT:

MAT'L #:



MACHINE:

TITLE: FNETWEIGH DUAL



216 S. SEABOARD AVE. TEL: (941) 486-8800
 VENICE, FLORIDA FAX: (941) 486-0077
 USA 34292 EMAIL: sales@fillers.com

DWG NO: FNETWEIGH DUAL.iam