

CERAMIC FILTERS

FILTRONETICS, INC

Model Number	Center Frequency	Pass Band		Stopband		Ripple	Loss	Terminating Impedance	Poles	Notes	Case
	(MHz)	(dB)	(MHz)	(dB)	(MHz)	(dB)	(dB)				
CF-049005010T	490.00	3	50.00	40	130.00	1.0	3.5	50	10		CFST
CF-06450108S	645.00	3	10.00	70	140.00	0.5	5.0	50	8		CFSS
CF-06750108S	675.00	3	10.00	70	140.00	0.5	5.0	50	8		CFSS
CF-07000204L	700.00	3	20.00	50	120.00	1.0	3.0	50	4		CFSL
CF-07050108S	705.00	3	10.00	70	140.00	0.5	5.0	50	8		CFSS
CF-070711210T	707.00	3	112.00	40	130.00	2.2	3.5	50	10		CFST
CF-07350108S	735.00	3	10.00	70	140.00	0.5	5.0	50	8		CFSS
CF-07400104L	740.00	3	10.00	45	80.00	1.0	4.0	50	4		CFSL
CF-074911210T	749.00	3	112.00	40	130.00	2.0	3.5	50	10		CFST
CF-07650108S	765.00	3	10.00	70	140.00	0.5	5.0	50	8		CFSS
CF-07950108S	795.00	3	10.00	70	140.00	0.5	5.0	50	8		CFSS
CF-08080105O	808.00	3	10.00	50	90.00	1.0	4.5	50	5		CFSO
CF-08130104I	813.00	3	10.00	30	80.00	0.5	3.5	50	4		CFSI
CF-08150203D	815.00	3	20.00	36	160.00	0.8	2.8	50	3		CFSD
CF-082901110T	829.56	3	11.10	40	20.00	3.0	15.0	50	10		CFST
CF-08360252A	836.50	3	25.00	5	65.00	0.8	2.2	50	2		CFSA
CF-08360253D	836.50	3	25.00	12	65.00	1.0	3.0	50	3		CFSD
CF-08360253H	836.50	3	25.00	13	65.00	1.0	2.6	50	3		CFSH
CF-08360254I	836.50	3	25.00	20	65.00	0.8	3.0	50	4		CFSI
CF-08360254L	836.50	3	25.00	22	65.00	1.0	2.5	50	4		CFSL
CF-08360258S	836.50	3	25.00	70	85.00	2.0	5.5	50	8		CFSS

FILTRONETICS, INC

6010 Parretta Drive, Kansas City, MO 64120

Phone (816) 231-7375 • Fax (816) 241-0368

www.filtro.net • E-mail: filtro@filtro.net

04/15/03

CERAMIC FILTERS

FILTRONETICS, INC

Model Number	Center Frequency	Pass Band		Stopband		Ripple	Loss	Terminating Impedance	Poles	Notes	Case
	(MHz)	(dB)	(MHz)	(dB)	(MHz)	(dB)	(dB)				
CF-083602510T	836.50	3	25.00	60	60.00	3.0	5.0	50	10		CFST
CF-08410042A	841.00	3	4.00	22	140.00	0.3	2.5	50	2		CFSA
CF-08410043D	841.00	3	4.00	44	150.00	0.3	3.0	50	3		CFSD
CF-08470104L	847.00	3	10.00	45	80.00	1.0	4.0	50	4		CFSL
CF-08470048S	847.14	3	3.70	20	10.00	2.2	20.0	50	8		CFSS
CF-084801110T	847.55	3	11.10	40	20.00	3.0	15.0	50	10		CFST
CF-08520105O	852.00	3	10.00	50	90.00	1.0	4.5	50	5		CFSO
CF-08600203D	860.00	3	20.00	36	160.00	0.8	2.8	50	3		CFSD
CF-08660042A	866.00	3	4.00	22	140.00	0.3	2.5	50	2		CFSA
CF-08660043D	866.00	3	4.00	44	150.00	0.3	3.0	50	3		CFSD
CF-08810252A	881.50	25.00	25.00	5	65.00	0.8	2.2	50	2		CFSA
CF-08810253D	881.50	3	25.00	12	65.00	1.0	3.0	50	3		CFSD
CF-08810253H	881.50	3	25.00	13	65.00	1.0	2.6	50	3		CFSH
CF-08810254J	881.50	3	25.00	20	65.00	0.8	3.0	50	4		CFSI
CF-88102504L	881.50	3	25.00	22	65.00	1.0	2.5	50	4		CFSL
CF-088202510T	881.50	3	25.00	60	60.00	3.0	8.0	50	10		CFST
CF-08850104L	885.00	3	10.00	45	80.00	1.0	4.0	50	4		CFSL
CF-08880333D	888.50	3	33.00	7	57.00	1.3	3.0	50	3		CFSE
CF-08920048S	892.14	3	3.70	20	10.00	2.2	20.0	50	8		CFSS
CF-08970353E	897.50	3	35.00	6	59.00	1.3	3.0	50	3		CFSE
CF-09020154L	902.50	3	15.00	40	80.00	1.0	3.5	50	4		CFSL

FILTRONETICS, INC

6010 Parretta Drive, Kansas City, MO 64120

Phone (816) 231-7375 • Fax (816) 241-0368

www.filtro.net • E-mail: filtro@filtro.net

04/15/03

CERAMIC FILTERS

FILTRONETICS, INC

Model Number	Center Frequency	Pass Band		Stopband		Ripple	Loss	Terminating Impedance	Poles	Notes	Case
	(MHz)	(dB)	(MHz)	(dB)	(MHz)	(dB)	(dB)				
CF-09020252A	902.50	3	25.00	6	65.00	0.8	2.2	50	2		CFSA
CF-09020253E	902.50	3	25.00	12	65.00	1.0	2.6	50	3		CFSE
CF-09020253H	902.50	3	25.00	13	65.00	1.0	2.6	50	3		CFSH
CF-09020258S	902.50	3	25.00	60	89.00	1.5	5.5	50	8		CFSS
CF-09110058S	911.50	3	5.00	70	85.00	3.5	15.0	50	8		CFSS
CF-09150262A	915.00	3	26.00	18	160.00	1.0	2.3	50	2		CFSA
CF-09150263E	915.50	3	26.00	12	65.00	1.0	3.0	50	3		CFSE
CF-09330333D	933.50	3	33.00	7	57.00	1.3	3.0	50	3		CFSE
CF-093515010T	935.00	3	150.00	40	230.00	2.2	3.5	50	10		CFST
CF-09420353E	942.50	3	35.00	6	59.00	1.3	3.0	50	3		CFSE
CF-09470154L	947.50	3	15.00	40	80.00	1.0	3.5	50	4		CFSL
CF-09470252A	947.50	3	25.00	6	65.00	0.8	2.2	50	2		CFSA
CF-09470253E	947.50	3	25.00	12	65.00	1.0	2.6	50	3		CFSE
CF-09470253H	947.50	3	25.00	13	65.00	1.0	2.6	50	3		CFSH
CF-09480082A	948.00	3	8.00	22	140.00	0.5	2.5	50	2		CFSA
CF-09480083D	948.00	3	8.00	32	100.00	0.5	3.0	50	3		CFSD
CF-0956058S	956.50	3	5.00	70	85.00	3.5	15.0	50	8		CFSS
CF-10300096Q	1030.00	3	9.00	45	50.00	0.8	5.0	50	6		CFSQ
CF-117015010T	1170.00	3	150.00	40	230.00	2.2	3.5	50	10		CFST
CF-12200096_	1220.00	0.5	9.00	15	30.00	0.5	9.0	50	6		CFSV5
CF-12200104	1220.00	0.5	10.00	40	80.00	0.5	3.6	50	4		CFSW6

FILTRONETICS, INC

6010 Parretta Drive, Kansas City, MO 64120

Phone (816) 231-7375 • Fax (816) 241-0368

www.filtro.net • E-mail: filtro@filtro.net

04/15/03

CERAMIC FILTERS

FILTRONETICS, INC

Model Number	Center Frequency	Pass Band		Stopband		Ripple	Loss	Terminating Impedance	Poles	Notes	Case
	(MHz)	(dB)	(MHz)	(dB)	(MHz)	(dB)	(dB)				
CF-1220008	1220.00	0.5	7.5	40	60.00	0.5	4.5	50	4		CFSW7
CF-13100605M	1310.00	3	60.00	12	56.00	1.6	4.1	50	5		CFSM
CF-140515010T	1405.00	3	150.00	40	230.00	2.2	5.0	50	10		CFST
CF-15400403H	1540.00	3	40.00	28	200.00	1.0	2.5	50	3		CFSH
CF-15750022B	1575.50	3	2.00	18	100.00	0.5	3.0	50	2		CFSB
CF-16400403H	1640.00	3	40.00	28	200.00	1.0	2.5	50	3		CFSH
CF-16900403G	1690.00	3	40.00	43	400.00	1.0	3.0	50	3		CFSG
CF-16900505P	1690.00	3	50.00	50	280.00	1.0	4.0	50	5		CFSP
CF-17000104J	1700.00	3	10.00	45	140.00	1.0	5.0	50	4		CFSJ
CF-171511210T	1715.00	3	112.00	40	200.00	2.0	3.5	50	10		CFST
CF-17550058S	1755.00	3	5.00	45	40.00	1.0	5.0	50	8		CFSS
CF-17550104J	1755.00	3	10.00	45	140.00	1.0	5.0	50	4		CFSJ
CF-17650304J	1765.00	3	30.00	35	180.00	0.8	3.5	50	4		CFSJ
CF-18420756	1842.50	3	75.00	50	225.00	0.5	3.0	50	6		CFSQ9
CF-18450104J	1845.00	3	10.00	45	140.00	1.0	5.0	50	4		CFSJ
CF-18450108S	1845.00	3	10.00	45	40.00	1.0	5.0	50	8		CFSS
CF-18550304J	1855.00	3	30.00	35	180.00	0.8	3.5	50	4		CFSJ
CF-18800603F	1880.00	3	60.00	15	200.00	0.8	2.2	50	3		CFSF
CF-18900022B	1890.00	3	2.00	16	320.00	0.5	1.8	50	2		CFSB
CF-19300204K	1930.00	3	20.00	40	140.00	0.8	4.5	50	4		CFSK
CF-19500605N	1950.00	3	60.00	50	280.00	0.5	2.5	50	5		CFSN

FILTRONETICS, INC

6010 Parretta Drive, Kansas City, MO 64120

Phone (816) 231-7375 • Fax (816) 241-0368

www.filtro.net • E-mail: filtro@filtro.net

04/15/03

CERAMIC FILTERS

FILTRONETICS, INC

Model Number	Center Frequency	Pass Band		Stopband		Ripple	Loss	Terminating Impedance	Poles	Notes	Case
	(MHz)	(dB)	(MHz)	(dB)	(MHz)	(dB)	(dB)				
CF-19600603F	1960.00	3	60.00	15	200.00	0.8	2.2	50	3		CFSF
CF-19600606	1960.00	3	60.00	50	180.00	0.5	3.0	50	6		CFSQ8
CF-19720055P	1972.00	3	5.00	25	65.00	0.5	5.0	50	5		CFSP
CF-21200204K	2120.00	3	20.00	40	140.00	0.8	4.5	50	4		CFSK
CF-21400605N	2140.00	3	60.00	50	280.00	0.5	2.5	50	5		CFSN
CF-21800284L	2180.00	3	28.00	25	70.00	1.0	3.5	50	4		CFSL
CF-23150302C	2315.00	3	30.00	18	320.00	0.8	1.5	50	2		CFSC
CF-23150304K	2315.00	3	30.00	40	180.00	1.0	4.5	50	4		CFSK
CF-23350556R	2332.50	3	55.00	23	115.00	1.0	3.0	50	6		CFSR
CF-24420836	2442.00	3	83.00	50	249.00	0.5	3.0	50	6		CFSQ10
CF-23500253F	2350.00	3	25.00	15	300.00	1.0	1.6	50	3		CFSF
CF-23501003G	2350.00	3	100.00	15	300.00	1.0	1.4	50	3		CFSG
CF-23850302C	2385.00	3	30.00	18	320.00	0.8	1.5	50	2		CFSC
CF-23850304K	2385.00	3	30.00	40	180.00	1.0	4.5	50	4		CFSK
CF-274036010T	2740.00	3	360.00	20	560.00	2.0	4.5	50	10		CFST
CF-28002005N	2800.00	3	200.00	50	780.00	0.5	1.5	50	5		CFSN

FILTRONETICS, INC

6010 Parretta Drive, Kansas City, MO 64120

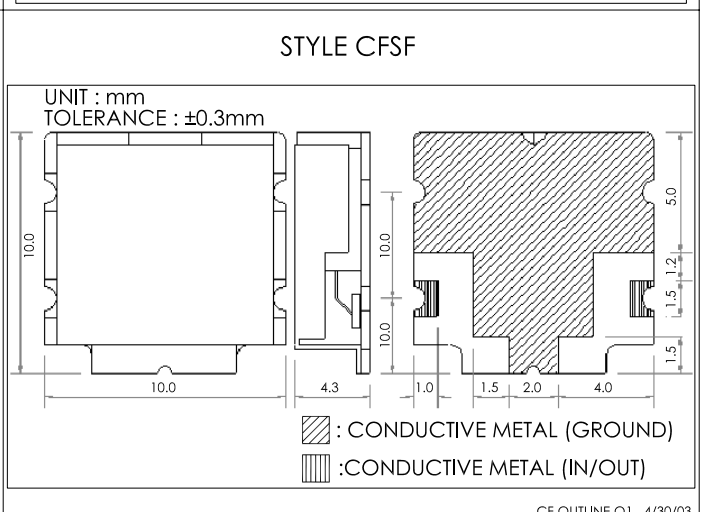
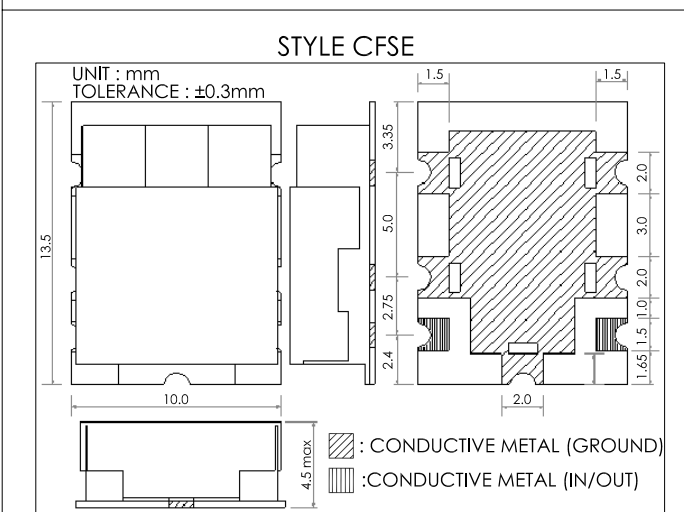
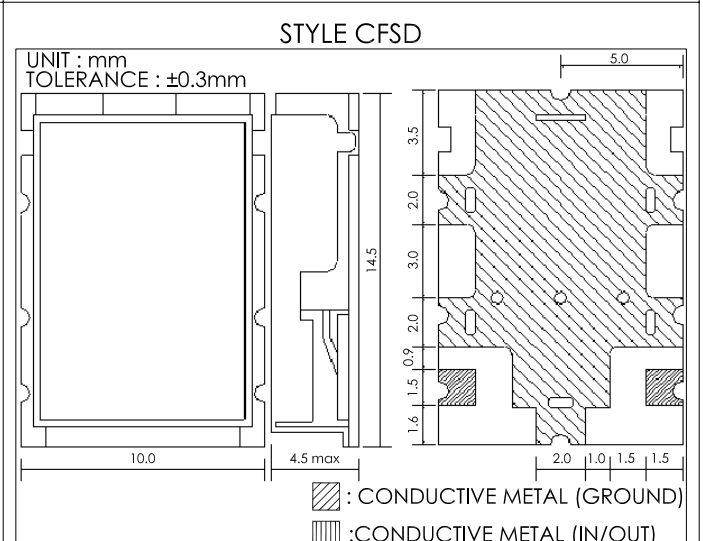
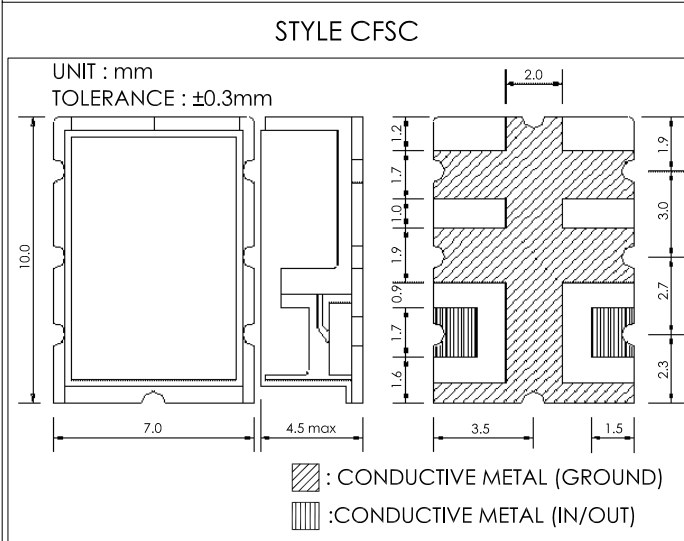
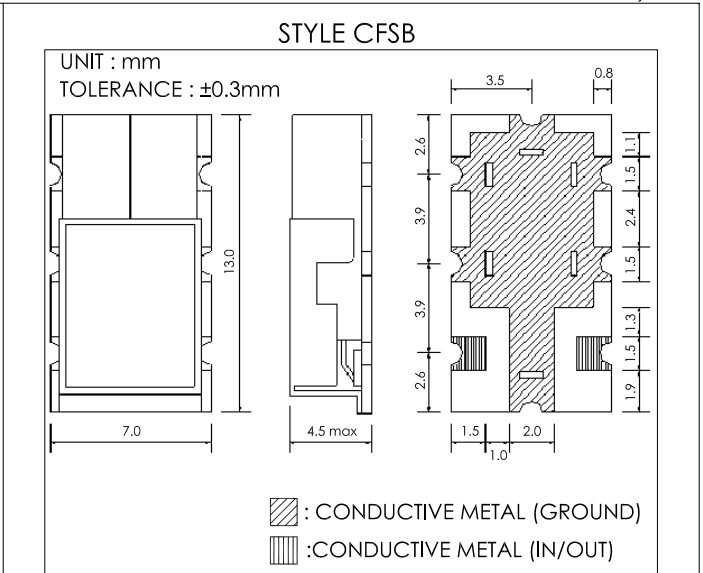
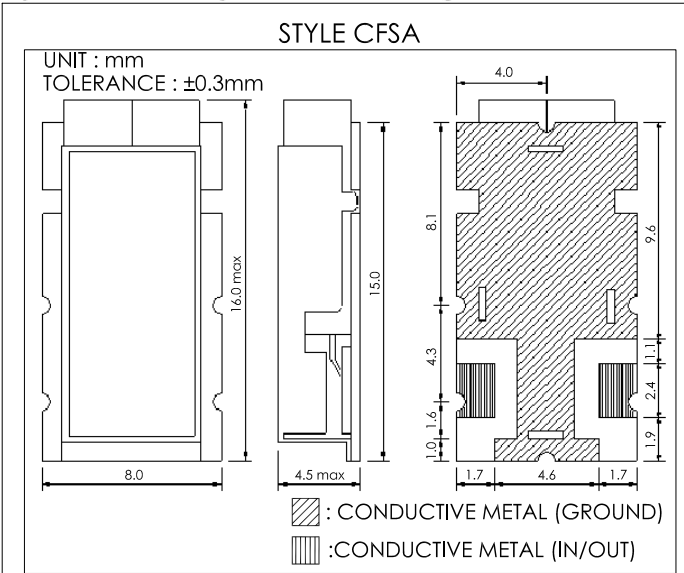
Phone (816) 231-7375 • Fax (816) 241-0368

www.filtro.net • E-mail: filtro@filtro.net

04/15/03

CERAMIC FILTERS

FILTRONETICS, INC



CF OUTLINE 01 4/30/03

FILTRONETICS, INC

6010 Parretta Drive, Kansas City, MO 64120

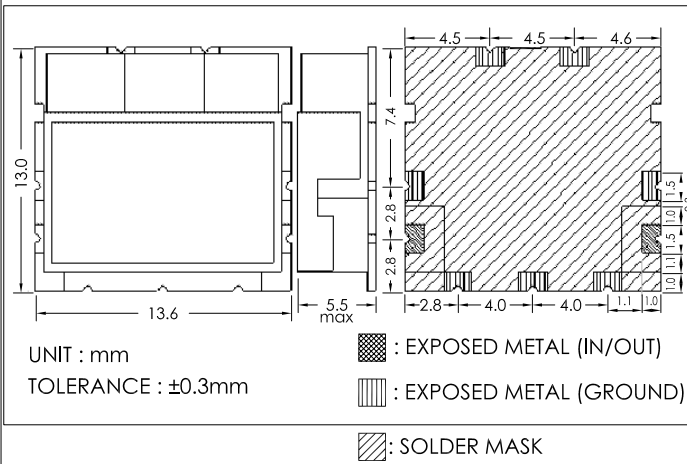
Phone (816) 231-7375 • Fax (816) 241-0368

www.filtro.net • E-mail: filtro@filtro.net

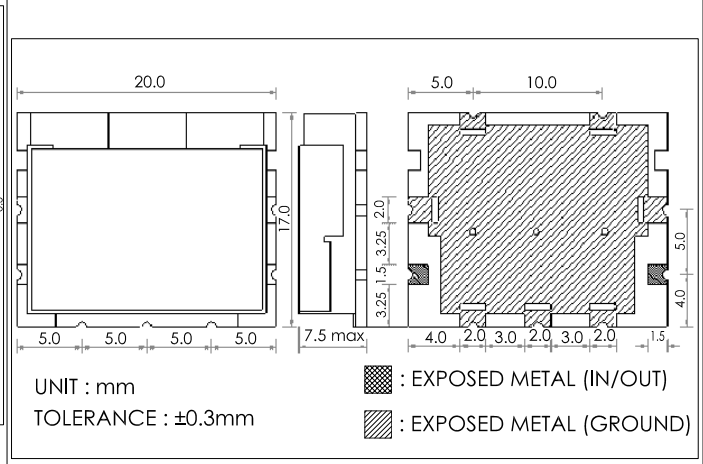
CERAMIC FILTERS

FILTRONETICS, INC

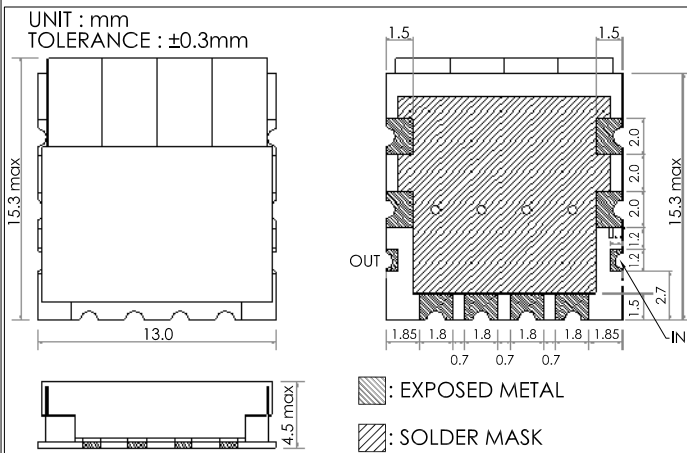
STYLE CFSG



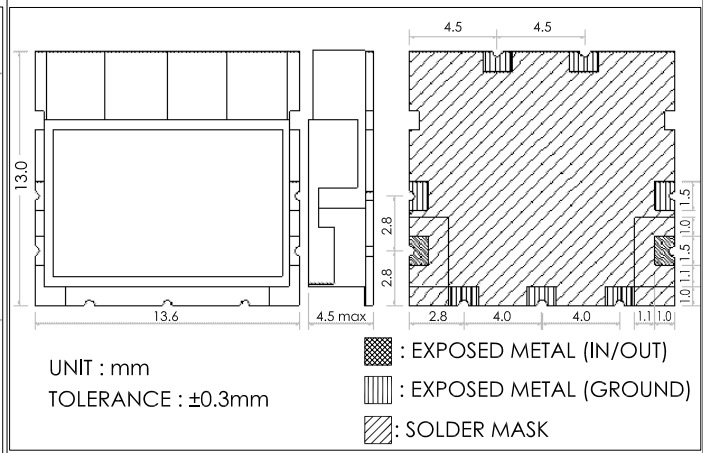
STYLE CFSH



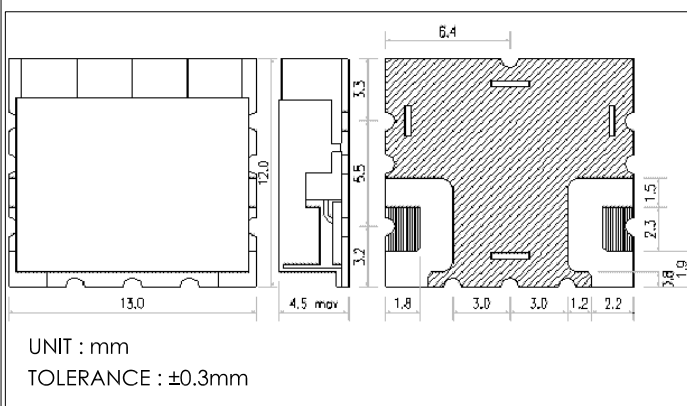
STYLE CFSI



STYLE CFSJ



STYLE CFSK

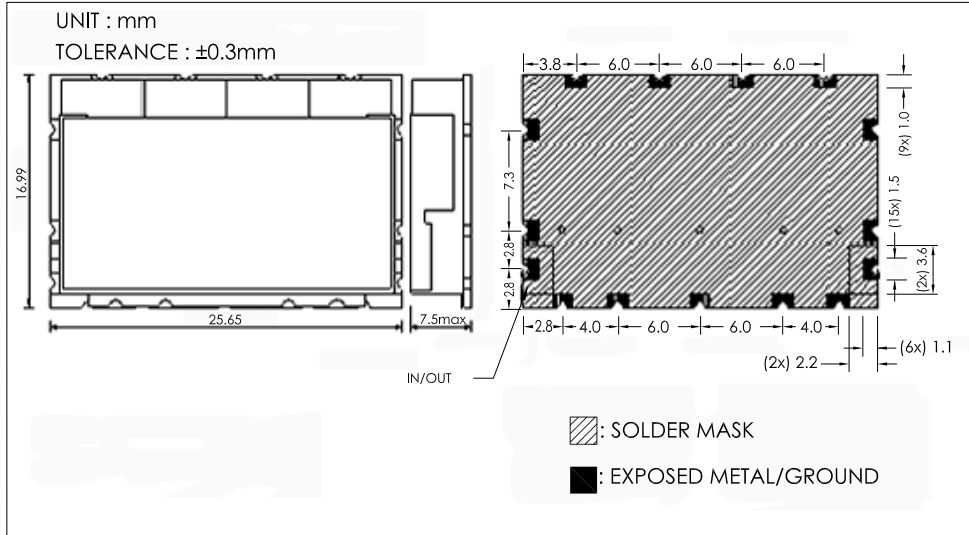


CF OUTLINE 02 4/18/03

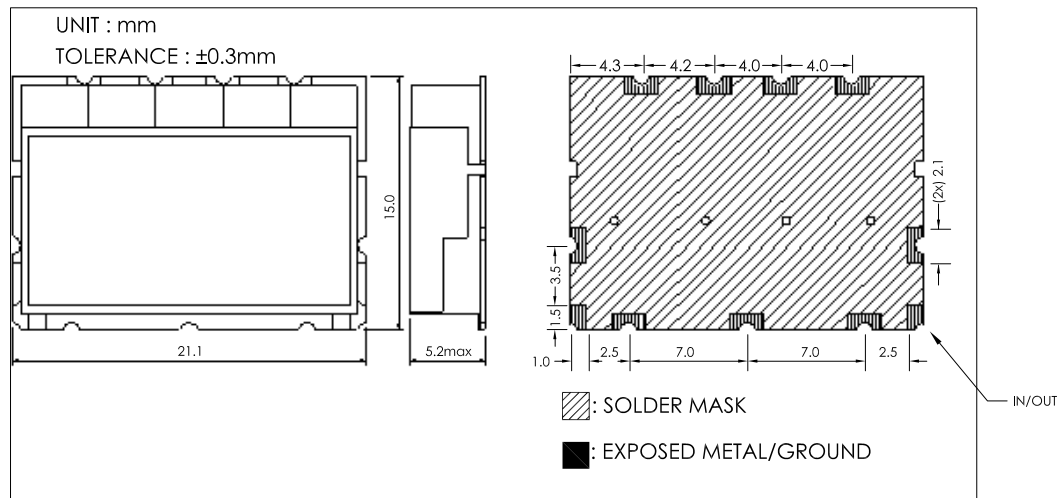
FILTRONETICS, INC

6010 Parretta Drive, Kansas City, MO 64120
Phone (816) 231-7375 • Fax (816) 241-0368
www.filtro.net • E-mail: filtro@filtro.net

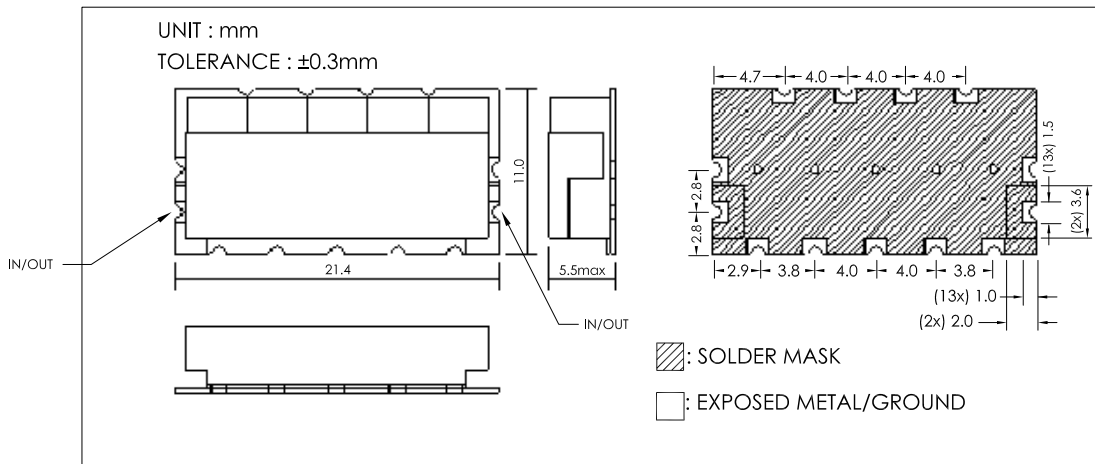
STYLE CFSL



STYLE CF5M

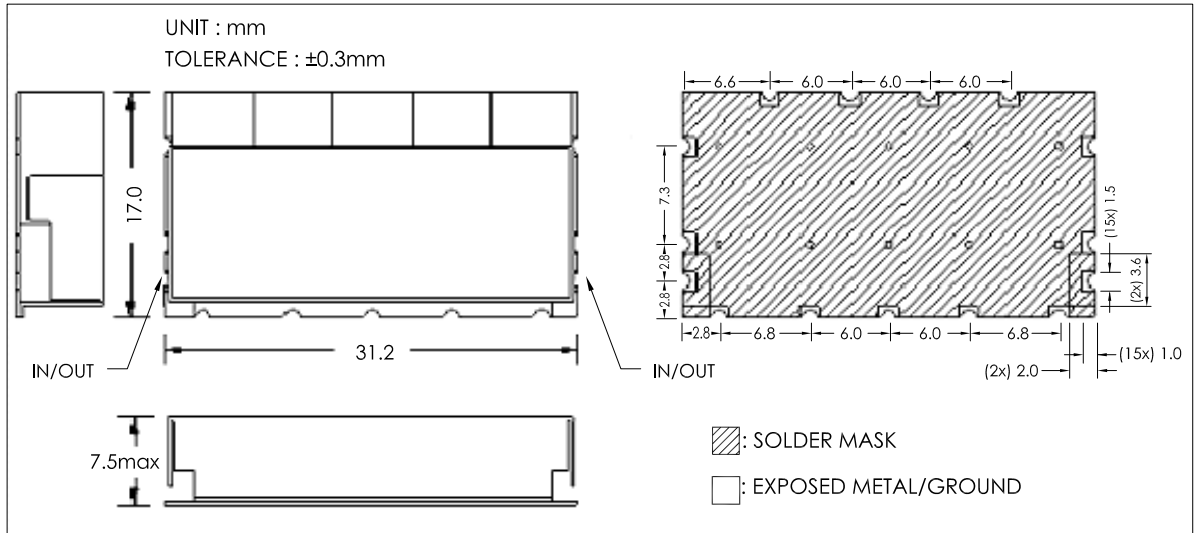


STYLE CF5N

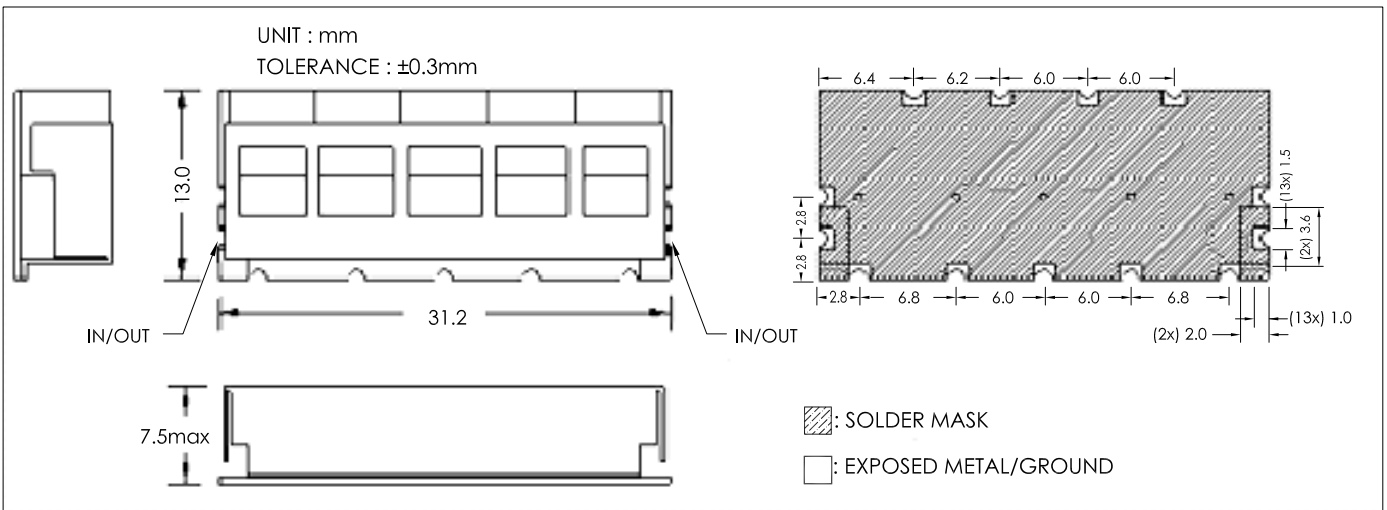


CF-OUTLINE 03 4/18/03

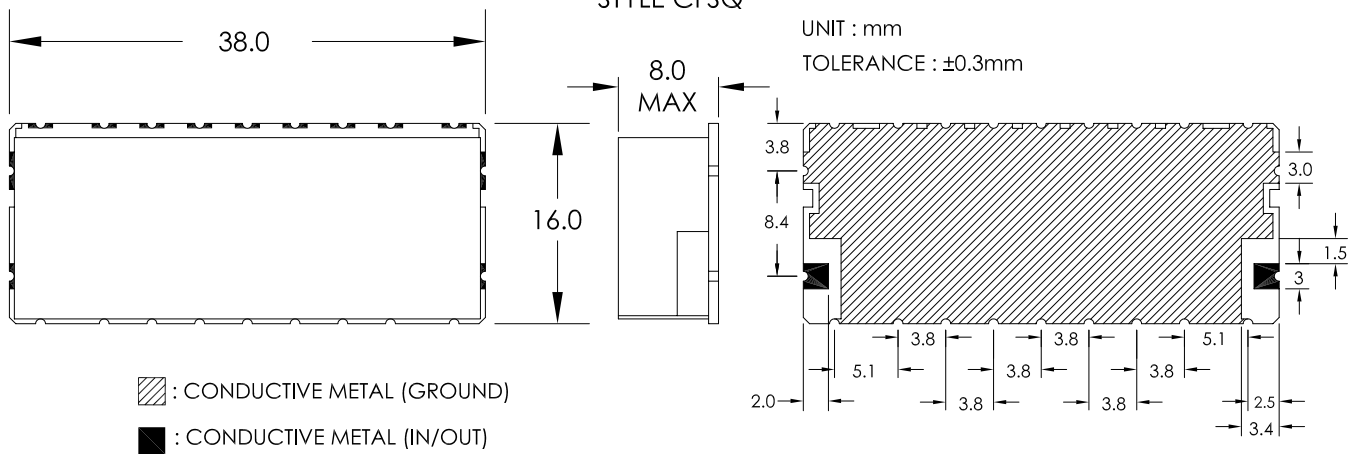
STYLE CFSO



STYLE CFSP



STYLE CFSQ



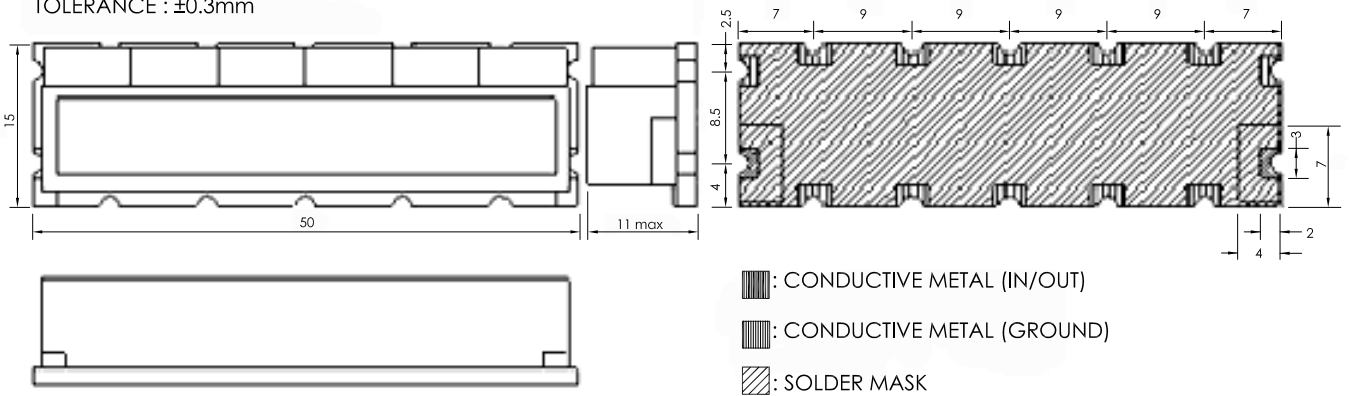
CF-OUTLINE 04 4/18/03

CERAMIC FILTERS

FILTRONETICS, INC

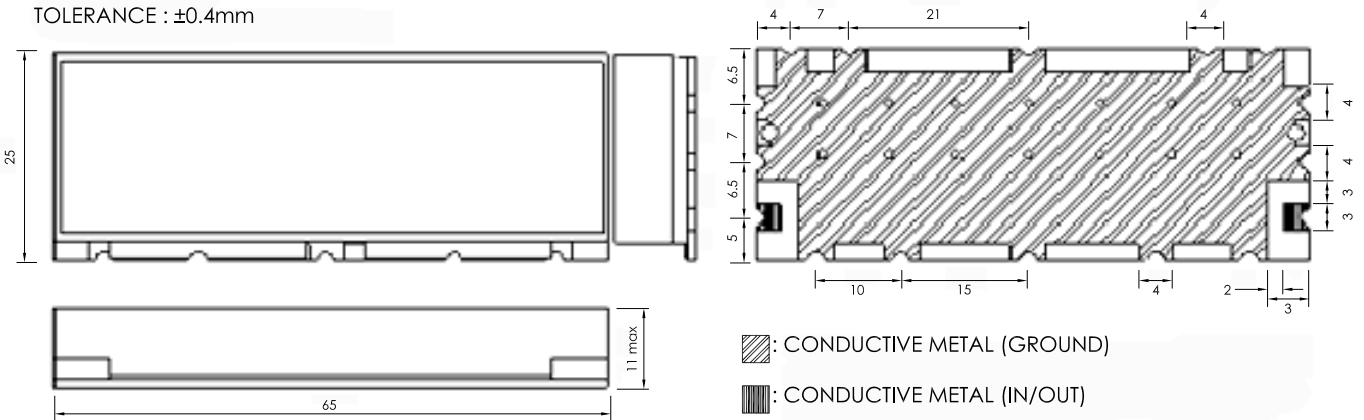
STYLE CFSR

UNIT : mm
TOLERANCE : $\pm 0.3\text{mm}$



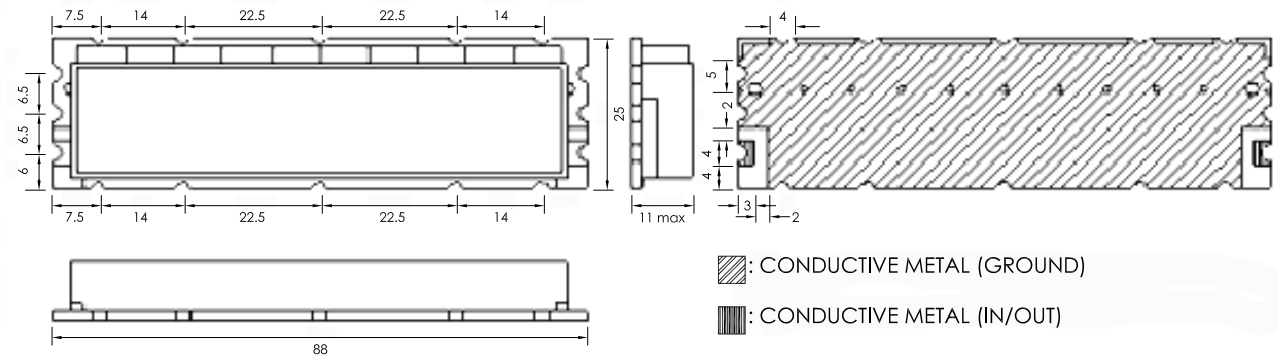
STYLE CFSS

UNIT : mm
TOLERANCE : $\pm 0.4\text{mm}$



STYLE CFST

UNIT : mm
TOLERANCE : $\pm 0.3\text{mm}$



CF-OUTLINE 05 4/21/03

FILTRONETICS, INC

6010 Parretta Drive, Kansas City, MO 64120
Phone (816) 231-7375 • Fax (816) 241-0368
www.filtro.net • E-mail: filtro@filtro.net