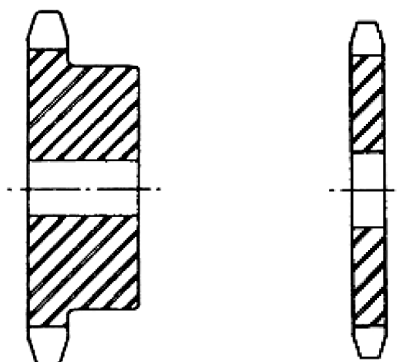


ISO 9001:2000	STYLE	TEETH	DIA.	BORE		HUB		WT.	ISO 9001:2000	STYLE	BORE	WT.
Part Number	Bore	Quantity	Outside	Std.	Max.	Dia.	LTB	lbs	Part Number	Bore	Std.	lbs
			inch									
40B8	B	8	1.510	1/2	1/2	31/32	7/8	0.18	—	—	—	—
40B9		9	1.670		9/16	1 1/16		0.20				
40B10		10	1.840		3/4	1 1/4		0.27				
40B11		11	2.000		7/8	1 3/8		0.35				
40B12		12	2.170	1/2	1	1 9/16	7/8	0.45	40A12	A	1/2	0.18
40B13	B	13	2.330	1/2	1 1/16	1 9/16	7/8	0.50	40A13	A	1/2	0.22
40B14		14	2.490		1 1/8	1 11/16		0.59	40A14			0.26
40B15		15	2.650	1/2	1 1/4	1 13/16	7/8	0.70	40A15		5/8	0.30
40B16		16	2.810	5/8	1 3/8	2		0.79	40A16			0.34
40B17		17	2.980	5/8	1 7/16	2 1/8		1	1.04			40A17
40B18	B	18	3.140	5/8	1 1/2	2 5/16	1	1.22	40A18	A	5/8	0.44
40B19		19	3.300		1 3/4	2 1/2		1.43	40A19			0.46
40B20		20	3.460	5/8	1 7/8	2 3/4	2 7/8	1.56	40A20		5/8	0.56
40B21		21	3.620					1.73	40A21			0.58
40B22		22	3.780					1.96	40A22			0.66
40B23		23	3.940					2	3			2.13
40B24	B	24	4.100	5/8	2 1/4	3 1/4	1	2.41	40A24	A	5/8	0.82
40B25		25	4.260					2.54	40A25			0.88
40B26		26	4.420					2.58	40A26			0.94
40B27		27	4.580					2.66	40A27			0.98

FIT GOES THE EXTRA MILE FOR OUR CUSTOMERS

CORPORATE - WEST COAST SALES
 47655 Warm Springs Blvd
 Fremont, CA 94539
 Toll Free: (800) 808-0348
 Phone: (510) 623-1688

MIDWEST SALES - DISTRIBUTION
 2800 Galvin Drive
 Elgin, IL 60124
 Toll Free: (877) 808-0348
 Phone: (847) 836-8200

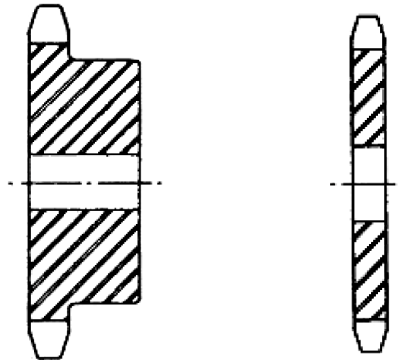


ISO 9001:2000	STYLE	TEETH	DIA.	BORE		HUB		WT.	ISO 9001:2000	STYLE	BORE	WT.
Part Number	Bore	Quantity	Outside	Std.	Max.	Dia.	LTB	lbs	Part Number	Bore	Std.	lbs
			inch								inch	
40B28	B	28	4.740	5/8	2 1/4	3 1/4	1	2.73	40A28	A	5/8	1.10
40B29		30	4.900	5/8	2 1/4	3 1/4		2.80	40A29		1.22	
40B30		31	5.060					2.96	40A30		19/32	1.26
40B31		32	5.220					3.10	40A31		1.40	
40B32		33	5.380					3.16	40A32		1.48	
40B33	34	5.540	3.22				40A33	1.56				
40B34	B	35	5.700	5/8	2 1/4	3 1/4	1	3.30	40A34	A	19/32	1.64
40B35		36	5.860					3.46	40A35		1.70	
40B36		37	6.020					3.58	40A36		1.84	
40B37		38	6.180					3.62	40A37		1.92	
40B38		39	6.330					3.70	40A38		2.00	
40B39	40	6.490	3.76	40A39	2.02							
40B40	B	41	6.650	3/4	2 3/8	3 1/2	1 1/8	4.69	40A40	A	23/32	2.22
40B41		42	6.810					4.76	40A41		2.42	
40B42		43	6.970					4.82	40A42		2.50	
40B43	B	44	7.130	3/4	2 3/8	3 1/2	1 1/8	5.12	40A43	A	23/32	2.80
40B44		45	7.290					5.15	40A44			2.85
40B45		46	7.450					5.30	40A45			3.15
40B46		46	7.610					5.57	40A46			3.26
40B47		47	7.770					5.44	40A47			3.32

FIT STRIVES TO BECOME OUR CUSTOMERS' # 1 OVERSEAS SUPPLIER

CORPORATE - WEST COAST SALES
 47655 Warm Springs Blvd
 Fremont, CA 94539
 Toll Free: (800) 808-0348
 Phone: (510) 623-1688

MIDWEST SALES - DISTRIBUTION
 2800 Galvin Drive
 Elgin, IL 60124
 Toll Free: (877) 808-0348
 Phone: (847) 836-8200



ISO 9001:2000	STYLE	TEETH	DIA.	BORE		HUB		WT.	ISO 9001:2000	STYLE	BORE	WT.
Part Number	Bore	Quantity	Outside	Std.	Max.	Dia.	LTB	lbs	Part Number	Bore	Std.	lbs
			inch								inch	
40B48		48	7.930					5.84	40A48			3.22
40B49		49	8.090					5.90	40A49			3.44
40B50	B	50	8.250	3/4	2 3/8	3 1/2	1 1/8	5.96	40A50	A	23/32	3.62
40B51		51	8.410					6.08	40A51			3.94
40B52		52	8.570					6.28	40A52			4.08
40B53		53	8.730					6.33	40A53			4.04
40B54		54	8.890					6.42	40A54			4.44
40B55	B	55	9.040	3/4	2 3/8	3 1/2	1 1/8	6.46	40A55	A	23/32	4.54
40B56		56	9.200					6.89	40A56			4.84
40B57		57	9.360					7.02	40A57			5.00
40B58		58	9.520					7.36	40A58			5.12
40B59		59	9.680	3/4	2 3/8	3 1/2	1 1/8	7.45	40A59			5.30
40B60	B	60	9.840					7.86	40A60	A	23/32	5.48
40B70		70	11.430	3/4	2 3/4	4	1 1/4	11.00	40A70			7.24
40B72		72	11.750					11.50	40A72			7.74
40B80		80	13.030	3/4				13.40	40A80		23/32	10.20
40B84	B	84	13.660		2 3/4	4	1 1/4	14.04	40A84	A		10.07
40B96		96	15.570	1				17.56	40A96		15/16	12.15
40B112		112	18.120					22.56	40A112			20.00

FIT'S SHANGHAI QUALITY CONTROL CENTER HAS STATE-OF-THE-ART TESTING EQUIPMENT

CORPORATE - WEST COAST SALES
 47655 Warm Springs Blvd
 Fremont, CA 94539
 Toll Free: (800) 808-0348
 Phone: (510) 623-1688

MIDWEST SALES - DISTRIBUTION
 2800 Galvin Drive
 Elgin, IL 60124
 Toll Free: (877) 808-0348
 Phone: (847) 836-8200