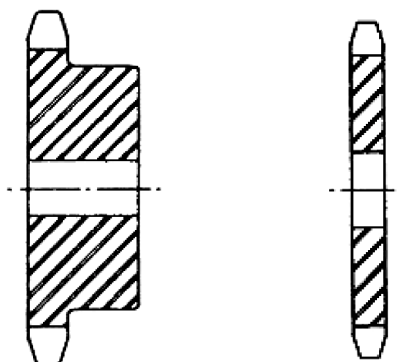


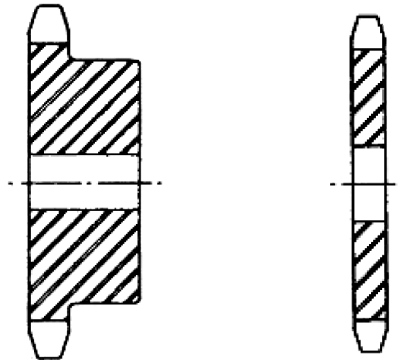
ISO 9001:2000	STYLE	TEETH	DIA.	BORE		HUB		WT.	ISO 9001:2000	STYLE	BORE	WT.
Part Number	Bore	Quantity	Outside	Std.	Max.	Dia.	LTB	lbs	Part Number	Bore	Std. inch	lbs
			inch									
60B8	B	8	2.260	5/8	5/8	1 15/32	1 1/4	0.54	—	—	—	—
60B9		9	2.510	3/4	7/8	1 9/16		0.64	—	—	—	—
60B10		10	2.760	3/4	1 1/8	1 15/16		0.99	60A10	A	3/4	0.44
60B11		11	3.000		1 5/16	2 1/16		1.16	60A11			0.54
60B12		12	3.250		1 3/8	2 3/8		1.47	60A12			0.68
60B13	B	13	3.490	3/4	1 1/2	2 11/32	1 1/4	1.66	60A13	A	3/4	0.80
60B14		14	3.740		1 3/4	2 9/16		2.00	60A14			0.94
60B15		15	3.980		1 7/8	2 7/8		2.51	60A15			1.08
60B16		16	4.220		2	3 1/16		2.81	60A16			1.24
60B17		17	4.460		2 1/4	3 1/4		3.22	60A17			1.44
60B18	B	18	4.700	3/4	2 3/8	3 1/2	1 1/4	3.72	60A18	A	3/4	1.62
60B19		19	4.950			3 1/2		3.92	60A19			1.84
60B20		20	5.190		2 5/8	3 7/8		4.63	60A20			2.12
60B21		21	5.430		2 3/4	4		5.00	60A21			2.28
60B22		22	5.670					5.25	60A22			2.48
60B23	B	23	5.910	3/4	2 3/4	4	1 1/4	5.48	60A23	A	23/32	2.68
60B24		24	6.150					5.78	60A24			3.00
60B25		25	6.390					6.13	60A25			3.00
60B26		26	6.630					6.38	60A26			3.34
60B27		27	6.870					6.72	60A27			3.54
60B28	B	28	7.110	3/4	2 3/4	4	1 1/4	6.88	60A28	A	23/32	3.96
60B29		29	7.350					7.28	60A29			4.14

FIT SPECIALIZES IN BEARINGS, SEALS, AND CASTINGS



ISO 9001:2000	STYLE	TEETH	DIA.		BORE		HUB		WT.	ISO 9001:2000	STYLE	BORE		WT.
Part Number	Bore	Quantity	Outside	Std.	Max.	Dia.	LTB	lbs	Part Number	Bore	Std.	inch	lbs	
inch														
60B30	B	30	7.590	3/4	2 3/4	4	1 1/4	7.58	60A30	A	23/32	4.48		
60B31		31	7.830					7.72	60A31			5.24		
60B32		32	8.070					8.26	60A32			5.52		
60B33		33	8.300	1				8.42	60A33		15/16	5.86		
60B34		34	8.540					8.80	60A34		6.16			
60B35	B	35	8.780	1	2 3/4	4	1 1/4	9.04	60A35	A	15/16	6.78		
60B36		36	9.020					9.60	60A36			6.82		
60B37		37	9.260					10.24	60A37			7.52		
60B38		38	9.500	4 1/4				10.84	60A38		7.84			
60B39		39	9.740					11.36	60A39		8.28			
60B40	B	40	9.980	1	2 3/4	4 1/4	1 1/4	11.50	60A40	A	15/16	8.56		
60B41		41	10.220					12.14	60A41			9.10		
60B42		42	10.460					12.74	60A42			9.84		
60B43		43	10.700	13.00				60A43	9.74					
60B44		44	10.940	15/16				13.88	60A44		10.76			
60B45	B	45	11.180	15/16	2 3/4	4 1/4	1 1/4	13.98	60A45	A	15/16	11.08		
60B46		46	11.420					14.60	60A46			11.50		
60B47		47	11.650					15.00	60A47			12.32		
60B48		48	11.890					15.82	60A48			12.42		
60B49		49	12.130					15.90	60A49			12.92		
60B50		50	12.370					17.66	60A50			13.98		

FIT STRIVES FOR 100% IN QUALITY PRODUCTS



ISO 9001:2000	STYLE	TEETH	DIA.	BORE		HUB		WT.	ISO 9001:2000	STYLE	BORE	WT.
Part Number	Bore	Quantity	Outside	Std.	Max.	Dia.	LTB	lbs	Part Number	Bore	Std.	lbs
			inch								inch	lbs
60B51	B	51	12.610	15/16	2 3/4	4 1/4	1 1/4	16.98	60A51	A	15/16	14.58
60B52		52	12.850					17.93	60A52			14.60
60B53		53	13.090	17.99				60A53	15.84			
60B54		54	13.330	15/16			1 3/4	21.60	60A54		15/16	15.92
60B55		55	13.570	1 1/4				21.14	60A55		1 1/4	16.96
60B56	B	56	13.810	1 1/4	2 3/4	4 1/4	1 3/4	21.88	60A56	A	1 1/4	17.60
60B57		57	14.040					22.26	60A57			17.62
60B58		58	14.280					22.80	60A58			19.00
60B59		59	14.520					23.86	60A59			19.20
60B60		60	14.760					25.22	60A60			20.02
60B64	B	64	15.720	1 1/4	2 3/4	4 1/4	1 3/4	27.40	60A64	A	1 1/4	23.00
60B65		65	15.960					28.92	60A65			23.24
60B68		68	16.670					30.38	60A68			25.54
60B70		70	17.150				31.98	60A70	27.20			
60B72		72	17.630				2	34.18	60A72			28.90
60B76	B	76	18.580	1 1/4	2 3/4	4 1/4	2	38.06	60A76	A	1 1/4	32.34
60B80		80	19.540					41.88	60A80			45.50
60B84		84	20.490					3 1/4	4 3/4			46.46
60B90		90	21.930		3 5/16	5	63.20	60A90	43.44			
60B96		96	23.360		3 3/4	5 1/2	2 1/4	63.08	60A96			52.02
60B112		112	27.180					81.78	60A112			70.80

FIT'S PRICES ARE EXTREMELY COMPETITIVE

CORPORATE - WEST COAST SALES
 47655 Warm Springs Blvd
 Fremont, CA 94539
 Toll Free: (800) 808-0348
 Phone: (510) 623-1688

MIDWEST SALES - DISTRIBUTION
 2800 Galvin Drive
 Elgin, IL 60124
 Toll Free: (877) 808-0348
 Phone: (847) 836-8200