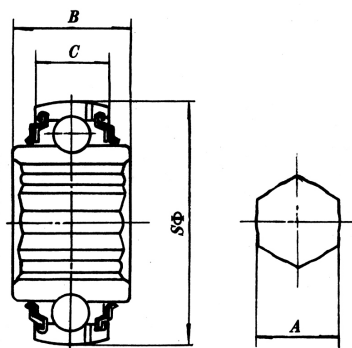


ISO 9001:2000	DIMENSIONS				LOAD RATING		WT.
Part Number	d	D	B	C	Dynamic Cr (N)	Static Cor (N)	lbs
inch							
HEX BORE SERIES, NON-RELUBRICATABLE TYPE, CYLINDRICAL O.D.							
202KRR3	0.5625	1.3780	0.5120	0.4330	1000	2360	0.1200
204KRR2	0.6875	1.8504	0.8250	0.5510	1400	3200	0.3200
205KRR2	0.8750	2.0472	1.0000	0.5910	1560	3450	0.4400
206KPP3	1.0010	2.4409	0.9450	0.6300	2280	4800	0.7600
206KRR6							
207KRR17	1.2500	2.8346	0.9840	0.6690	3050	6400	0.8700
207KPP3			1.4840				1.0000
207KRR12			2.8346	1.4844			0.9843
W208KRR8		3.1496	1.4380	0.7090	4000	8150	1.4500
HEX BORE SERIES, NON-RELUBRICATABLE TYPE, SPHERICAL O.D.							
205KRRB2	0.8750	2.0472	1.0000	0.5910	1560	3450	0.4400
205PPB13							
206KPPB3	1.0000	2.4409	0.9450	0.6300	2280	4800	0.7600
206KRRB6							
207KRRB12	1.1250	2.8346	0.9840	0.6690	3050	6400	0.8700
207KRRB9			1.4840				1.0000
207KPPB3	1.2500	2.8346	0.9840	0.6690	3050	6400	0.8700
207KRRB17							
W208PPB16	1.2500	3.1496	1.4380	0.7090	4000	8150	1.4500
W208KRRB6	1.3750			0.8270			
209KRRB2	1.5000	3.3456	1.1810	0.7480	4000	8150	1.2700
W210PPB7	1.6250	3.5433	1.1880	1.1880	4500	8800	1.7500

PLEASE ASK YOUR SALES REPRESENTATIVE REGARDING FIT'S FREE FREIGHT POLICY



ISO 9001:2000	DIMENSIONS				LOAD RATING		WT.
Part Number	d	D	B	C	Dynamic Cr (N)	Static Cor (N)	lbs
inch							
HEX BORE SERIES, RELUBRICATABLE TYPE, CYLINDRICAL O.D.							
G206KPP4	1.0010	2.4409	0.9450	0.7090	2280	4800	0.6200
HEX BORE SERIES, RELUBRICATABLE TYPE, SPHERICAL O.D.							
G206KRRB6	1.0010	2.4409	0.9450	0.7090	2280	4800	0.5900
G206KPPB4							0.6100
G207KPPB2	1.1250	2.8346	1.4840	0.7480	3050	6400	1.0000
GW208KRRB5	1.2500	3.1496	1.4380	0.8270	4000	8150	1.4000
GW208PPB22							1.5000
OTHER AGRICULTURAL BEARINGS AVAILABLE							