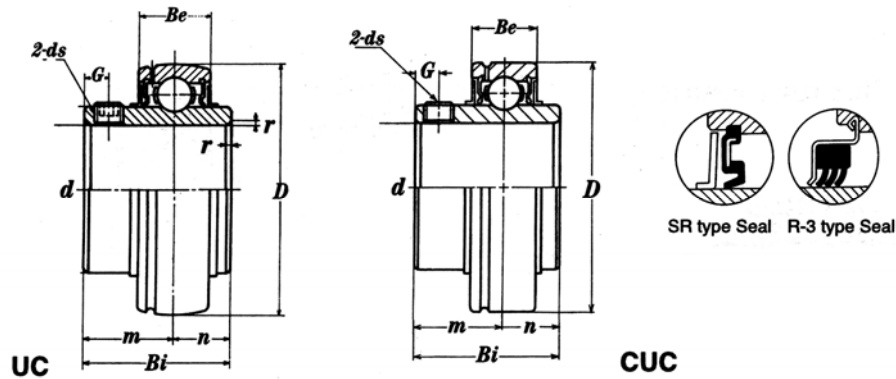




FIT Bearings®
The Brand that Fits

MOUNTED UNIT INSERTS
UC 200 Ball Bearings
Setscrew Type, Normal Duty

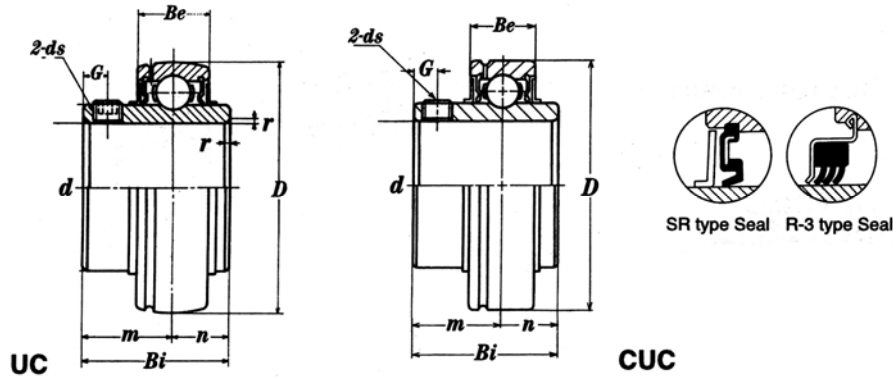


ISO 9001:2000 Part Number	DIMENSIONS									LOAD RATING		WT.
	d inch	d mm	D mm	Bi inch	Be inch	n inch	m inch	G inch	ds inch	Dynamic Cr (N)	Static Cor (N)	lbs
UC201-8	1/2											0.463
CUC202-10	5/8											0.419
203		17	47	1.219	0.656	0.500	0.721	0.197	1/4-28UNF	12800	6650	0.397
204-12	3/4											0.353
204		20										0.353
UC205-14	7/8											0.507
CUC205-15	15/16											0.463
205		25	52	1.344	0.656	0.563	0.776	0.217	1/4-28UNF	14000	7880	0.441
205-16	1											0.441
UC206-18	1 1/8											0.750
CUC206		30										0.705
206-19	1 3/16		62	1.500	0.750	0.626	0.874	0.236	1/4-28UNF	19500	11200	0.705
206-20	1 1/4											0.683
UC207-20	1 1/4											1.190
CUC207-21	1 5/16											1.124
207-22	1 3/8		72	1.703	0.781	0.689	1.000	0.256	5/16-24UNF	25700	15200	1.058
207		35										1.058
207-23	1 7/16											0.992
UC208-24	1 1/2											1.499
CUC208-25	1 9/16		80	1.938	0.813	0.748	1.189	0.315	5/16-24UNF	29600	18200	1.433
208		40										1.411
UC209-26	1 5/8											1.720
CUC209-27	1 11/16											1.631
209-28	1 3/4		85	1.938	0.859	0.748	1.189	0.315	5/16-24UNF	31850	20800	1.543
209		45										1.499

FREESPINNING K SERIES BEARINGS AVAILABLE UPON REQUEST

CORPORATE - WEST COAST SALES
47655 Warm Springs Blvd
Fremont, CA 94539
Toll Free: (800) 808-0348
Phone: (510) 623-1688

MIDWEST SALES - DISTRIBUTION
2800 Galvin Drive
Elgin, IL 60124
Toll Free: (877) 808-0348
Phone: (847) 836-8200



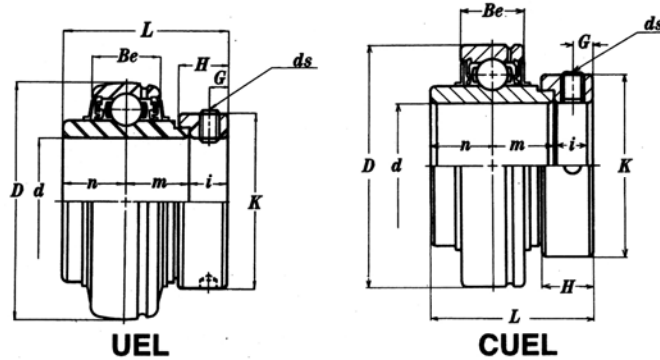
ISO 9001:2000	DIMENSIONS									LOAD RATING		WT.
Part Number	d	d	D	Bi	Be	n	m	G	ds	Dynamic	Static	lbs
	inch	mm	inch									
UC210-30	1 7/8											1.918
CUC210-31	1 15/16	90	2.031	0.891	0.748	1.284	0.354	3/8-24UNF	35100	23200	1.808	
210		50									1.764	
UC211-32	2											2.778
CUC211-34	2 1/8	100	2.188	0.984	0.874	1.315	0.354	3/8-24UNF	43550	29200	2.535	
211		55									2.447	
211-35	2 3/16										2.403	
UC212-36	2 1/4											3.682
CUC212		60	110	2.563	1.031	1.000	1.563	0.413	3/8-24UNF	47800	32800	3.395
212-38	2 3/8										3.351	
212-39	2 7/16										3.197	
UC213-40	2 1/2											4.277
CUC213		65	120	2.563	1.063	1.000	1.563	0.472	3/8-24UNF	57200	40000	4.101
UC214-44	2 3/4											4.541
CUC214		70	125	2.938	1.188	1.189	1.748	0.472	1/2-20UNF	60800	45000	4.519
UC215		75	130	3.063	1.188	1.311	1.752	0.472	1/2-20UNF	66000	49500	4.872
CUC215-48	3										4.674	
UC216		80	140	3.250	1.313	1.311	1.941	0.551	1/2-20UNF	71500	54200	6.151
UC217-52	3 1/4											8.069
CUC217		85	150	3.375	1.375	1.343	2.032	0.551	1/2-20UNF	83200	63800	7.606
UC218-56	3 1/2											9.833
CUC218	90	90	160	3.763	1.453	1.563	2.217	0.591	1/2-20UNF	95900	71500	9.590

FREESPINNING K SERIES BEARINGS AVAILABLE UPON REQUEST



FIT Bearings®
The Brand that Fits

MOUNTED UNIT INSERTS
UEL 200 Ball Bearings
Eccentric Locking Collar Type, Normal Duty

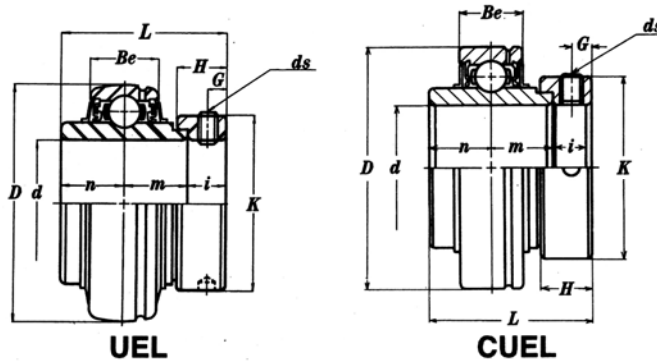


ISO 9001:2000	DIMENSIONS												LOAD RATING		WT.		
Part Number	d	d	D	Be	m	n	i	L	H	G	K	ds	Dynamic Cr (N)	Static Cor (N)	lbs		
	inch	mm	inch														
UEL201-8	1/2															0.600	
CUEL202-10	5/8															0.571	
203		17	47	0.625	0.670	0.670	0.370	1.713	0.532	0.173	1.311	1/4-28UNF	12800	6650	0.534		
204-12	3/4															0.507	
204		20														0.485	
UEL205-14	7/8															0.639	
CUEL205-15	15/16															0.595	
205		25	52	0.656	0.690	0.690	0.370	1.744	0.532	0.169	1.500	1/4-28UNF	14000	7800	0.551		
205-16	1															0.529	
UEL206-18	1 1/8															0.948	
CUEL206		30														0.904	
206-19	1 3/16		62	0.750	0.720	0.720	0.047	1.902	0.626	0.197	1.752	5/16-24UNF	19500	11200	0.882		
206-20	1 1/4															0.838	
UEL207-20	1 1/4															1.499	
CUEL207-21	1 5/16															1.433	
207-22	1 3/8		72	0.781	0.740	0.740	0.530	2.012	0.689	0.228	2.189	5/16-24UNF	25700	15200	1.345		
207		35														1.323	
207-23	1 7/16															1.279	
UEL208-24	1 1/2															1.830	
CUEL208-25	1 9/16		80	0.813	0.840	0.840	0.530	2.217	0.721	0.248	2.374	5/16-24UNF	29600	18200	1.742		
208		40														1.720	
UEL209-26	1 5/8															2.116	
CUEL209-27	1 11/16															2.006	
209-28	1 3/4		85	0.859	0.840	0.840	0.530	2.217	0.721	0.268	2.500	5/16-24UNF	31850	20800	1.918		
209		45														1.874	

FIT STRIVES TO BECOME OUR CUSTOMERS' #1 OVERSEAS SUPPLIER

CORPORATE - WEST COAST SALES
47655 Warm Springs Blvd
Fremont, CA 94539
Toll Free: (800) 808-0348
Phone: (510) 623-1688

MIDWEST SALES - DISTRIBUTION
2800 Galvin Drive
Elgin, IL 60124
Toll Free: (877) 808-0348
Phone: (847) 836-8200



ISO 9001:2000	DIMENSIONS											LOAD RATING		WT.	
Part Number	d	d	D	Be	m	n	i	L	H	G	K	ds	Dynamic	Static	lbs
	inch	mm	inch									Cr (N)	Cor (N)		
UEL210-30	1 7/8														2.425
CUEL210-31	1 15/16		90	0.906	0.970	0.970	0.530	2.469	0.721	0.256	2.752	5/16-24UNF	35100	23200	2.293
210		50													2.227
UEL211-32	2														3.483
CUEL211-34	2 1/8		100	1.000	1.090	1.090	0.630	2.807	0.815	0.284	3.000	3/8-24UNF	43550	29200	3.175
211		55													3.064
211-35	2 3/16														2.998
UEL212-36	2 1/4														4.475
CUEL212		60													4.123
212-38	2 3/8		110	1.063	1.220	1.220	0.630	3.059	0.878	0.323	3.315	3/8-24UNF	47800	32800	4.079
212-39	2 7/16														3.880
UEL213-40	2 1/2														5.534
CUEL213		65	120	1.094	1.340	1.340	0.690	3.374	0.925	0.315	3.386	3/8-24UNF	57200	40000	5.313
UEL214-44	2 3/4														5.688
CUEL214		70	125	1.188	1.340	1.340	0.690	3.374	0.925	0.354	3.811	3/8-24UNF	60800	45000	5.666
UEL215		75													6.261
CUEL215-48	3		130	1.188	1.340	1.340	0.690	3.626	0.941	0.354	4.016	3/8-24UNF	66000	49500	6.041
UEL216		80	140	1.313	1.340	1.340	0.690	3.748	1.063	0.406	4.331	7/16-20UNF	71500	54200	6.878

FIT'S SHANGHAI QUALITY CONTROL CENTER HAS STATE-OF-THE-ART TESTING EQUIPMENT