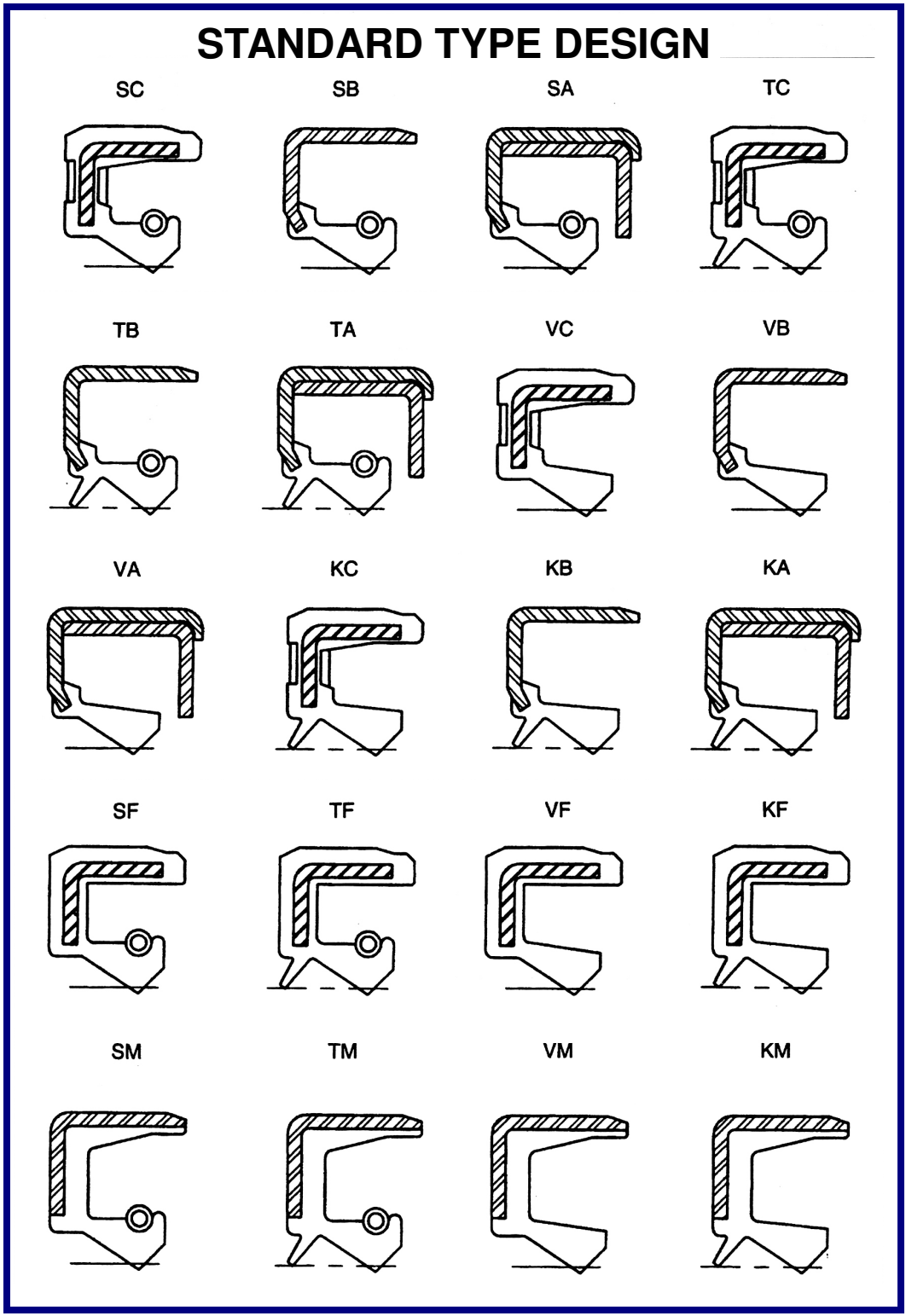


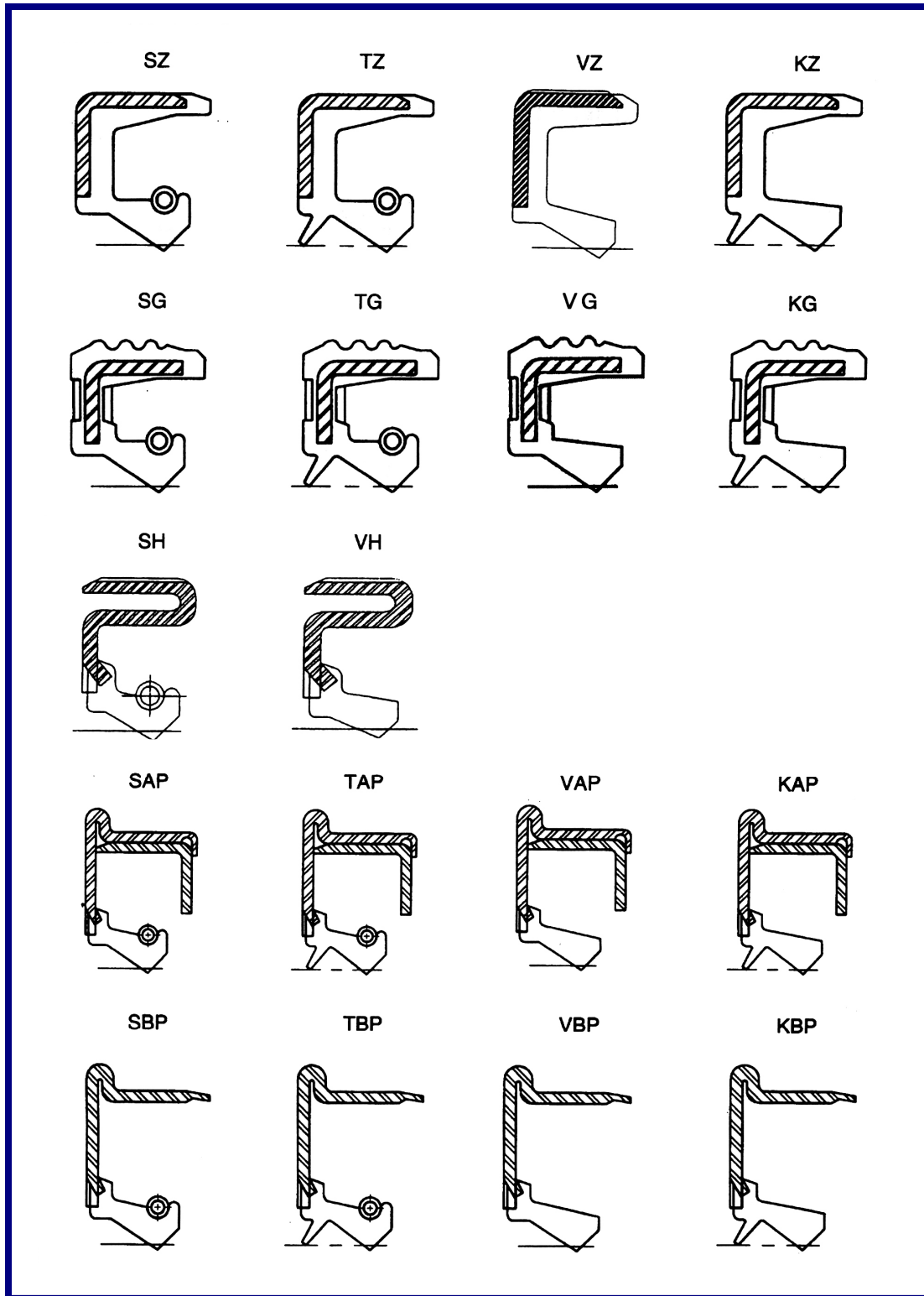


STANDARD TYPE DESIGN



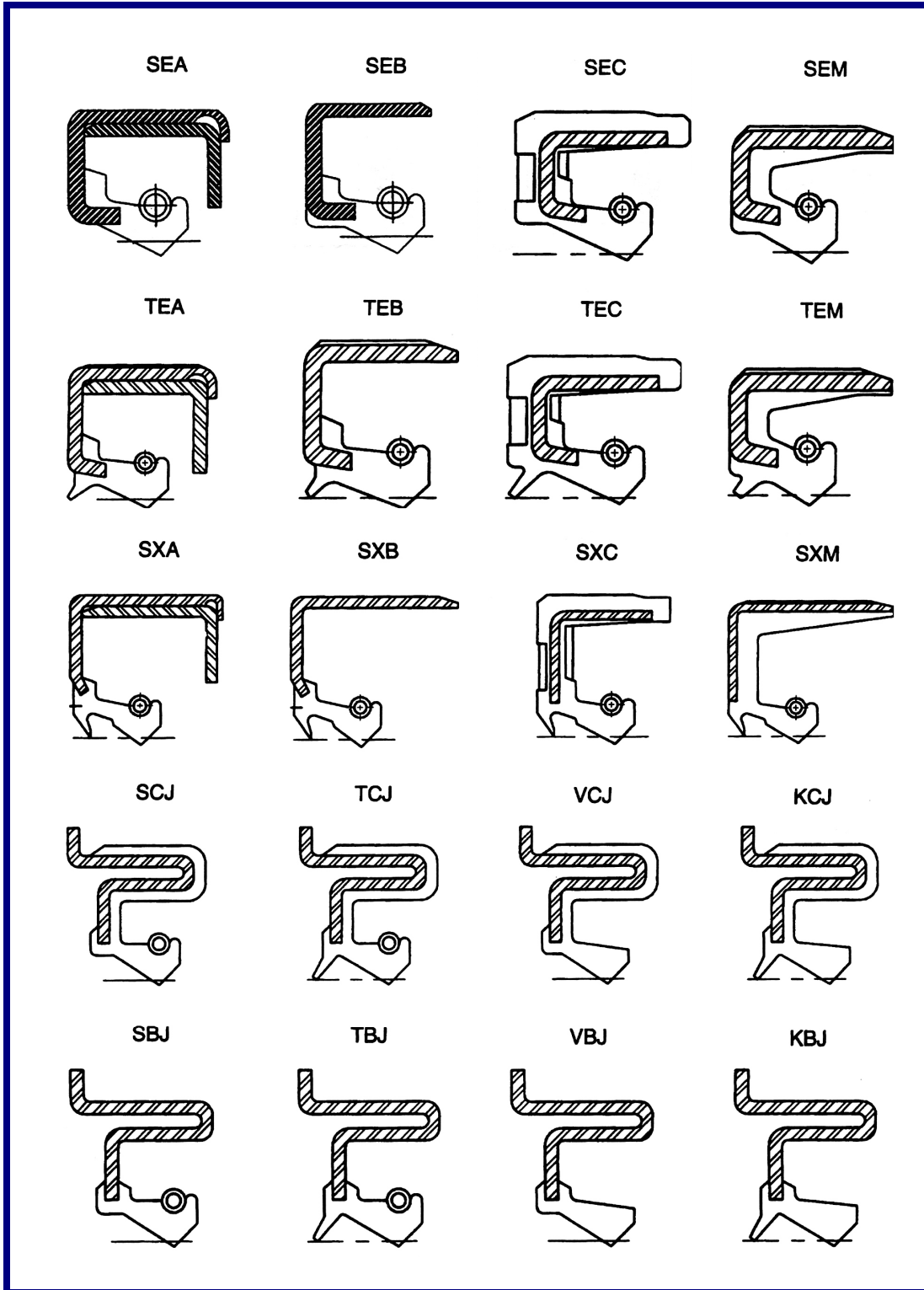
CORPORATE - WEST COAST SALES
47655 Warm Springs Blvd
Fremont, CA 94539
Toll Free: (800) 808-0348
Phone: (510) 623-1688

MIDWEST SALES - DISTRIBUTION
2800 Galvin Drive
Elgin, IL 60124
Toll Free: (877) 808-0348
Phone: (847) 836-8200



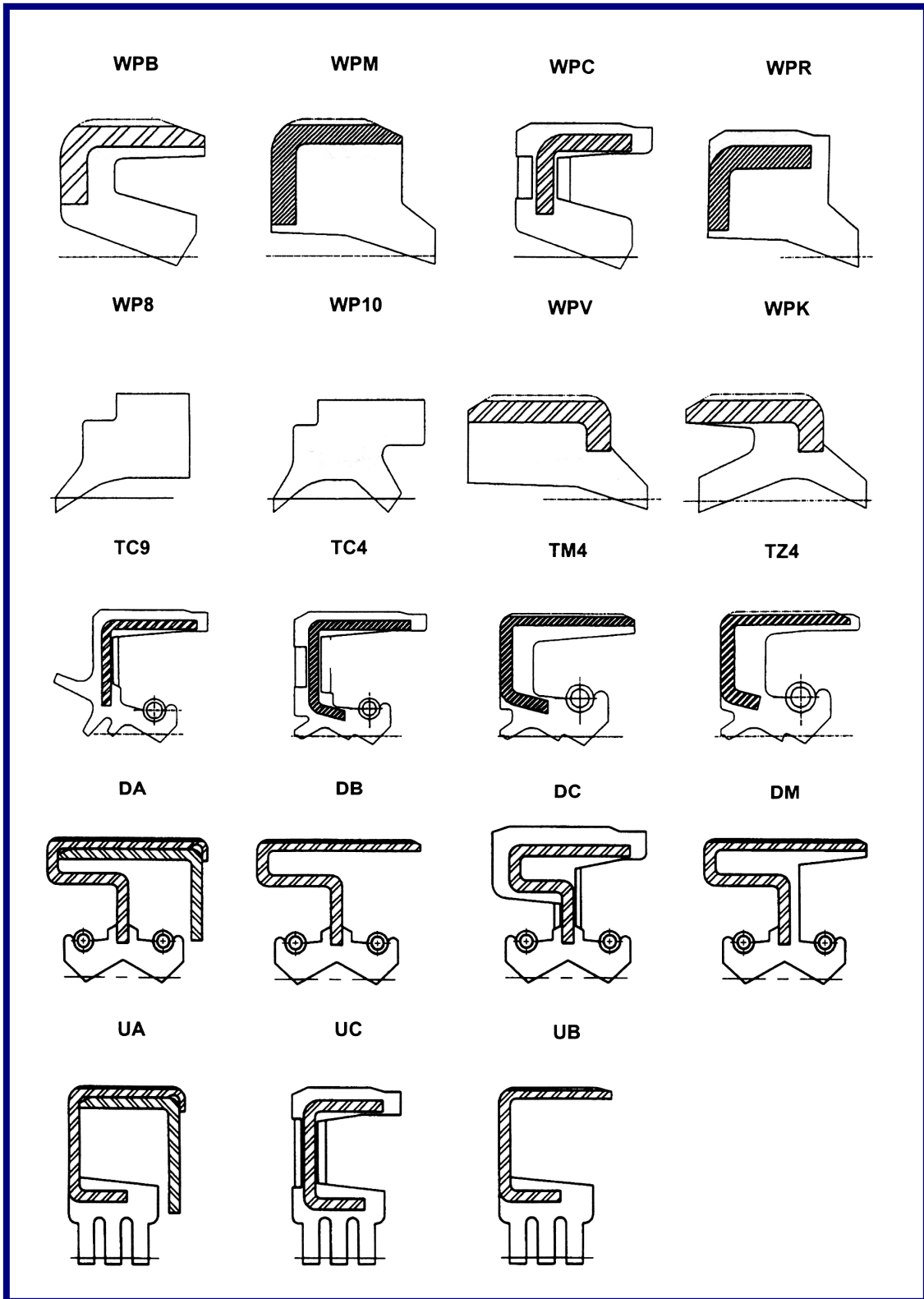
CORPORATE - WEST COAST SALES
47655 Warm Springs Blvd
Fremont, CA 94539
Toll Free: (800) 808-0348
Phone: (510) 623-1688

MIDWEST SALES - DISTRIBUTION
2800 Galvin Drive
Elgin, IL 60124
Toll Free: (877) 808-0348
Phone: (847) 836-8200



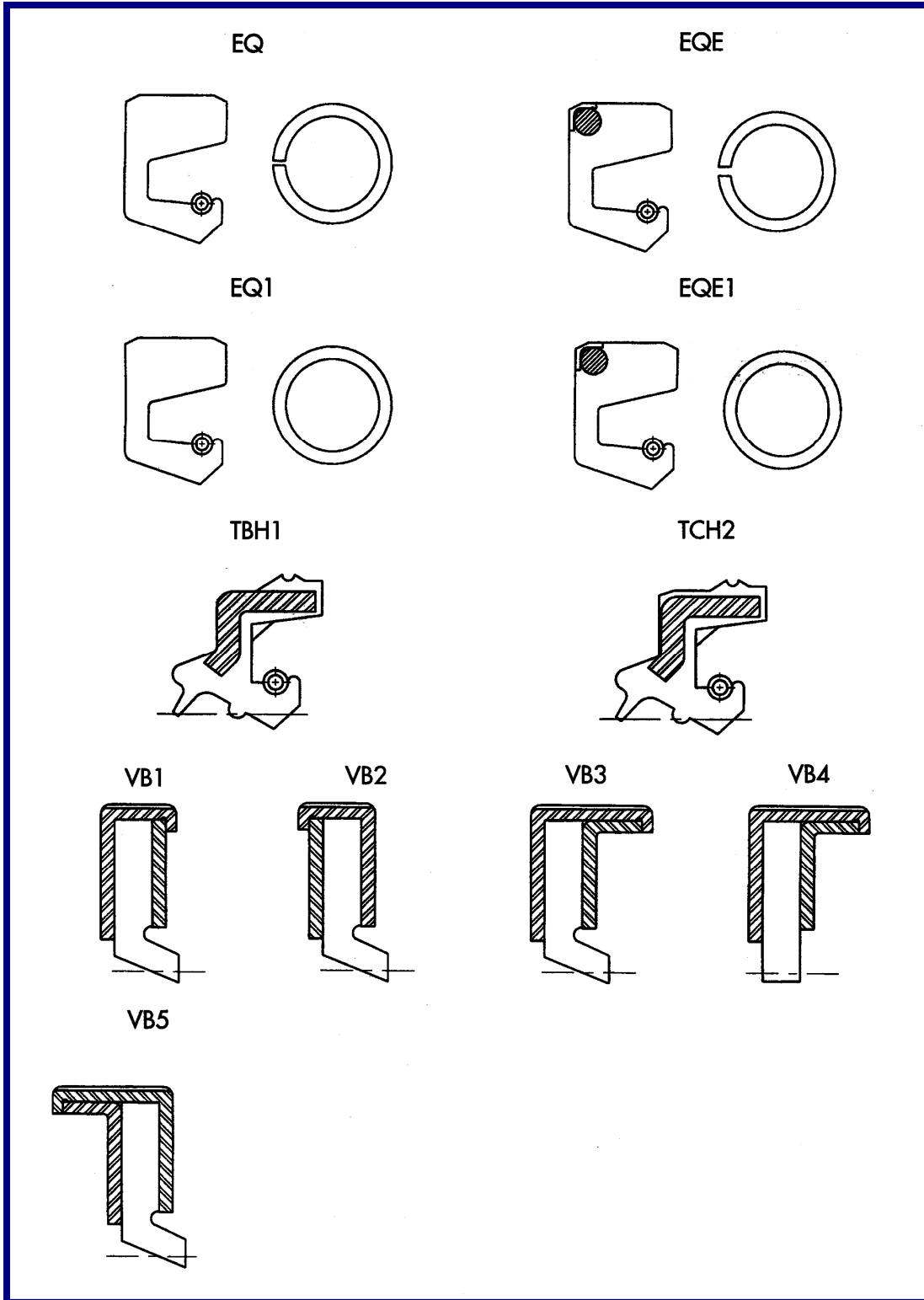
CORPORATE - WEST COAST SALES
47655 Warm Springs Blvd
Fremont, CA 94539
Toll Free: (800) 808-0348
Phone: (510) 623-1688

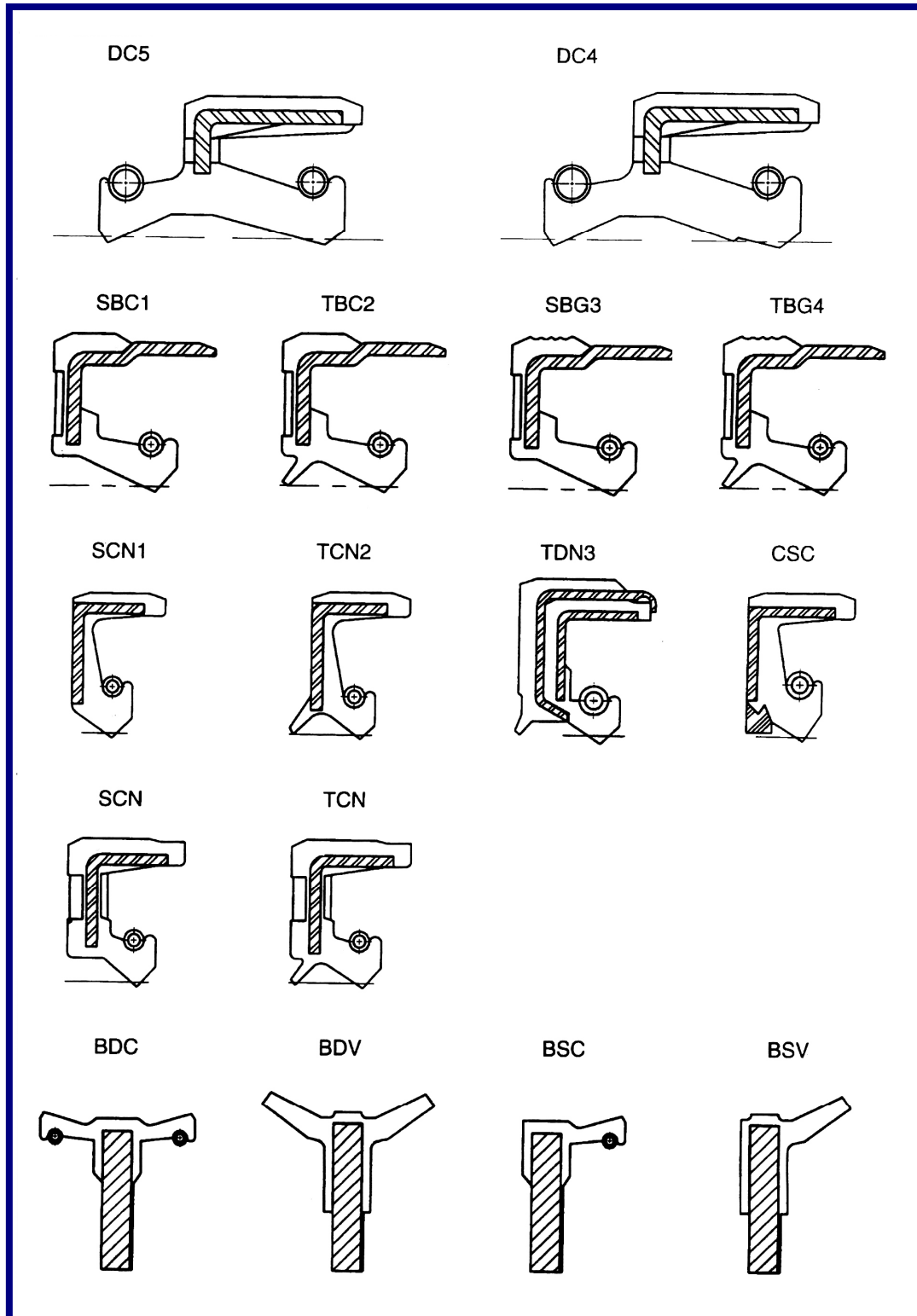
MIDWEST SALES - DISTRIBUTION
2800 Galvin Drive
Elgin, IL 60124
Toll Free: (877) 808-0348
Phone: (847) 836-8200



CORPORATE - WEST COAST SALES
47655 Warm Springs Blvd
Fremont, CA 94539
Toll Free: (800) 808-0348
Phone: (510) 623-1688

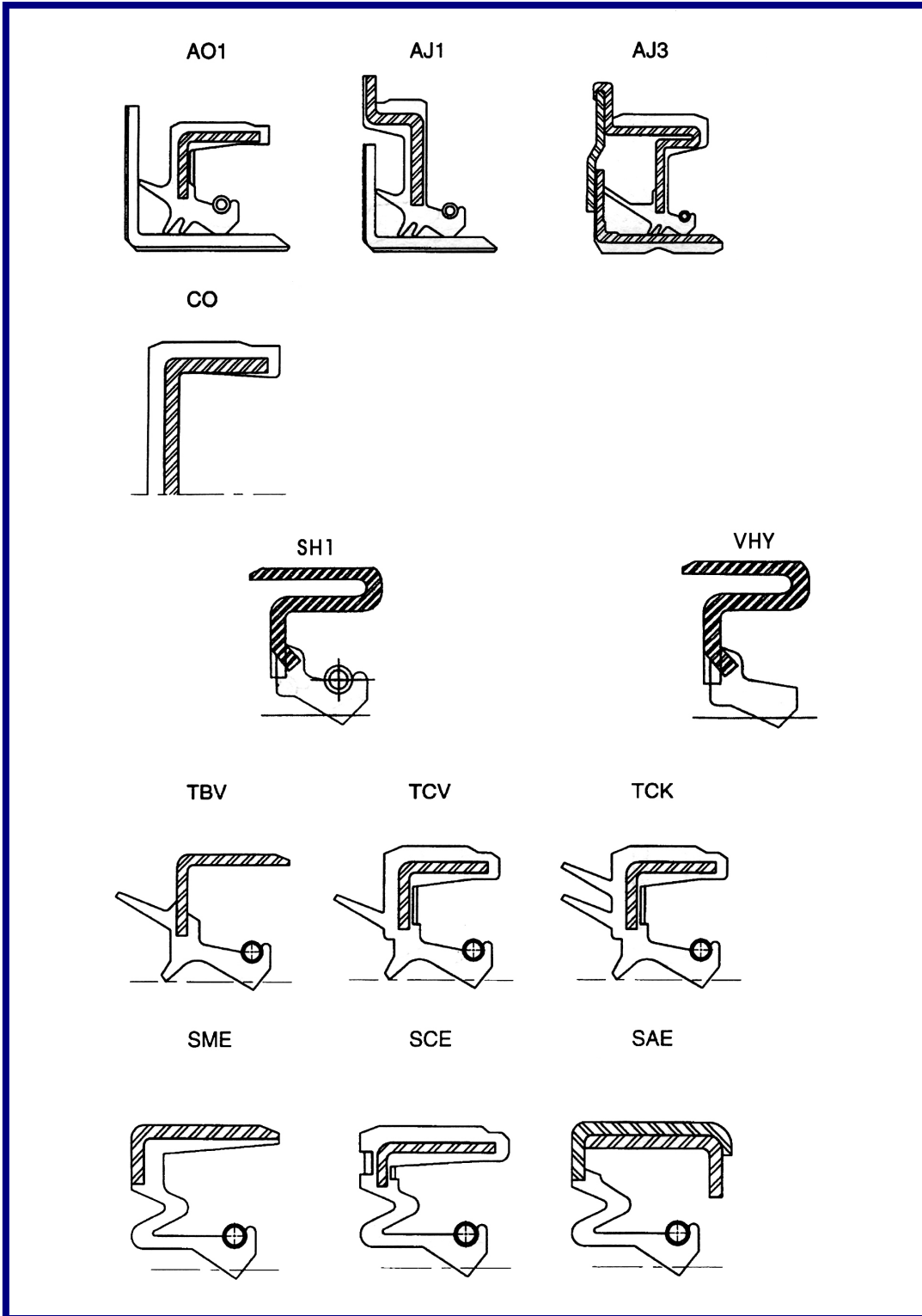
MIDWEST SALES - DISTRIBUTION
2800 Galvin Drive
Elgin, IL 60124
Toll Free: (877) 808-0348
Phone: (847) 836-8200

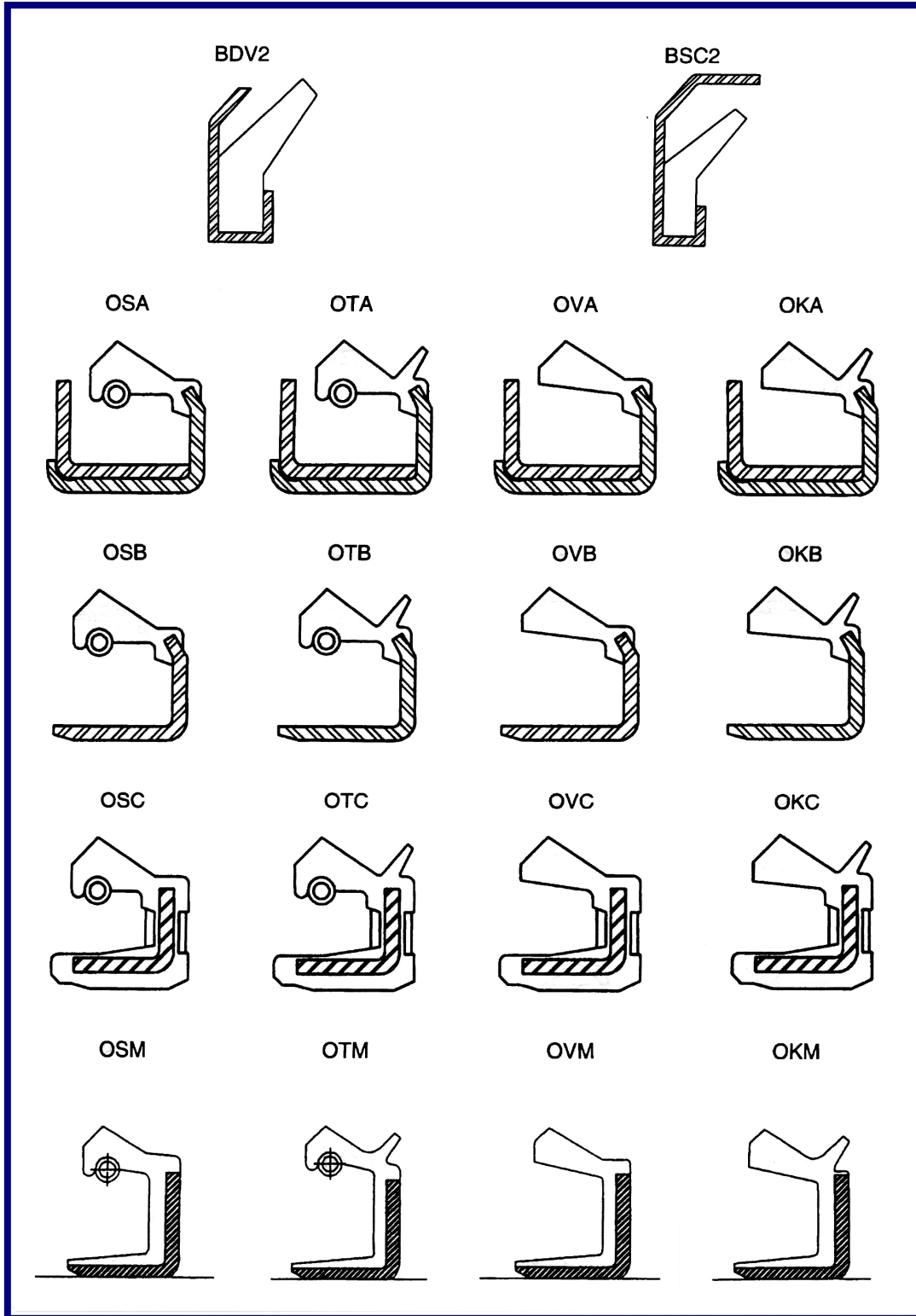




CORPORATE - WEST COAST SALES
47655 Warm Springs Blvd
Fremont, CA 94539
Toll Free: (800) 808-0348
Phone: (510) 623-1688

MIDWEST SALES - DISTRIBUTION
2800 Galvin Drive
Elgin, IL 60124
Toll Free: (877) 808-0348
Phone: (847) 836-8200





CORPORATE - WEST COAST SALES
 47655 Warm Springs Blvd
 Fremont, CA 94539
 Toll Free: (800) 808-0348
 Phone: (510) 623-1688

MIDWEST SALES - DISTRIBUTION
 2800 Galvin Drive
 Elgin, IL 60124
 Toll Free: (877) 808-0348
 Phone: (847) 836-8200



OSF	OTF	OVF	OKF
OUA	OUB	OUC	OUM
**L	**R	**W	

Quality Oil Seals
from **FIT Bearings**

FIT Bearings
A Worldwide Importer

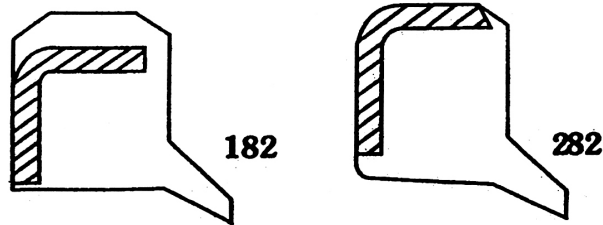
Factory Direct Savings!

CORPORATE - WEST COAST SALES
47655 Warm Springs Blvd
Fremont, CA 94539
Toll Free: (800) 808-0348
Phone: (510) 623-1688

MIDWEST SALES - DISTRIBUTION
2800 Galvin Drive
Elgin, IL 60124
Toll Free: (877) 808-0348
Phone: (847) 836-8200



Wiper seals are made out of nitrile rubber, and are pressed in to open housings. The 182 FIT type metal insert for reinforcement and type 282 has an external metal case.

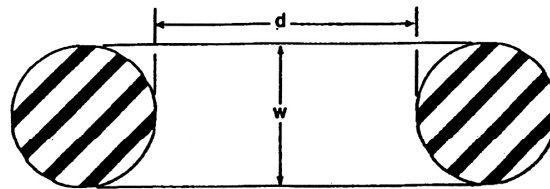


182

282

O-RINGS

O-Rings are one of the most popular sealing products. FIT's existing tooling includes all O-Rings in accordance with AS568A. We also supply metric sizes.



C.V. BOOTS

All C.V. joints are mounted in protective synthetic rubber boots used to retain lubrication and to prevent contaminants from reaching the working surfaces of the joints.

