



10-BOLT, 13.19" BOLT CIRCLE, 11.02" PILOT

	881S	881SC	891SB	891SBC	991SBD	991SBCD
CAPACITY LB.	20,000	20,000	22,500	22,500	25,000	25,000
INNER CONE	218248HM	218248HM	218248HM	218248HM	218248HM	218248HM
INNER CUP	218210HM	218210HM	218210HM	218210HM	218210HM	218210HM
OUTER CONE	212049HM	212049HM	212049HM	212049HM	212049HM	212049HM
OUTER CUP	212011HM	212011HM	212011HM	212011HM	212011HM	212011HM
BOLT	N/A	N/A	N/A	N/A	N/A	N/A
STUD	S1053033	S1053033	S1053033	S1053033	S1053033	S1053033
NUT	N1013571	N1012935	N1013571	N1012935	N1013571	N1012935
SEAL	SE1006979	SE1006979	SE1006979	SE1006979	SE1006979	SE1006979
GASKET	G1012902	G1012902	G1012902	G1012902	G1012902	G1012902
SLEEVE (Opt)	N/A	N/A	N/A	N/A	N/A	N/A
DUST CAP	C1009921	C1009921	C1009921	C1009921	C1009921	C1009921
DIMENSION A	3.255	3.255	3.255	3.255	3.255	3.255
DIMENSION B	2.281	2.281	2.281	2.281	2.281	2.281
DIMENSION C	1.723	1.723	1.723	1.723	1.723	1.723
DIMENSION D	1.661	1.661	1.661	1.661	1.661	1.661
SPINDLE # 1	SP1081914	SP1081914	SP1081914	SP1081914	SP1081914	SP1081914
SPINDLE # 1 (In)	4.500 x 26.500	4.500 x 26.500	4.500 x 26.500	4.500 x 26.500	4.500 x 26.500	4.500 x 26.500
SPINDLE # 2	CUST. SPEC.	CUST. SPEC.	CUST. SPEC.	CUST. SPEC.	CUST. SPEC.	CUST. SPEC.
SPINDLE # 2 (In)	CUST. SPEC.	CUST. SPEC.	CUST. SPEC.	CUST. SPEC.	CUST. SPEC.	CUST. SPEC.

HUB CAPACITIES BASED ON THE FOLLOWING OFFSET: 1.50" POSITIVE

HUB STYLE DESIGNATION

(S) Stud Bolt Version
(B) Brake Version
(H) Heavy Duty

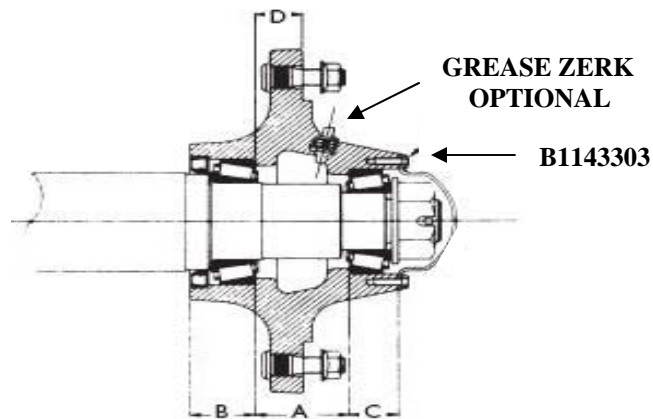
OPTIONAL COMPONENTS

Gasket
Wear Sleeve
Grease Zerk

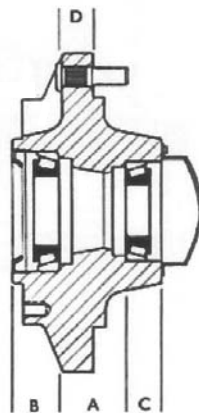


FIT Bearings[®]
The Brand that Fits

HUB DRAWINGS



881S/881SC



891SB/891SC/991SBD/991SBCD

BRAKE BOLT PATTERNS ARE AS FOLLOWS: 891SB, 991SBD, 991SBCD - 10 ON 9.50" (1/2"-20)

CORPORATE - WEST COAST SALES
47655 Warm Springs Blvd
Fremont, CA 94539
Toll Free: (800) 808-0348
Phone: (510) 623-1688

HUB DIVISION SALES - DISTRIBUTION
2800 Galvin Drive
Elgin, IL 60124
Toll Free: (877) 808-0348
Phone: (847) 836-8200