

ISO 9001:2000	TYPE			SPECIFICATIONS		
Part Number	Industry	Bolt	Style	Bolt Circle	Pilot	Capacity
				inch		lbs.
104	AGRICULTURE	4	DRILL AND TAP	5.00	3.62	1000
124						1250
411						1250
669						1250
633						1500
633H						TBA
736S	AGRICULTURE	5	DRIVE-IN STUD	5.50	4.00	1650
511			DRILL AND TAP			1800
205S			DRIVE-IN STUD			2000
255S						2500
517S						2760
719S						2760
206S	AGRICULTURE	6	DRIVE-IN STUD	6.00	4.62	2000
256S			2500			
709			DRILL AND TAP			2760
809			2760			
306S	AGRICULTURE	6	DRIVE-IN STUD	6.00	4.62	3000
670			3230			
356			DRILL AND TAP			3500
356B			3500			
356S	AGRICULTURE	6	DRIVE-IN STUD	6.00	4.62	3500
356SB			3500			
888			DRILL AND TAP			3560
888S			DRIVE-IN STUD			3560

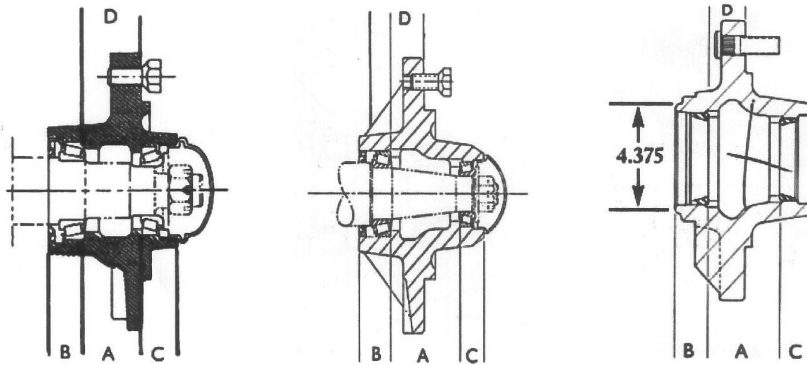
ALL SPINDLES ARE MADE IN THE U.S.A.
FOR DIMENSIONS, PLEASE REFER TO FIT'S HUB CATALOG

HUB STYLE DESIGNATION

(S) Stud Bolt Version
(B) Brake Version
(H) Heavy Duty

OPTIONAL COMPONENTS

Gasket
Wear Sleeve
Grease Zerk



ISO 9001:2000	TYPE			SPECIFICATIONS		
Part Number	Industry	Bolt	Style	Bolt Circle	Pilot	Capacity
				inch		lbs.
889B	AGRICULTURE	6	DRILL AND TAP	6.00	4.62	3560
798B						3500
810						3500
611						3500
783	AGRICULTURE	6	DRILL AND TAP	6.00	4.62	4570
797B			DRILL AND TAP			4570
890S			DRIVE-IN STUD			4570
887SB			DRIVE-IN STUD			4570
803	AGRICULTURE	6	DRILL AND TAP	6.00	4.62	4910
875						4910
867B						4910
614						5000
458	AGRICULTURE	8	DRILL AND TAP	8.00	6.00	4500
458S			DRIVE-IN STUD			4500
458SB			DRIVE-IN STUD			4500
778			DRILL AND TAP			4910
813SB	AGRICULTURE	8	DRIVE-IN STUD	8.00	6.00	4910
508S						5000
508SB						5000
819SB						5790
821	AGRICULTURE	8	DRILL AND TAP	8.00	6.00	5790
821S			DRIVE-IN STUD			5790
608S			DRIVE-IN STUD			6000
608SB			DRIVE-IN STUD			6000

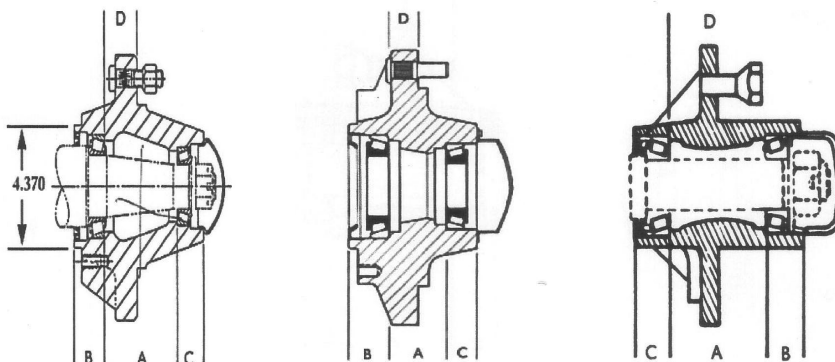
FIT'S HUB PRICES ARE EXTREMELY COMPETITIVE
FOR DIMENSIONS, PLEASE REFER TO FIT'S HUB CATALOG

HUB STYLE DESIGNATION

(S) Stud Bolt Version
 (B) Brake Version
 (H) Heavy Duty

OPTIONAL COMPONENTS

Gasket
 Wear Sleeve
 Grease Zerk



ISO 9001:2000	TYPE			SPECIFICATIONS		
Part Number	Industry	Bolt	Style	Bolt Circle	Pilot	Capacity
				inch		lbs.
758S	AGRICULTURE	8	DRIVE-IN STUD	8.00	6.00	7500
758SB						7500
808			DRILL AND TAP			8000
808B						8000
808S			DRIVE-IN STUD			8000
808SB		8000				
871S	AGRICULTURE	10	DRIVE-IN STUD	11.25	8.69	12000
871SB						12000
871SC						12000
873S						15000
873SB	AGRICULTURE	10	DRIVE-IN STUD	11.25	8.69	15000
873SC						15000
881S				13.19	11.02	20000
881SC						20000
891SB	AGRICULTURE	10	DRIVE-IN STUD	13.19	11.02	22500
891SC						22500
991SBD						25000
991SBCD						25000
440-1TB	TRAILER	4	DRILL AND TAP	4.00	2.50	1000
440S-1TB			DRIVE-IN STUD			1000
440-1SB			DRILL AND TAP			1000
440S-1SB			DRIVE-IN STUD			1200
440-1-15TB			DRILL AND TAP			1200
440S-1-15TB			DRIVE-IN STUD			1200

ASK YOUR SALES REPRESENTATIVE REGARDING FIT'S FREE FREIGHT POLICY
 FOR DIMENSIONS, PLEASE REFER TO FIT'S HUB CATALOG

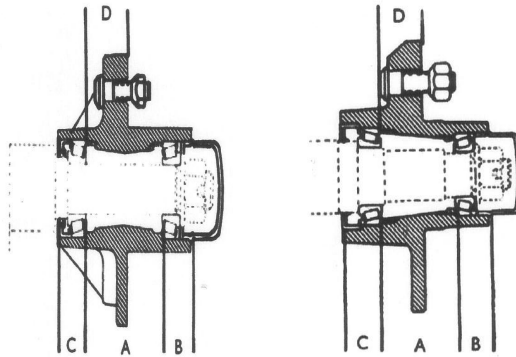
HUB STYLE DESIGNATION

(S) Stud Bolt Version
 (B) Brake Version
 (H) Heavy Duty

200

OPTIONAL COMPONENTS

Gasket
 Wear Sleeve
 Grease Zerk



ALL 655S and 865S
Hub Drawings TBA

ISO 9001:2000	TYPE			SPECIFICATIONS		
Part Number	Industry	Bolt	Style	Bolt Circle	Pilot	Capacity
				inch		lbs.
440-116TB	TRAILER	4	DRILL AND TAP	4.00	2.50	1000
440S-116TB			DRIVE-IN STUD			1000
440-116SB			DRILL AND TAP			1000
440S-116SB			DRIVE-IN STUD			1200
440-116-15TB			DRILL AND TAP			1200
440S-116-15TB			DRIVE-IN STUD			1200
545-1TB	TRAILER	5	DRILL AND TAP	4.50	2.50	1000
545S-1TB			DRIVE-IN STUD			1000
545-1SB			DRILL AND TAP			1000
545S-1SB			DRIVE-IN STUD			1200
545-1-15TB			DRILL AND TAP			1200
545S-1-15TB	TRAILER	5	DRIVE-IN STUD	4.50	2.50	1200
545-116TB			DRILL AND TAP			1000
545S-116TB			DRIVE-IN STUD			1000
545-116SB			DRILL AND TAP			1000
545S-116SB			DRIVE-IN STUD			1200
545-116-15TB	TRAILER	5	DRILL AND TAP	4.50	2.50	1200
545S-116-15TB			DRIVE-IN STUD			1200
545S-138TB			DRIVE-IN STUD			1750
545S-138VB			DRIVE-IN STUD			1750
655S-21TB	TRAILER	6	DRIVE-IN STUD	5.50	4.27	2600
656S-22TB						2600
865S-21TB	TRAILER	8	DRIVE-IN STUD	6.50	4.74	3500
865S-22TB						3500

FIT OFFERS ONE OF THE NICEST HUBS IN THE MARKET
FOR DIMENSIONS, PLEASE REFER TO FIT'S HUB CATALOG

HUB STYLE DESIGNATION

(S) Stud Bolt Version
(B) Brake Version
(H) Heavy Duty

201

OPTIONAL COMPONENTS

Gasket
Wear Sleeve
Grease Zerk