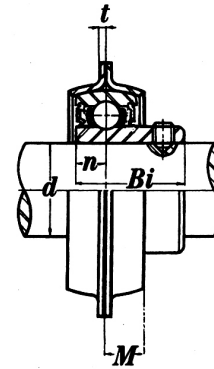
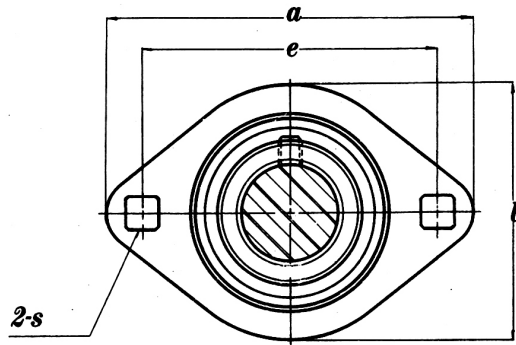




FIT Bearings®
The Brand that Fits

MOUNTED UNITS
SBPFL 200 Pressed Housing Flange Units
(2-Bolt, Oval)
Setscrew Type, Light Duty



ISO 9001:2000	DIMENSIONS													BOLT	COMPONENTS		WT.
Part Number	d	d	a	e	M	b	s	t	n	Bi	L	K	Thread Size	Bearing Number	Housing Number	lbs	
	inch	mm	inch														
SBPFL201		12												1/4-28UNF	SB201G	PFL201	4.41
201-8	1/2														201-8G		
202		15	3.2	2.5	0.3	2.3	0.3	0.1	0.2	0.9	1.1	1.1			SB202G	PFL202	
202-10	5/8														202-10G		
203		17												5/16-24UNF	SB203G	PFL203	0.53
203-11	11/16														203-11G		
SBPFL204-12	3/4		3.5	2.8	0.3	2.6	0.4	0.1	0.3	0.1	1.2	1.3			SB204-12G	PFL204	
204		20												204G			
SBPFL205-14	7/8													5/16-24UNF	SB205-14G	PFL205	0.84
205-15	15/16		3.8	3.0	0.4	3.0	0.4	0.1	0.3	0.1	1.2	1.5			205-15G		
205-16	1														205-16G		
SBPFL206-18	1 1/8													3/8-24UNF	SB206-18G	PFL206	0.84
206		30	4.4	3.5	0.4	3.3	0.4	0.1	0.3	1.2	1.4	1.8			206G		
206-19	1 3/16														206-19G		
206-20	1 1/4														206-20G		
SBPFL207-20	1 1/4													3/8-24UNF	SB207-20G	PFL207	1.41
207-21	1 5/16														207-21G		
207-22	1 3/8		4.8	3.9	0.4	3.7	0.4	0.1	0.3	1.3	1.5	2.2			207-22G		
207		35													207		
207-23	1 7/16														207-23G		

WHETHER BEARINGS OR SPECIAL ORDER PRODUCTS, FIT CAN SUPPLY YOUR NEEDS

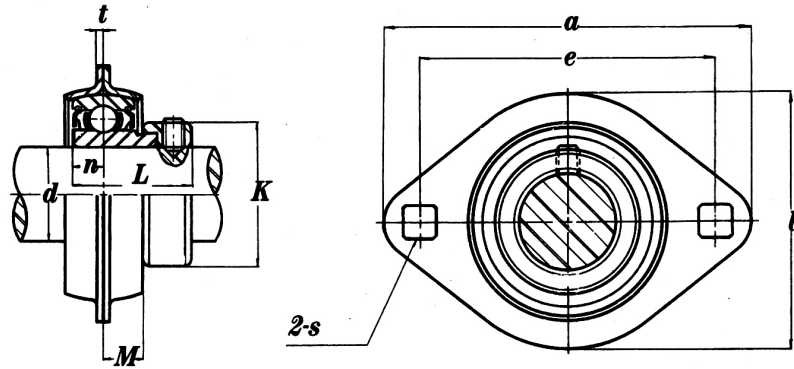
CORPORATE - WEST COAST SALES
47655 Warm Springs Blvd
Fremont, CA 94539
Toll Free: (800) 808-0348
Phone: (510) 623-1688

MIDWEST SALES - DISTRIBUTION
2800 Galvin Drive
Elgin, IL 60124
Toll Free: (877) 808-0348
Phone: (847) 836-8200



FIT Bearings®
The Brand that Fits

MOUNTED UNITS
SAPFL 200 Pressed Housing Flange Units
(2-Bolt, Oval)
Eccentric Locking Collar Type, Light Duty

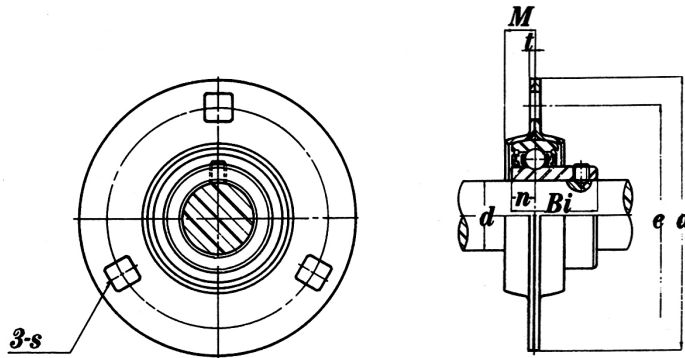


ISO 9001:2000	DIMENSIONS												BOLT	COMPONENTS		WT.	
Part Number	d	d	a	e	M	b	s	t	n	L	K	Bi	Thread Size	Bearing Number	Housing Number	lbs	
	inch	mm	inch														
SAPFL201		12												1/4-28UNF	SA201G	PFL201	0.49
201-8	1/2														SA202G	PFL202	
202		15	3.2	2.5	0.3	2.3	0.3	0.1	0.2	1.1	1.1	0.9			SA203G	PFL203	
202-10	5/8														202-10G		
203		17													203-11G		
203-11	11/16																
SAPFL204-12	3/4		3.5	2.8	0.3	2.6	0.4	0.1	0.3	1.2	1.3	1.0	5/16-24UNF	SA204-12G	PFL204	0.55	
204		20												204G			
SAPFL205-14	7/8		3.8	3.0	0.4	2.6	0.4	0.1	0.3	1.2	1.5	1.1	5/16-24UNF	SA205-14G	PFL205	0.71	
205-15	15/16													205-15G			
205-16	1													205-16G			
SAPFL206-18	1 1/8		4.4	3.5	0.4	3.3	0.4	0.1	0.3	1.4	1.8	1.2	3/8-24UNF	SA206-18G	PFL206	0.90	
206		30												206G			
206-19	1 3/16													206-19G			
206-20	1 1/4													206-20G			
SAPFL207-20	1 1/4		4.8	3.9	0.4	3.7	0.4	0.1	0.3	1.5	2.2	1.3	3/8-24UNF	SA207-20G	PFL207	1.52	
207-21	1 5/16													207-21G			
207-22	1 3/8													207-22G			
207		35												207G			
207-23	1 7/16													207-23G			

FIT GOES THE EXTRA MILE FOR OUR CUSTOMERS

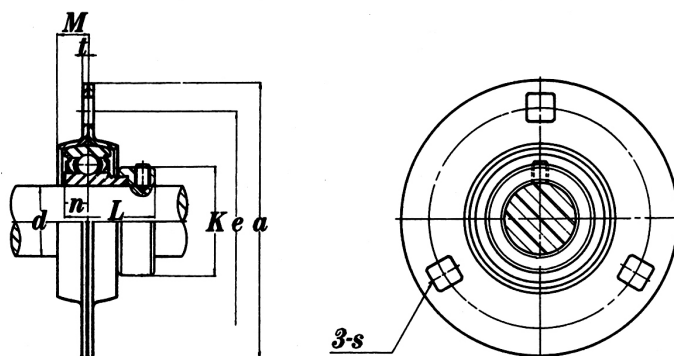
CORPORATE - WEST COAST SALES
47655 Warm Springs Blvd
Fremont, CA 94539
Toll Free: (800) 808-0348
Phone: (510) 623-1688

MIDWEST SALES - DISTRIBUTION
2800 Galvin Drive
Elgin, IL 60124
Toll Free: (877) 808-0348
Phone: (847) 836-8200



ISO 9001:2000	DIMENSIONS											BOLT	COMPONENTS		WT.	
Part Number	d	d	a	e	M	t	s	n	Bi	L	K	Thread Size	Bearing Number	Housing Number	lbs	
	inch	mm	inch													
SBPF201		12											1/4-28UNF	SB201G	PF203	0.60
201-8	1/2													201-8G		
202		15	3.23	2.52	0.28	0.08	0.30	0.24	0.87	1.13	1.12			202G		0.60
202-10	5/8												202-10G			
203		17												203G	0.57	
203-11	11/16												203-11G			
SBPF204-12	3/4		3.58	2.78	0.31	0.08	0.35	0.28	0.98	1.22	1.31	5/16-24UNF	SB204-12G	PF204	0.66	
204		20											204G			
SBPF205-14	7/8												SB205-14G	PF205	1.85	
205-15	15/16											5/16-24UNF	205-15G			
205		25	3.75	3.00	0.36	0.08	0.35	0.30	1.06	1.22	1.50		205G			
205-16	1												205-16G			
SBPF206-18	1 1/8													SB206-18G	PF206	1.37
206		30										3/8-24UNF	206G			
206-19	1 3/16		4.44	3.53	0.36	0.10	0.41	0.32	1.14	1.41	1.75		206-19G			
206-20	1 1/4												206-20G			
SBPF207-20	1 1/4													SB207-20G	PF207	1.81
207-21	1 5/16											3/8-24UNF	207-21G			
207-22	1 3/8		4.80	3.94	0.39	0.10	0.41	0.35	1.26	1.53	2.19		207-22G			
207		35											207G			
207-23	1 7/16												207-23G			

FIT STRIVES TO BECOME OUR CUSTOMERS' #1 OVERSEAS SUPPLIER



ISO 9001:2000	DIMENSIONS											BOLT	COMPONENTS		WT.
Part Number	d	d	a	e	M	t	s	n	Bi	L	K	Thread Size	Bearing Number	Housing Number	lbs
	inch	mm	inch												
SAPF201 201-8	1/2	12										1/4-28UNF	SA201G 201-8G	PF203	0.64
202 202-10	5/8	15	3.23	2.52	0.28	0.08	0.30	0.24	0.87	1.13	1.12		202G 202-10G		0.64
203 203-11	11/16	17											203G 203-11G		0.62
SAPF204-12 204	3/4	20	3.58	2.78	0.31	0.08	0.35	0.28	0.98	1.22	1.31	5/16-24UNF	SA204-12G 204G	PF204	0.68
SAPF205-14 205-15 205 205-16	7/8 15/16 1	25	3.75	3.00	0.36	0.08	0.35	0.30	1.06	1.22	1.50	5/16-24UNF	SA205-14G 205-15G 205G 205-16G	PF205	0.90
SAPF206-18 206 206-19 206-20	1 1/8 1 3/16 1 1/4	30	4.44	3.53	0.36	0.10	0.43	0.32	1.14	1.41	1.75	3/8-24UNF	SA206-18G 206G 206-19G 206-20G	PF206	1.48
SAPF207-20 207-21 207-22 207 207-23	1 1/4 1 5/16 1 3/8 1 7/16	35	4.80	3.94	0.39	0.10	0.43	0.33	1.26	1.53	2.19	3/8-24UNF	SA207-20G 207-21G 207-22G 207G 207-23G	PF207	1.48

FIT'S SHANGHAI QUALITY CONTROL CENTER HAS STATE-OF-THE-ART TESTING EQUIPMENT