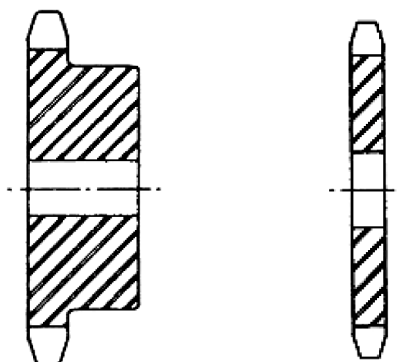


ISO 9001:2000	STYLE	TEETH	DIA.	BORE		HUB		WT.	ISO 9001:2000	STYLE	BORE	WT.
Part Number	Bore	Quantity	Outside	Std.	Max.	Dia.	LTB	lbs	Part Number	Bore	Std.	lbs
			inch									
41B6	B	6	1.170	3/8	3/8	23/32	7/8	0.07	—	—	—	—
41B7		7	1.340		3/8	3/4		0.10				
41B8		8	1.510	1/2	1/2	63/64		0.19				
41B9		9	1.670		5/8	1 1/8		0.20				
41B10		10	1.840		3/4	1 1/4		0.27				
41B11	B	11	2.000	1/2	7/8	1 7/16	7/8	0.35	—	—	—	—
41B12		12	2.170		15/16	1 9/16		0.44				
41B13		13	2.330		1	1 3/4		0.50				
41B14		14	2.490		1 1/4	1 3/4		0.57				
41B15		15	2.650	1/2	1 5/16	1 29/32	7/8	0.72	41A15	A	5/8	0.28
41B16	B	16	2.810	5/8	1 3/8	2 1/16	7/8	0.91	41A16	A	5/8	0.34
41B17		17	2.970	5/8	1 1/2	2 15/64	1	1.09	41A17			0.36
41B18		18	3.140		1 5/8	2 3/8		1.25	41A18			0.44
41B19		19	3.300		1 3/4	2 15/32		1.49	41A19			0.46
41B20		20	3.460		1 7/8	2 3/4		1.64	41A20			0.52
41B21	B	21	3.620		5/8	1 7/8		2 7/8	1	1.81	41A21	A
41B22		22	3.780	2		3	1.93	41A22		0.66		
41B23		23	3.940	2 1/4		3 3/16	2.25	41A23		0.72		
41B24		24	4.100	5/8	2 1/4	3 1/4	2.33	41A24		0.82		
41B25		25	4.260				2.46	41A25		0.88		

PLEASE ASK YOUR SALES REPRESENTATIVE REGARDING FIT'S SOURCING CAPABILITIES



ISO 9001:2000	STYLE	TEETH	DIA.	BORE		HUB		WT.	ISO 9001:2000	STYLE	BORE	WT.				
Part Number	Bore	Quantity	Outside	Std.	Max.	Dia.	LTB	lbs	Part Number	Bore	Std.	lbs				
			inch													
41B26	B	26	4.420	5/8	2 1/4	3 1/4	1	2.50	41A26	A	5/8	0.94				
41B27		27	4.580					2.56	41A27			1.00				
41B28		28	4.740					2.64	41A28			1.08				
41B30		30	5.060					2.80	41A30			1.20				
41B32		32	5.380					2.96	41A32			1.44				
41B35	B	35	5.860	5/8	2 3/8	3 1/4	1	3.12	41A35	A	19/32	1.70				
41B36		36	6.020					3.32	41A36			1.84				
41B40		40	6.650					3/4	3 1/4			1 1/16	4.06	41A40	23/32	2.22
41B42		42	6.970					3/4	3 1/2			1 1/16	4.10	41A42	23/32	2.50
41B45		45	7.450										4.18	41A45		2.52
41B48	B	48	7.930	3/4	2 3/8	3 1/2	1 1/16	4.92	41A48	A	23/32	2.92				
41B54		54	8.880					5.68	41A54			3.54				
41B60		60	9.840					6.78	41A60			4.60				
41B70		70	11.430					2 3/4	4			1 3/16	9.54	41A70	6.22	
41B72		72	11.750										9.64	41A72	6.32	
41B80	B	80	13.030	3/4	2 3/4	4	1 3/16	11.54	41A80	A	23/32	8.46				
41B84		84	13.660					12.20	41A84			9.12				
41B96		96	15.570	1				4	1 3/16			14.86	41A96	15/16	11.84	
41B112		112	18.120									19.16	41A112		15.84	

WHETHER BEARINGS OR SPECIAL ORDER PRODUCTS, FIT CAN SUPPLY YOUR NEEDS

CORPORATE - WEST COAST SALES
 47655 Warm Springs Blvd
 Fremont, CA 94539
 Toll Free: (800) 808-0348
 Phone: (510) 623-1688

MIDWEST SALES - DISTRIBUTION
 2800 Galvin Drive
 Elgin, IL 60124
 Toll Free: (877) 808-0348
 Phone: (847) 836-8200