



10-BOLT, 11.25" BOLT CIRCLE, 8.69" PILOT

	871S	871SB	871SC	873S	873SB	873SC
CAPACITY LB.	12,000	12,000	12,000	15,000	15,000	15,000
INNER CONE	39585	39585	39585	33275	33275	33275
INNER CUP	39520	39520	39520	33462	33462	33462
OUTER CONE	460	460	460	460	460	460
OUTER CUP	453A	453A	453A	453A	453A	453A
BOLT	N/A	N/A	N/A	N/A	N/A	N/A
STUD	S1053033	S1053033	S1053033	S1053033	S1053033	S1053033
NUT	N1013571	N1013571	N1012935	N1013571	N1013571	N1012935
SEAL	SE1006497	SE1006497	SE1006497	SE1046275	SE1046275	SE1046275
GASKET	G1012901	G1012901	G1012901	G1012901	G1012901	G1012901
SLEEVE (Opt)	N/A	N/A	N/A	N/A	N/A	N/A
DUST CAP	C1009983	C1009983	C1009983	C1009983	C1009983	C1009983
DIMENSION A	2.813	2.813	2.813	2.813	2.813	2.813
DIMENSION B	1.753	1.753	1.753	1.753	1.753	1.753
DIMENSION C	1.256	1.256	1.256	1.256	1.256	1.256
DIMENSION D	0.006	0.006	0.006	0.006	0.006	0.006
SPINDLE # 1	SP1081309	SP1081309	SP1081309	SP1086799	SP1086799	SP1086799
SPINDLE # 1 (In)	3.125 x 17.375	3.125 x 17.375	3.125 x 17.375	3.375 x 17.375	3.375 x 17.375	3.375 x 17.375
SPINDLE # 2	CUST. SPEC.	CUST. SPEC.	CUST. SPEC.	CUST. SPEC.	CUST. SPEC.	CUST. SPEC.
SPINDLE # 2 (In)	CUST. SPEC.	CUST. SPEC.	CUST. SPEC.	CUST. SPEC.	CUST. SPEC.	CUST. SPEC.

HUB CAPACITIES BASED ON THE FOLLOWING OFFSET: 0.00"

HUB STYLE DESIGNATION

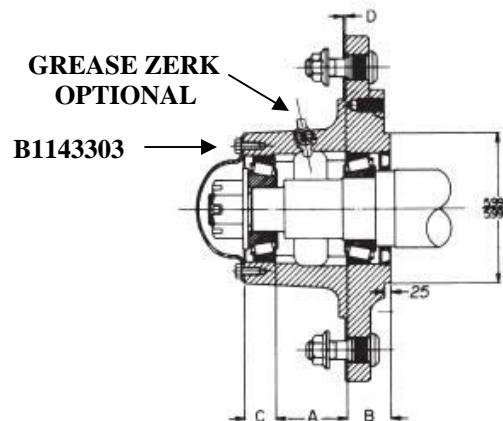
(S) Stud Bolt Version
(B) Brake Version
(G) Grease Zerk

OPTIONAL COMPONENTS

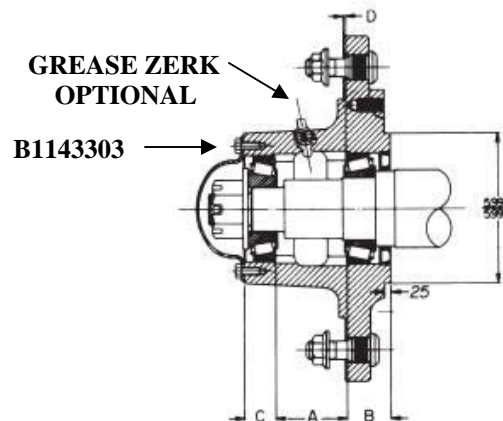
Gasket
Wear Sleeve
Grease Zerk



10-BOLT, 11.25" BOLT CIRCLE, 8.69" PILOT



871S/871SB/871SC (Add G for grease zerk)



873S/873SB/873SC (Add G for grease zerk)

BRAKE BOLT PATTERNS ARE AS FOLLOWS: 871SB, 873SB - 6 ON 8.25" (1/2"-20)

CORPORATE - WEST COAST SALES
47655 Warm Springs Blvd
Fremont, CA 94539
Toll Free: (800) 808-0348
Phone: (510) 623-1688

HUB DIVISION SALES - DISTRIBUTION
2800 Galvin Drive
Elgin, IL 60124
Toll Free: (877) 808-0348
Phone: (847) 836-8200