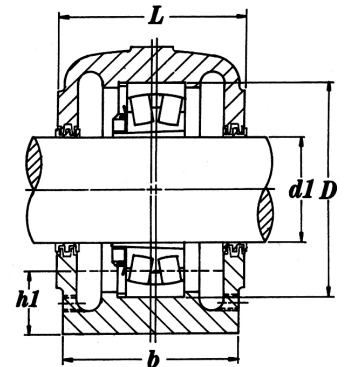
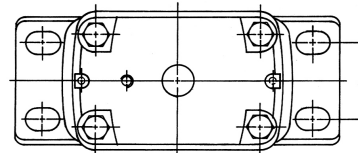
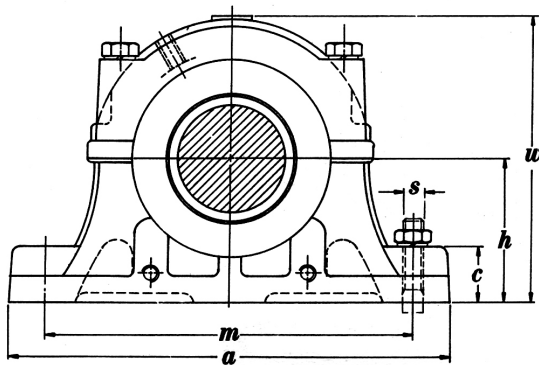


ISO 9001:2000	DIMENSIONS										
Part Number	d	a	b	c	h	h1*	L	w	n	m	
	inch	inch								max.	min.
SDAF23152K	9 1/2	35.000	13.125	3.750	10.250	3.375	13.750	20.875	8.750	30.500	29.000
SDAF23156K	9 15/16	38.250	14.750	3.375	12.000	4.750	15.375	23.438	9.000	33.500	32.750
23160K	10 15/16									33.500	32.750
SDAF23164K	11 15/16	41.750	15.750	4.500	12.813	4.375	16.250	25.750	10.500	36.500	35.000
23168K	12 7/16	43.750	17.750	5.000	14.000	4.938	18.250	27.875	10.750	38.250	36.750
SDAF23172K	13 7/16	46.000	17.125	5.250	14.500	5.000	17.500	28.875	11.000	40.750	39.250
23176K	13 15/16									40.750	39.250
SDAF23180K	15	48.750	18.750	5.500	15.500	5.125	19.250	30.500	12.250	43.500	41.750
SDAF23184K	15 3/4	52.000	21.000	5.500	17.000	6.000	21.750	33.750	14.500	46.125	44.375
23188K	16 1/2									46.125	44.375
SDAF23192K	17	54.250	21.625	5.750	18.000	6.000	22.250	35.750	15.000	48.875	47.125
23196K	18									48.875	47.125

**FIT'S SHANGHAI QUALITY CONTROL CENTER HAS STATE-OF-THE-ART TESTING EQUIPMENT**

**CORPORATE - WEST COAST SALES**  
47655 Warm Springs Blvd  
Fremont, CA 94539  
Toll Free: (800) 808-0348  
Phone: (510) 623-1688

**MIDWEST SALES - DISTRIBUTION**  
2800 Galvin Drive  
Elgin, IL 60124  
Toll Free: (877) 808-0348  
Phone: (847) 836-8200



ISO 9001:2000	BOLT	BOLT LOCK	BRG	HOUSING ONLY	ADAPTER SLEEVE	TRP SEAL RNG (Qty 2)	LOC RING (Qty. 2)	WT.	
Part Number	S (4-Bolt) inch	Quantity	Part Number					lbs	
SDAF23152K	1 5/8-8UN	4	23152K	SDAF152K	SNP 3152	ER 937	A 5679	1050	
SDAF23156K	1 5/8-8UN		23156K	SDAF156K	SNP 3156	ER 940	A 8967	1300	
23160K			23160K	160K	SNP 3160	ER 858	A 8975	1350	
SDAF23164K	1 7/8-8UN		23164K	SDAF164K	SNP 3164	ER 942	A 8970	1900	
23168K	2-8UN	4	23168K	168K	SNP 3168	ER 944	A 8977	2550	
SDAF23172K	2-8UN		23172K	SDAF172K	SNP 3172	ER 872	A 8974	2600	
23176K			23176K	176K	SNP 3176	ER 875	A 8978	2600	
SDAF23180K	2 1/4		23180K	SDAF180K	SNP 3180	ER 847	A 8979	3000	
SDAF23184K	2 1/4	4	23184K	SDAF184K	SNP 3184	ER 914	A 8984	4400	
23188K			23188K	188K	SNP 3188	ER 947	A 8976	4600	
SDAF23192K	2 1/2		4	23192K	SDAF192K	SNP 3192	ER 838	A 8990	5100
23196K				23196K	196K	SNP 3196	ER 954		5200

**CUSTOMERS ARE ALWAYS ENCOURAGED TO VISIT FIT'S SHANGHAI QUALITY CONTROL CENTER**