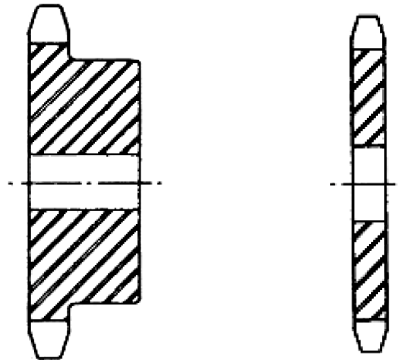


ISO 9001:2000	STYLE	TEETH	DIA.	BORE		HUB		WT.	ISO 9001:2000	STYLE	BORE	WT.		
Part Number	Bore	Quantity	Outside	Std.	Max.	Dia.	LTB	lbs	Part Number	Bore	Std. inch	lbs		
			inch											
50B8	B	8	1.880	5/8	5/8	1 3/8	1	0.25	—	—	—	—		
50B9		9	2.090		3/4			0.36						
50B10		10	2.300		7/8	1 9/16		0.48						
50B11		11	2.500		1	1 3/4		0.64						
50B12		12	2.710		1 1/4	1 63/64		1					0.83	50A12
50B13	B	13	2.910	5/8	1 5/16	1 7/8	1	0.88	50A13	A	5/8	0.42		
50B14		14	3.110		1 7/16	2 1/8		1.13	50A14			0.50		
50B15		15	3.320		1 1/2	2 3/8		1.34	50A15			0.54		
50B16		16	3.520		1 3/4	2 1/2		1.51	50A16			0.68		
50B17		17	3.720		1 7/8	2 11/16		1.00	50A17			0.76		
50B18	B	18	3.920	5/8	1 7/8	2 7/8	1	1.74	50A18	A	5/8	0.86		
50B19		19	4.120		2	3		2.00	50A19			0.94		
50B20		20	4.320	3/4	2	3	1	2.22	50A20		3/4	1.06		
50B21		21	4.520					2.28	50A21			1.12		
50B22		22	4.720					2.40	50A22			1.30		
50B23	B	23	4.920	3/4	2	3	1	2.56	50A23	A	23/32	1.44		
50B24		24	5.120					3	1 1/4			2.66	50A24	1.50
50B25		25	5.320									3.30	50A25	1.62
50B26		26	5.520									3.40	50A26	1.72
50B27		27	5.920									3.44	50A27	1.96
50B28	28	5.920	3 1/4	3.80	50A28	2.04								

CUSTOMERS ARE ALWAYS ENCOURAGED TO VISIT FIT'S SHANGHAI QUALITY CONTROL CENTER

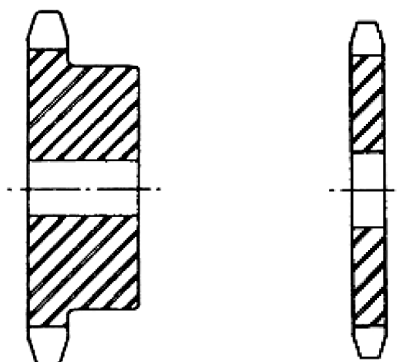


ISO 9001:2000	STYLE	TEETH	DIA.	BORE		HUB		WT.	ISO 9001:2000	STYLE	BORE	WT.	
Part Number	Bore	Quantity	Outside	Std.	Max.	Dia.	LTB	lbs	Part Number	Bore	Std.	lbs	
			inch										
			inch										
50B29	B	29	6.120	3/4	2	3 1/4	1 1/4	4.06	50A29	A	23/32	2.36	
50B30		30	6.320		2 1/4			4.56	50A30			2.54	
50B31		31	6.520		2 1/4			4.74	50A31			2.80	
50B32		32	6.720		2 1/4			4.96	50A32			2.72	
50B33		33	6.920		2 1/4			5.20	50A33			3.14	
50B34	B	34	7.120	3/4	2 1/4	3 1/4	1 1/4	5.14	50A34	A	23/32	3.20	
50B35		35	7.320					2 1/4	5.44			50A35	3.34
50B36		36	7.520					2 1/4	5.64			50A36	3.82
50B37		37	7.720					2 1/4	5.90			50A37	3.98
50B38		38	7.920					2 1/4	6.08			50A38	4.14
50B39	B	39	8.120	3/4	2 1/4	3 1/4	1 1/4	6.30	50A39	A	23/32	4.42	
50B40		40	8.320					2 1/4	6.50			50A40	4.46
50B41		41	8.520					2 1/4	6.64			50A41	4.86
50B42		42	8.720					2 1/4	7.06			50A42	4.98
50B43		43	8.910					2 1/4	7.58			50A43	5.24
50B44	B	44	9.110	3/4	2 1/4	3 1/4	1 1/4	8.58	50A44	A	23/32	5.42	
50B45		45	9.310	1	2 1/2			8.22	50A45			5.92	
50B46		46	9.510	1	2 1/2			8.48	50A46			6.42	
50B47		47	9.710	1	2 1/2			9.28	50A47			15/16	6.50
50B48		48	9.910	1	2 1/2			9.28	50A48			6.58	

GIVE US A CALL; WE CAN ASSIST YOU WITH QUOTES, SAMPLES, AND/OR QUESTIONS

CORPORATE - WEST COAST SALES
 47655 Warm Springs Blvd
 Fremont, CA 94539
 Toll Free: (800) 808-0348
 Phone: (510) 623-1688

MIDWEST SALES - DISTRIBUTION
 2800 Galvin Drive
 Elgin, IL 60124
 Toll Free: (877) 808-0348
 Phone: (847) 836-8200



ISO 9001:2000	STYLE	TEETH	DIA.	BORE		HUB		WT.	ISO 9001:2000	STYLE	BORE	WT.
Part Number	Bore	Quantity	Outside	Std.	Max.	Dia.	LTB	lbs	Part Number	Bore	Std.	lbs
			inch									
			inch									
50B49		49	10.110					9.22	50A49			7.06
50B50		50	10.310					9.88	50A50			7.10
50B51	B	51	10.510	1	2 1/2	3 3/4	1 1/4	9.70	50A51	A	15/16	7.32
50B52		52	10.710					10.24	50A52			7.98
50B53		53	10.910					10.48	50A53			8.08
50B54		54	11.110					11.00	50A54			8.30
50B55		55	11.310					10.93	50A55			8.56
50B56	B	56	11.500	1	2 1/2	3 3/4	1 1/4	11.50	50A56	A	15/16	8.90
50B57		57	11.700					12.00	50A57			9.38
50B58		58	11.900					11.82	50A58			10.30
50B59		59	12.100					12.32	50A59			10.50
50B60		60	12.300				1 1/4	13.00	50A60			10.80
50B70	B	70	14.290	1	2 1/2	3 3/4		18.16	50A70	A	15/16	14.00
50B72		72	14.690				1 3/4	19.48	50A72			15.24
50B76		76	15.486					21.00	50A76			20.08
50B80		80	16.280					24.74	50A80			21.00
50B84		84	17.080					25.50	50A84			22.08
50B95	B	95	19.270	1	2 3/4	4 1/4	1 3/4	32.00	50A95	A	15/16	27.00
50B96		96	19.470					32.92	50A96			27.40
50B112		112	22.650					42.00	50A112			37.70

FIT STRIVES FOR LONG-TERM, WIN-WIN BUSINESS RELATIONSHIPS

CORPORATE - WEST COAST SALES
 47655 Warm Springs Blvd
 Fremont, CA 94539
 Toll Free: (800) 808-0348
 Phone: (510) 623-1688

MIDWEST SALES - DISTRIBUTION
 2800 Galvin Drive
 Elgin, IL 60124
 Toll Free: (877) 808-0348
 Phone: (847) 836-8200